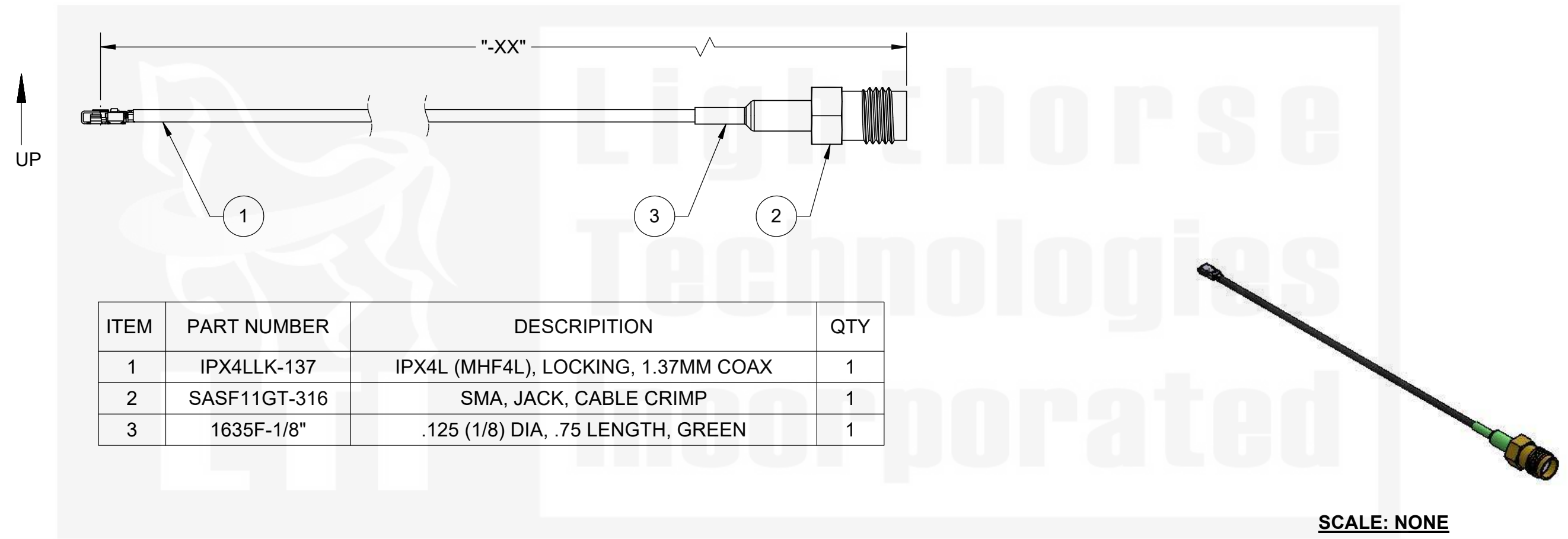


REVISIONS				
REV	ECR	DESCRIPTION	DRAWN	DATE
1		ENGINEERING RELEASE	P. BURDGE	11/10/2020

-XX IN THE ENDING OF THE CABLE PART NUMBER IS CALLING OUT THE LENGTH OF THE ASSEMBLY FROM CENTER TO MATING FLANGE OF CONNECTORS. EXAMPLES SHOWN BELOW:


LTI P/N: CB1.37-IPX4LLK-SAFGT-4IN (4 INCHES)
 CB1.37-IPX4LLK-SAFGT-6IN (6 INCHES)



ITEM	PART NUMBER	DESCRIPTION	QTY
1	IPX4LLK-137	IPX4L (MHF4L), LOCKING, 1.37MM COAX	1
2	SASF11GT-316	SMA, JACK, CABLE CRIMP	1
3	1635F-1/8"	.125 (1/8) DIA, .75 LENGTH, GREEN	1

IPX® AND MHF® ARE REGISTERED TRADEMARKS OF I-PEX CO., LTD. CORPORATION

DO NOT SCALE DRAWING	
TOLERANCES UNLESS OTHERWISE SPECIFIED	
DIMENSIONS ARE IN MILLIMETERS	
X	= ±0.5
X.X	= ±0.25
X.XX	= ±0.13
ANGLE	= ±30'
THIRD ANGLE PROJECTION	
CUSTOMER APPROVAL	
SIGN / DATE:	
ENG APPR.	
CHECKED	
DRAWN	P. BURDGE 11-10-2020
NAME	DATE

 Lighthouse Technologies San Diego, CA WWW.RFCONNECTOR.COM	
TITLE: CABLE ASSEMBLY, I-PEX LOCKING, (MHF4L) R/A JACK, CRIMP TO SMA, JACK, CABLE MNT, 1.37MM COAX	
SIZE	PART/DWG. NO: CB1.37-IPX4LLK-SAFGT-xxIN
REV	1
SCALE: 2:1	FILE NAME
SHEET 1 OF 1	

PROPRIETARY AND CONFIDENTIAL
 UNLESS OTHERWISE SPECIFIED: THIS DOCUMENT CONTAINS LIGHTHORSE TECHNOLOGIES INFORMATION. REPRODUCTION, USE, DISCLOSURE OR TRANSMITTAL OF ALL OR ANY PART OF THIS DOCUMENT IS PROHIBITED EXCEPT TO THE EXTENT APPROVED IN WRITING BY AN AUTHORIZED REPRESENTATIVE OF LIGHTHORSE TECHNOLOGIES. LIGHTHORSE TECHNOLOGIES RESERVES ALL RIGHTS UNDER PATENTS, TRADEMARKS, COPYRIGHTS AND TRADE SECRETS. COPY RIGHTS OF LIGHTHORSE TECHNOLOGIES 2011, ALL RIGHTS RESERVED.

