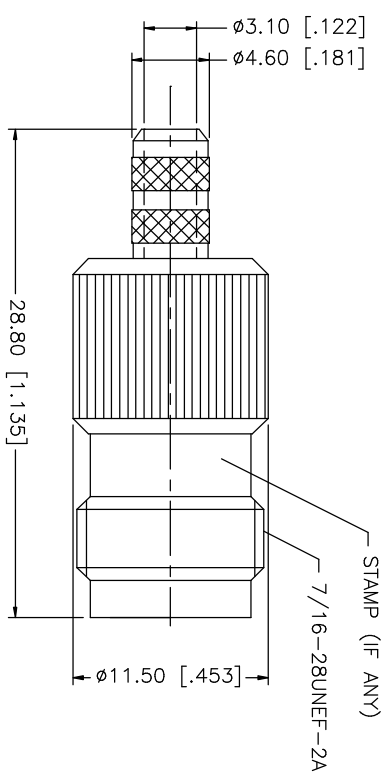
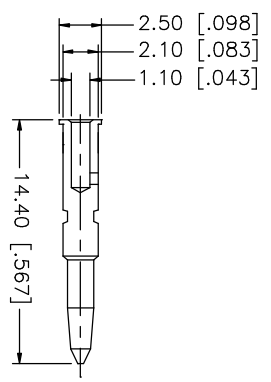
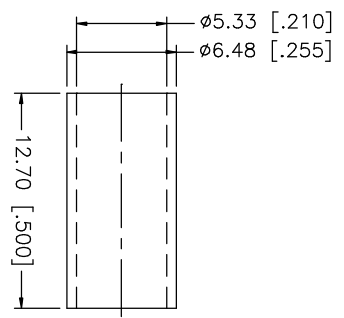
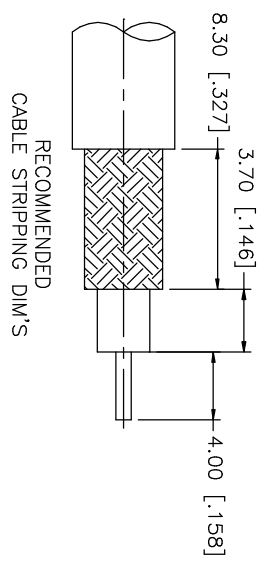


REV.	DATE	DESCRIPTION
A	09/01/98	MODIFY CONTACT I.D.
B	06/05/03	UPDATE DRAWING FORMAT



NOTE:
 1. CRIMPED FERRULE
 HEX CRIMP SIZE .213"
 2. CRIMPED CONTACT PIN
 HEX CRIMP SIZE .068"

UNLESS OTHERWISE SPECIFIED DIMENSIONS ARE IN MILLIMETERS. DIMENSIONS IN [] ARE IN INCHES AND FOR CUSTOMER REFERENCE ONLY.	UNLESS OTHERWISE SPECIFIED TOLERANCES FOR MILLIMETERS ARE:	UNLESS OTHERWISE SPECIFIED TOLERANCES FOR INCHES ARE:	APPROVALS	DATE	PART DESCRIPTION						
	0.5 - 8mm ± 0.20mm	.020 - .315 = ± 0.007"	DRAWN G.R.S.	06/05/03	Amphenol Connex TNC CRIMP JACK - REVERSE POLARIZED RG58/U CABLE PART NO. 122122RP						
	8 - 30mm ± 0.40mm	.315 - 1.180 = ± 0.015"	CHECKED								
	30 - 120mm ± 0.50mm	1.180 - 4.724 = ± 0.020"	ISSUED								
1			SHEET 1 OF 1								
2											
3											
DESCRIPTION	MATERIAL	FINISH	QTY	CAD FILE	DWG. NO.	REV.	NC	SIZE	A	SCALE	NA
				C:/122/122122RP.DWG	122122RP.DWG						