

THS4541RGT EVM User's Guide

The THS4541RGT EVM is an evaluation module for the single THS4541 amplifier in the RGT package. This evaluation module is designed to quickly and easily demonstrate the functionality and versatility of the amplifier. The EVM is ready to connect to power, signal source, and test instruments through the use of onboard connectors. The EVM comes configured for easy connection with common 50-Ω laboratory equipment on its inputs and outputs. The amplifier is configured for single-ended input with gain of 2 V/V to differential output at the device pins, which is converted to single-ended via a transformer to the output. It can be easily configured for other functions, gains, and single- or split-supply operation.

The THS4541RGT EVM has an on board load for the amplifier of 500 Ω. The output transformer and resistor network converts this to a 50 Ω single ended output.

Contents

1	Features.....	1
2	EVM Specifications	1
3	Power Connections	2
	3.1 Split-Supply Operation	2
	3.2 Single-Supply Operation	2
4	Input and Output Connections	2
	4.1 Vocm Input Connections	2
	4.2 \overline{PD} Input Connections	3
	4.3 Using the Optional Differential Outputs (J8, J9).....	3
5	THS4541RGT EVM Schematic, Layout, and Bill of Materials	4
	5.1 Schematic.....	4
	5.2 THS4541RGT EVM Layers.....	5
	5.3 Bill of Materials	9
1	Glossary.....	9

List of Figures

1	THS4541RGT EVM Schematic	4
2	THS4541RGT EVM Top Layer, Signal	5
3	THS4541RGT EVM Layer 2, Ground	6
4	THS4541RGT EVM Layer 3, Power	7
5	THS4541RGT EVM Bottom Layer.....	8

List of Tables

1	THS4541RGT EVM Bill of Materials	9
---	--	---

1 Features

- Configured for split-supply operation and easily modified for single supply
- Default gain of 2 configuration can easily be reconfigured for other gains
- Designed for easy connection to standard 50-Ω input/output impedance test equipment
- Inputs and outputs include SMA connectors

2 EVM Specifications

	Single-supply voltage range ($V_{S-} = \text{ground}$)	2.7 to 5.4 V
$V_{S\pm}$	Split-supply voltage range	± 1.35 to ± 2.7 V
$I_{S\pm}$	Supply current (no load)	10 mA
	Input voltage	$V_{S\pm}, \text{Max}$
I_{OUT}	Output drive	± 100 mA

3 Power Connections

The THS4541RGT EVM is equipped with banana jacks for easy connection of power. The positive supply input is red and is labeled V_{S+} . The negative supply input is green and is labeled V_{S-} . Ground is black and is labeled GND.

3.1 Split-Supply Operation

To operate as split supply, apply the positive supply voltage to V_{S+} , negative supply voltage to V_{S-} , and the ground reference from supply to GND.

3.2 Single-Supply Operation

To operate as single supply, connect the V_{S-} connector and the GND connector both to ground, and apply the positive supply voltage to V_{S+} . Inputs and outputs must be biased per data-sheet specifications for proper operation. The THS4541 output common mode voltage will default to mid supply if the Vocm connector is left floating. Make sure that R12 is not installed if the default Vocm is desired.

4 Input and Output Connections

The THS4541RGT EVM is equipped with SMA connectors for easy connection of signal generators and analysis equipment. As shipped, the EVM is configured for a gain of 2, split supply, single-ended input and output with 50- Ω termination. For best results, signals must be routed to and from the EVM with cables having 50- Ω characteristic impedance. Either V_{IN+} (J1) or V_{IN-} (J2) can be used for the input. The unused connector should be terminated with a 50 Ohm resistive SMA load. If no SMA load is available the spaces marked C12 or C13 can be loaded with a 0- Ω resistor to terminate the unused input. V_{OUT+} (J10) is the output connector for single-ended output signals. The amplifier converts the single-ended input to a differential signal at its output pins. A resistor network (R13, R14, R15) and transformer on the amplifier's output convert the differential signal to single-ended, and provides 500- Ω load to the amplifier when terminated in 50 Ω . A 50- Ω line impedance match at V_{OUT+} should be preserved. This results in an output measurement loss, and the overall gain is approximately -20 dB. See the following THS4541 data-sheet applications section, schematics, and layouts for more detail and how to reconfigure the EVM.

4.1 Vocm Input Connections

The Vocm input (J7) is optional. This input will set the common mode of the output pins. The THS4541 will automatically self bias the output pins to the mid supply voltage if the Vocm pin is not connected. This is the optimal voltage for maximum output swing and best linearity.

It's valid range is 0.9V above the negative supply to 1.2V below the positive supply. For example, on a ± 2.5 V split supply the Vocm pin can be set anywhere from -1.6V to 1.3V. With a single 5V supply the valid range would be 0.9V to 3.8V. One thing to keep in mind is that the outputs of the THS4541 can swing from rail to rail, however the maximum output swing available will be reduced when the Vocm pin is set to a voltage other than mid supply .

The resistor R12 is used only when it is desired to provide a load for the Vocm input signal source. It should not be used otherwise. The board is shipped with R12 unpopulated.

4.2 \overline{PD} Input Connections

The \overline{PD} connector (J6) allows the THS4541 to be disabled. A signal for the power down function can be applied through the SMA connector for high speed testing. Normally the jumper JP1 is used to enable or disable (Power Down) the amplifier. When the shorting block is connected to Vs+ the amplifier is NOT Powered Down, so it is enabled. When the shorting block is connected to Vs- the amplifier is powered down.

For high speed testing the resistor R9 is provided to terminate the \overline{PD} SMA. If R9 is installed the shorting block should be removed from JP1. Because R9 terminates to the ground and not to the supplies the state of the amplifier will be undefined when the signal source is disconnected. For this reason R9 should only be used when driving the SMA connector with a high speed, controlled impedance source.

4.3 Using the Optional Differential Outputs (J8, J9)

The THS4541RGT EVM can be reconfigured for fully differential outputs. By removing resistors R13 and R14 the balun circuit is disconnected from the amplifier output. If 50- Ω resistors are loaded in the R16 and R17 resistor positions the J8 and J9 connectors can be used for fully differential output signals. If 50- Ω test equipment is connected to J8 and J9 the total load to the amplifier is 200 Ohms. The datasheet specifications were produced with a 500- Ω load. In order to match a 500- Ω load, R16 and R17 should be loaded with 221- Ω resistors, and then 60.4- Ω resistors need to be soldered to ground on the SMA side of the output transmission line. There are no spaces for these resistors, so the green solder mask must be scraped from the transmission line and the ground layer in order to make a space to solder these resistors. The resistors should be soldered near the "R" for R16 and near the "7" for R17. Placement is not critical but it should be close to the THS4541 outputs instead of near the SMA connectors

5 THS4541RGT EVM Schematic, Layout, and Bill of Materials

5.1 Schematic

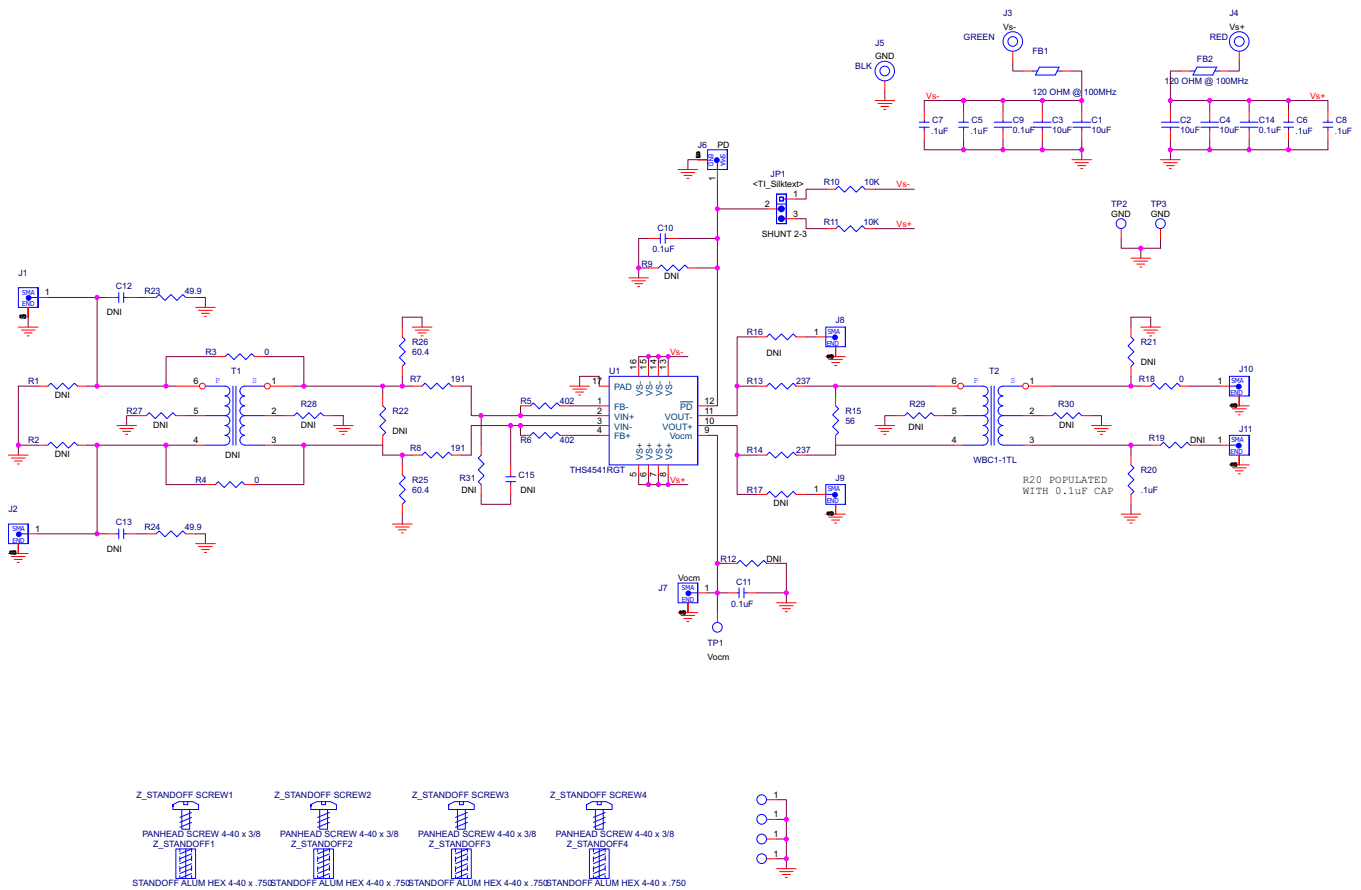


Figure 1. THS4541RGT EVM Schematic

5.2 THS4541RGT EVM Layers

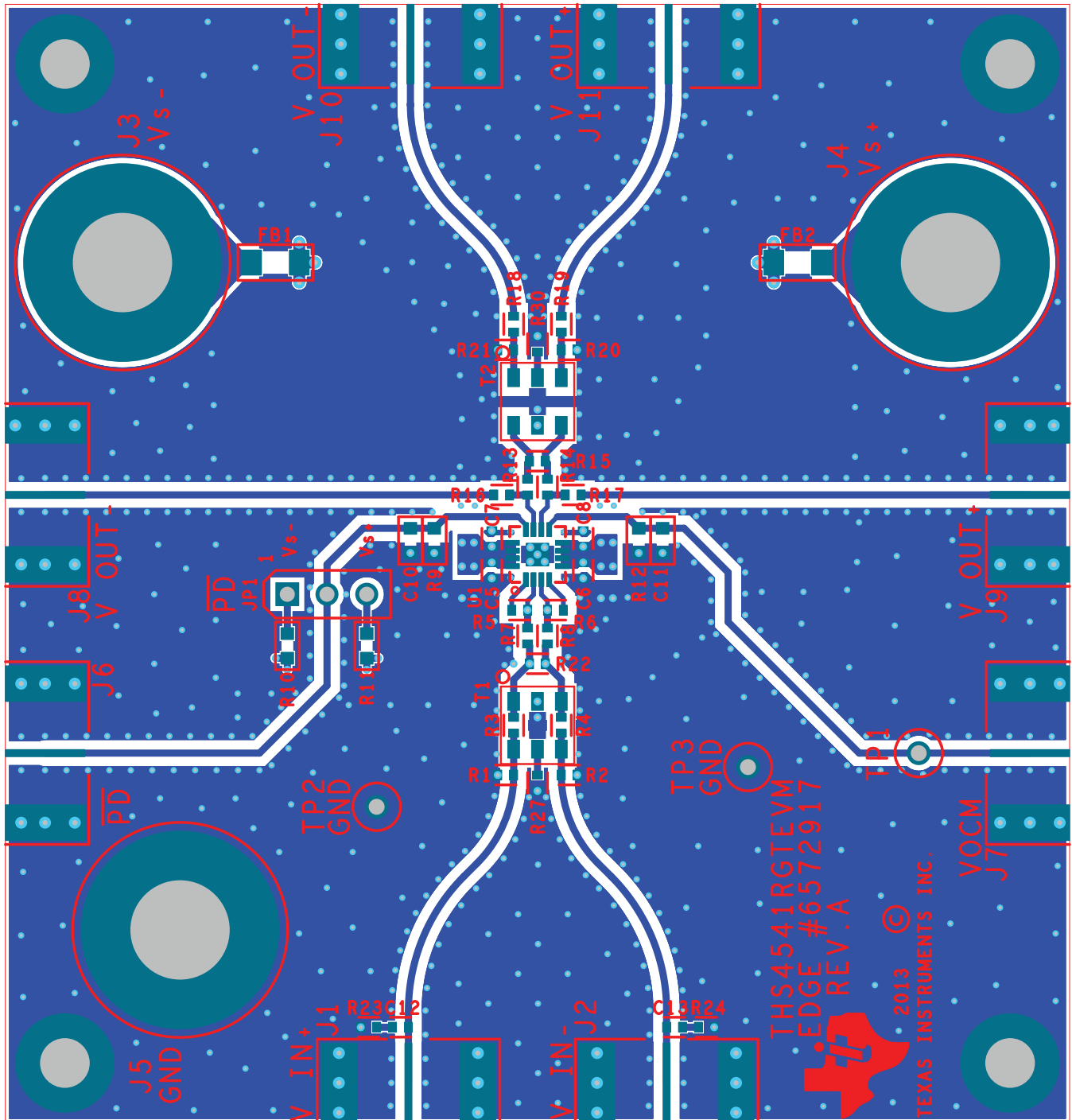


Figure 2. THS4541RGT EVM Top Layer, Signal

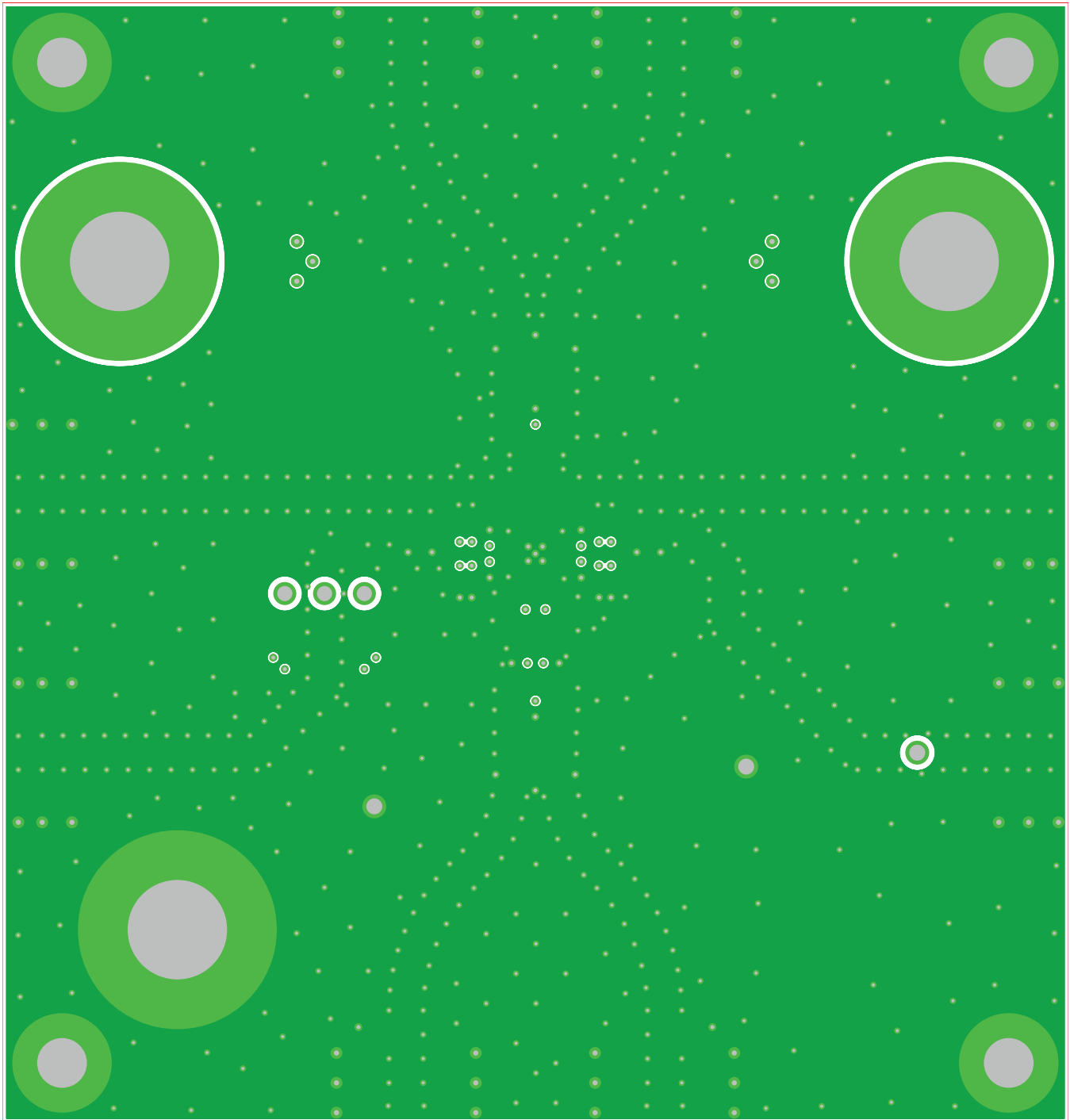


Figure 3. THS4541RGT EVM Layer 2, Ground

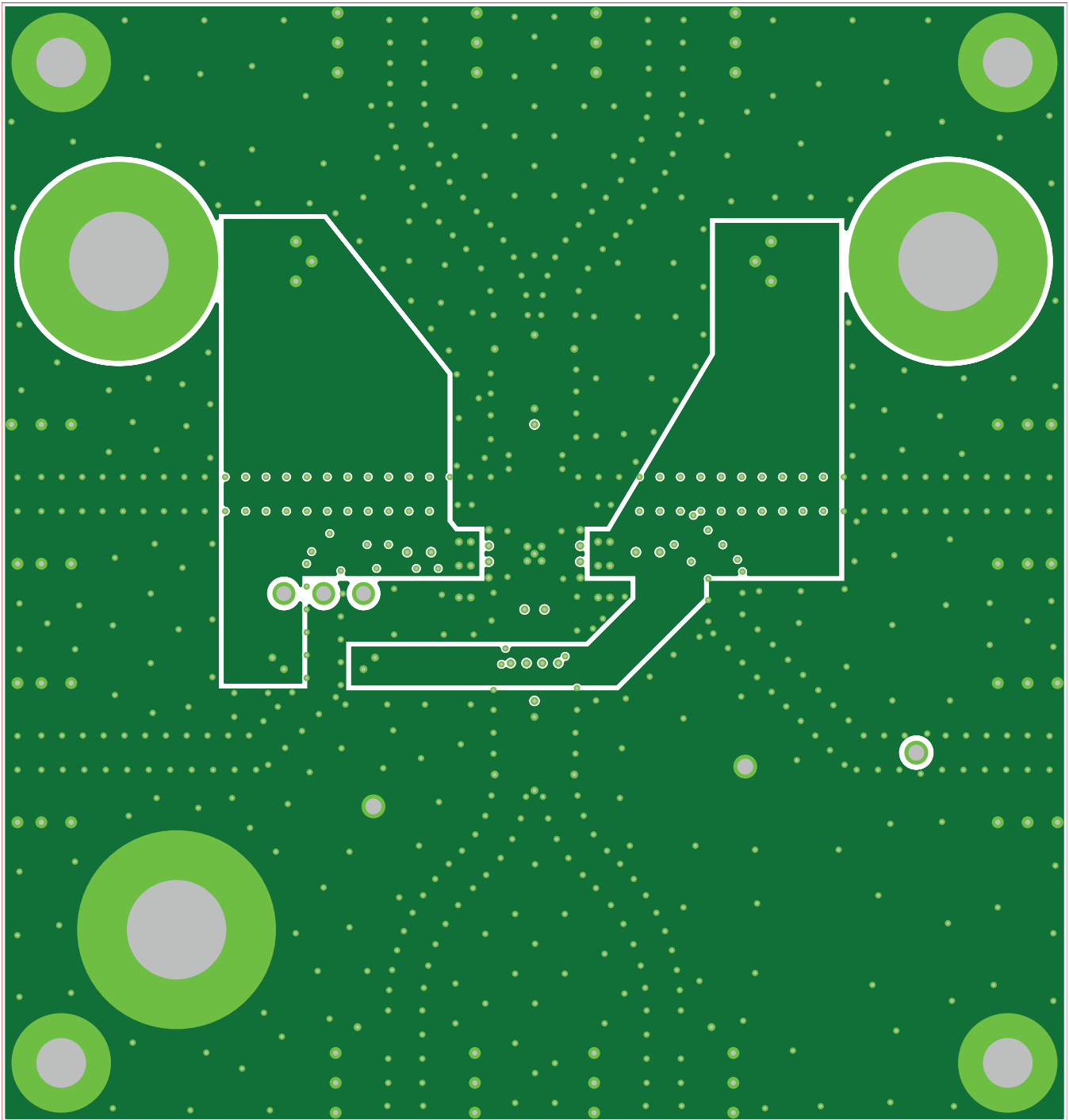


Figure 4. THS4541RGT EVM Layer 3, Power

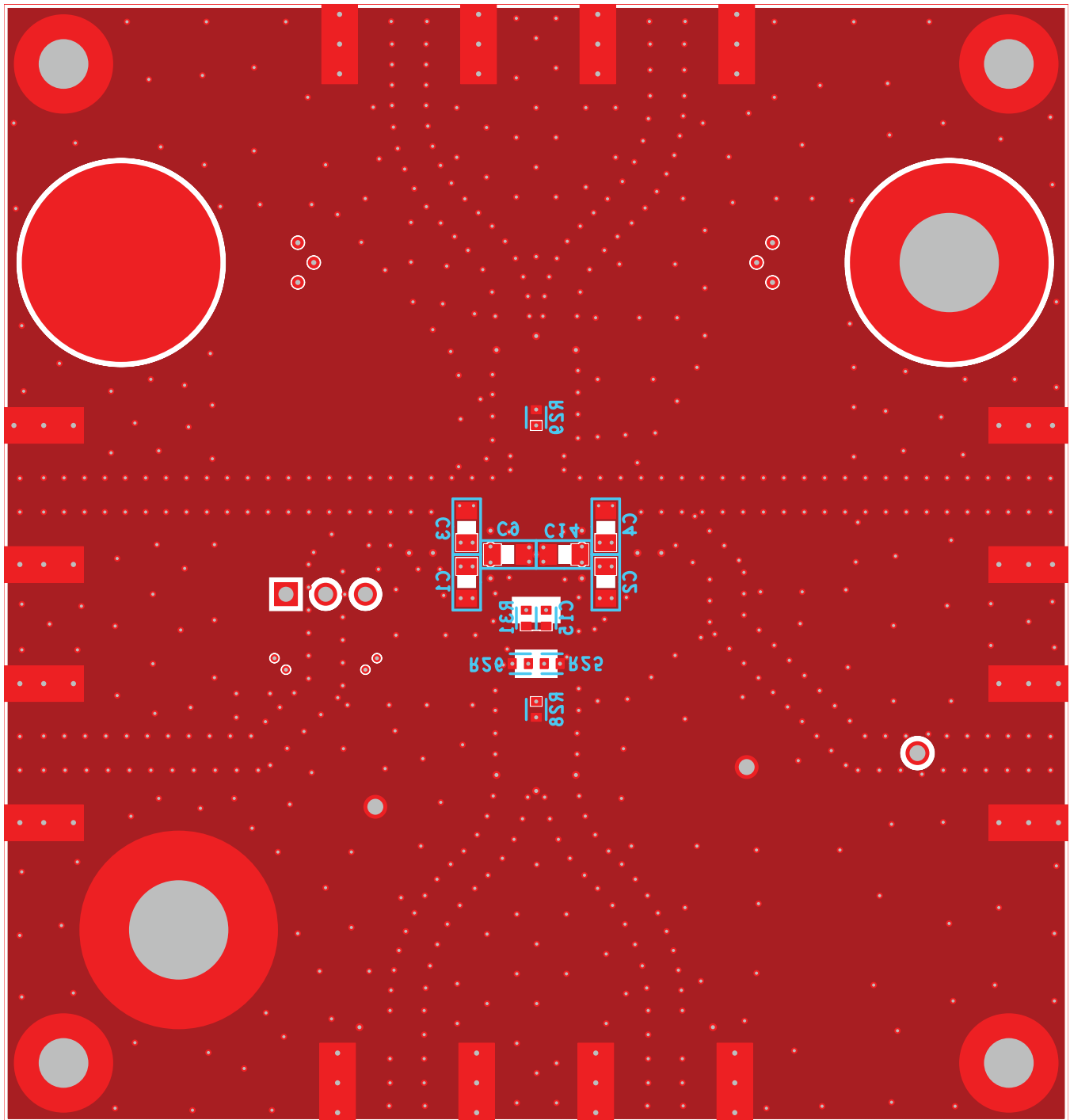


Figure 5. THS4541RGT EVM Bottom Layer

5.3 Bill of Materials

Table 1. THS4541RGT EVM Bill of Materials

Item	Manufacturer	Quantity	Part Reference	Value	Part Number	Footprint	Note
1	Kemet	4	C1, C2, C3, C4	10uF	C0805C106K8RACTU	0805	
2	MURATA	4	C5, C6, C7, C8	.1uF	GRM155R61A104KA01D	0402	
3	AVX	2	C9, C14	0.1uF	08055C104KAT2A	0805	
4	AVX	2	C10, C11	0.1uF	0603YC104KAT2A	0603	
5	MURATA	3	C12, C13, C15	.1uF	GRM155R61A104KA01D_DNI	0402	DNI
6	MURATA	2	FB1, FB2	120 OHM @ 100MHz	BLM31PG121SN1	1206	
7	Johnson Components	8	J1, J2, J6, J7, J8, J9, J10, J11	SMA_END_JACK_RND	142-0701-801	SMA_SMEL_373x312	
8	SPC Technology	1	J3	GREEN	845-G	CON_THVT_BANANA_JACK_250DIA	
9	SPC Technology	1	J4	RED	845-R	CON_THVT_BANANA_JACK_250DIA	
10	SPC Technology	1	J5	BLK	845-B	CON_THVT_BANANA_JACK_250DIA	
11	SAMTEC	1	JP1	HEADER_1x3_100_430L	HMTSW-103-07-G-S-.240	HDR_THVT_1x3_100_M	SHUNT 2-3
12		4	MTG1, MTG2, MTG3, MTG4	MTG125_PTH		MTG125_PTH	
13	PANASONIC	8	R1, R2, R21, R22, R27, R28, R30, R31	0	ERJ-2GE0R00X_DNI	0402	DNI
14	PANASONIC	3	R3, R4, R18	0	ERJ-2GE0R00X	0402	
15	PANASONIC	2	R5, R6	402	ERJ-2RKF4020X	0402	
16	PANASONIC	2	R7, R8	191	ERJ-2RKF1910X	0402	
17	PANASONIC	1	R9	Res_0603_Zero_H_DNI		0603	DNI
18	PANASONIC	2	R10, R11	10K	ERJ-3EKF1002V	0603	
19	PANASONIC	1	R12	49.9	ERJ-3EKF49R9V_DNI	0603	DNI
20	PANASONIC	2	R13, R14	237	ERJ-2RKF2370X	0402	
21	PANASONIC	1	R15	56	ERJ-2RKF56R0X	0402	
22	PANASONIC	4	R16, R17, R18, R19	49.9	ERJ-2RKF49R9X_DNI	0402	DNI
23	MURATA	1	R20	.1uF	GRM155R61A104KA01D	0402	CAP PLACE FOR R20
24	PANASONIC	2	R23, R24	49.9	ERJ-2RKF49R9X	0402	
25	PANASONIC	2	R25, R26	60.4	ERJ-2RKF60R4X	0402	
26	Coilcraft	1	T1	WBC1-1TL	WBC1-1TL_DNI	XFMR_6_165X175_60	DNI
27	Coilcraft	1	T2	WBC1-1TL	WBC1-1TL	XFMR_6_165X175_60	
28	Keystone	1	TP1	TP_THVT_060_RND-RED	5000	TP_THVT_060_RND	
29	Keystone	2	TP2, TP3	TP_THVT_060_RND-BLK	5001	TP_THVT_060_RND	
30	Texas Instruments	1	U1	THS4541RGT	THS4541RGT	QFN_16_124x124_pwrpad	
31	Keltron	1	Z_SHUNT-H1	SHUNT-HEADER	MJ-5.97-G or equivalent		SHUNT FOR HEADER
32	Building Fasteners	4	Z_STANDOFF SCREW1-Z_STANDOFF SCREW4	PANHEAD SCREW 4-40 x 3/8	PMS 440 0038 PH		SCREW FOR STANDOFF
33	Keystone	4	Z_STANDOFF1-Z_STANDOFF4	STANDOFF ALUM HEX 4-40 x .750	2204		STANDOFF

1 Glossary

[SLYZ022](#) — TI Glossary.

This glossary lists and explains terms, acronyms, and definitions.

ADDITIONAL TERMS AND CONDITIONS, WARNINGS, RESTRICTIONS, AND DISCLAIMERS FOR EVALUATION MODULES

Texas Instruments Incorporated (TI) markets, sells, and loans all evaluation boards, kits, and/or modules (EVMs) pursuant to, and user expressly acknowledges, represents, and agrees, and takes sole responsibility and risk with respect to, the following:

1. User agrees and acknowledges that EVMs are intended to be handled and used for feasibility evaluation only in laboratory and/or development environments. Notwithstanding the foregoing, in certain instances, TI makes certain EVMs available to users that do not handle and use EVMs solely for feasibility evaluation only in laboratory and/or development environments, but may use EVMs in a hobbyist environment. All EVMs made available to hobbyist users are FCC certified, as applicable. Hobbyist users acknowledge, agree, and shall comply with all applicable terms, conditions, warnings, and restrictions in this document and are subject to the disclaimer and indemnity provisions included in this document.
2. Unless otherwise indicated, EVMs are not finished products and not intended for consumer use. EVMs are intended solely for use by technically qualified electronics experts who are familiar with the dangers and application risks associated with handling electrical mechanical components, systems, and subsystems.
3. User agrees that EVMs shall not be used as, or incorporated into, all or any part of a finished product.
4. User agrees and acknowledges that certain EVMs may not be designed or manufactured by TI.
5. User must read the user's guide and all other documentation accompanying EVMs, including without limitation any warning or restriction notices, prior to handling and/or using EVMs. Such notices contain important safety information related to, for example, temperatures and voltages. For additional information on TI's environmental and/or safety programs, please visit www.ti.com/esh or contact TI.
6. User assumes all responsibility, obligation, and any corresponding liability for proper and safe handling and use of EVMs.
7. Should any EVM not meet the specifications indicated in the user's guide or other documentation accompanying such EVM, the EVM may be returned to TI within 30 days from the date of delivery for a full refund. THE FOREGOING LIMITED WARRANTY IS THE EXCLUSIVE WARRANTY MADE BY TI TO USER AND IS IN LIEU OF ALL OTHER WARRANTIES, EXPRESSED, IMPLIED, OR STATUTORY, INCLUDING ANY WARRANTY OF MERCHANTABILITY OR FITNESS FOR ANY PARTICULAR PURPOSE. TI SHALL NOT BE LIABLE TO USER FOR ANY INDIRECT, SPECIAL, INCIDENTAL, OR CONSEQUENTIAL DAMAGES RELATED TO THE HANDLING OR USE OF ANY EVM.
8. No license is granted under any patent right or other intellectual property right of TI covering or relating to any machine, process, or combination in which EVMs might be or are used. TI currently deals with a variety of customers, and therefore TI's arrangement with the user is not exclusive. TI assumes no liability for applications assistance, customer product design, software performance, or infringement of patents or services with respect to the handling or use of EVMs.
9. User assumes sole responsibility to determine whether EVMs may be subject to any applicable federal, state, or local laws and regulatory requirements (including but not limited to U.S. Food and Drug Administration regulations, if applicable) related to its handling and use of EVMs and, if applicable, compliance in all respects with such laws and regulations.
10. User has sole responsibility to ensure the safety of any activities to be conducted by it and its employees, affiliates, contractors or designees, with respect to handling and using EVMs. Further, user is responsible to ensure that any interfaces (electronic and/or mechanical) between EVMs and any human body are designed with suitable isolation and means to safely limit accessible leakage currents to minimize the risk of electrical shock hazard.
11. User shall employ reasonable safeguards to ensure that user's use of EVMs will not result in any property damage, injury or death, even if EVMs should fail to perform as described or expected.
12. User shall be solely responsible for proper disposal and recycling of EVMs consistent with all applicable federal, state, and local requirements.

Certain Instructions. User shall operate EVMs within TI's recommended specifications and environmental considerations per the user's guide, accompanying documentation, and any other applicable requirements. Exceeding the specified ratings (including but not limited to input and output voltage, current, power, and environmental ranges) for EVMs may cause property damage, personal injury or death. If there are questions concerning these ratings, user should contact a TI field representative prior to connecting interface electronics including input power and intended loads. Any loads applied outside of the specified output range may result in unintended and/or inaccurate operation and/or possible permanent damage to the EVM and/or interface electronics. Please consult the applicable EVM user's guide prior to connecting any load to the EVM output. If there is uncertainty as to the load specification, please contact a TI field representative. During normal operation, some circuit components may have case temperatures greater than 60°C as long as the input and output are maintained at a normal ambient operating temperature. These components include but are not limited to linear regulators, switching transistors, pass transistors, and current sense resistors which can be identified using EVMs' schematics located in the applicable EVM user's guide. When placing measurement probes near EVMs during normal operation, please be aware that EVMs may become very warm. As with all electronic evaluation tools, only qualified personnel knowledgeable in electronic measurement and diagnostics normally found in development environments should use EVMs.

Agreement to Defend, Indemnify and Hold Harmless. User agrees to defend, indemnify, and hold TI, its directors, officers, employees, agents, representatives, affiliates, licensors and their representatives harmless from and against any and all claims, damages, losses, expenses, costs and liabilities (collectively, "Claims") arising out of, or in connection with, any handling and/or use of EVMs. User's indemnity shall apply whether Claims arise under law of tort or contract or any other legal theory, and even if EVMs fail to perform as described or expected.

Safety-Critical or Life-Critical Applications. If user intends to use EVMs in evaluations of safety critical applications (such as life support), and a failure of a TI product considered for purchase by user for use in user's product would reasonably be expected to cause severe personal injury or death such as devices which are classified as FDA Class III or similar classification, then user must specifically notify TI of such intent and enter into a separate Assurance and Indemnity Agreement.

RADIO FREQUENCY REGULATORY COMPLIANCE INFORMATION FOR EVALUATION MODULES

Texas Instruments Incorporated (TI) evaluation boards, kits, and/or modules (EVMs) and/or accompanying hardware that is marketed, sold, or loaned to users may or may not be subject to radio frequency regulations in specific countries.

General Statement for EVMs Not Including a Radio

For EVMs not including a radio and not subject to the U.S. Federal Communications Commission (FCC) or Industry Canada (IC) regulations, TI intends EVMs to be used only for engineering development, demonstration, or evaluation purposes. EVMs are not finished products typically fit for general consumer use. EVMs may nonetheless generate, use, or radiate radio frequency energy, but have not been tested for compliance with the limits of computing devices pursuant to part 15 of FCC or the ICES-003 rules. Operation of such EVMs may cause interference with radio communications, in which case the user at his own expense will be required to take whatever measures may be required to correct this interference.

General Statement for EVMs including a radio

User Power/Frequency Use Obligations: For EVMs including a radio, the radio included in such EVMs is intended for development and/or professional use only in legally allocated frequency and power limits. Any use of radio frequencies and/or power availability in such EVMs and their development application(s) must comply with local laws governing radio spectrum allocation and power limits for such EVMs. It is the user's sole responsibility to only operate this radio in legally acceptable frequency space and within legally mandated power limitations. Any exceptions to this are strictly prohibited and unauthorized by TI unless user has obtained appropriate experimental and/or development licenses from local regulatory authorities, which is the sole responsibility of the user, including its acceptable authorization.

U.S. Federal Communications Commission Compliance

For EVMs Annotated as FCC – FEDERAL COMMUNICATIONS COMMISSION Part 15 Compliant

Caution

This device complies with part 15 of the FCC Rules. Operation is subject to the following two conditions: (1) This device may not cause harmful interference, and (2) this device must accept any interference received, including interference that may cause undesired operation. Changes or modifications could void the user's authority to operate the equipment.

FCC Interference Statement for Class A EVM devices

This equipment has been tested and found to comply with the limits for a Class A digital device, pursuant to part 15 of the FCC Rules. These limits are designed to provide reasonable protection against harmful interference when the equipment is operated in a commercial environment. This equipment generates, uses, and can radiate radio frequency energy and, if not installed and used in accordance with the instruction manual, may cause harmful interference to radio communications. Operation of this equipment in a residential area is likely to cause harmful interference in which case the user will be required to correct the interference at its own expense.

FCC Interference Statement for Class B EVM devices

This equipment has been tested and found to comply with the limits for a Class B digital device, pursuant to part 15 of the FCC Rules. These limits are designed to provide reasonable protection against harmful interference in a residential installation. This equipment generates, uses and can radiate radio frequency energy and, if not installed and used in accordance with the instructions, may cause harmful interference to radio communications. However, there is no guarantee that interference will not occur in a particular installation. If this equipment does cause harmful interference to radio or television reception, which can be determined by turning the equipment off and on, the user is encouraged to try to correct the interference by one or more of the following measures:

- Reorient or relocate the receiving antenna.
- Increase the separation between the equipment and receiver.
- Connect the equipment into an outlet on a circuit different from that to which the receiver is connected.
- Consult the dealer or an experienced radio/TV technician for help.

Industry Canada Compliance (English)

For EVMs Annotated as IC – INDUSTRY CANADA Compliant:

This Class A or B digital apparatus complies with Canadian ICES-003.

Changes or modifications not expressly approved by the party responsible for compliance could void the user's authority to operate the equipment.

Concerning EVMs Including Radio Transmitters

This device complies with Industry Canada licence-exempt RSS standard(s). Operation is subject to the following two conditions: (1) this device may not cause interference, and (2) this device must accept any interference, including interference that may cause undesired operation of the device.

Concerning EVMs Including Detachable Antennas

Under Industry Canada regulations, this radio transmitter may only operate using an antenna of a type and maximum (or lesser) gain approved for the transmitter by Industry Canada. To reduce potential radio interference to other users, the antenna type and its gain should be so chosen that the equivalent isotropically radiated power (e.i.r.p.) is not more than that necessary for successful communication.

This radio transmitter has been approved by Industry Canada to operate with the antenna types listed in the user guide with the maximum permissible gain and required antenna impedance for each antenna type indicated. Antenna types not included in this list, having a gain greater than the maximum gain indicated for that type, are strictly prohibited for use with this device.

Canada Industry Canada Compliance (French)

Cet appareil numérique de la classe A ou B est conforme à la norme NMB-003 du Canada

Les changements ou les modifications pas expressément approuvés par la partie responsable de la conformité ont pu vider l'autorité de l'utilisateur pour actionner l'équipement.

Concernant les EVMs avec appareils radio

Le présent appareil est conforme aux CNR d'Industrie Canada applicables aux appareils radio exempts de licence. L'exploitation est autorisée aux deux conditions suivantes : (1) l'appareil ne doit pas produire de brouillage, et (2) l'utilisateur de l'appareil doit accepter tout brouillage radioélectrique subi, même si le brouillage est susceptible d'en compromettre le fonctionnement.

Concernant les EVMs avec antennes détachables

Conformément à la réglementation d'Industrie Canada, le présent émetteur radio peut fonctionner avec une antenne d'un type et d'un gain maximal (ou inférieur) approuvé pour l'émetteur par Industrie Canada. Dans le but de réduire les risques de brouillage radioélectrique à l'intention des autres utilisateurs, il faut choisir le type d'antenne et son gain de sorte que la puissance isotrope rayonnée équivalente (p.i.r.e.) ne dépasse pas l'intensité nécessaire à l'établissement d'une communication satisfaisante.

Le présent émetteur radio a été approuvé par Industrie Canada pour fonctionner avec les types d'antenne énumérés dans le manuel d'usage et ayant un gain admissible maximal et l'impédance requise pour chaque type d'antenne. Les types d'antenne non inclus dans cette liste, ou dont le gain est supérieur au gain maximal indiqué, sont strictement interdits pour l'exploitation de l'émetteur.

Mailing Address: Texas Instruments, Post Office Box 655303, Dallas, Texas 75265
Copyright © 2014, Texas Instruments Incorporated

Important Notice for Users of EVMs Considered “Radio Frequency Products” in Japan

EVMs entering Japan are NOT certified by TI as conforming to Technical Regulations of Radio Law of Japan.

If user uses EVMs in Japan, user is required by Radio Law of Japan to follow the instructions below with respect to EVMs:

1. Use EVMs in a shielded room or any other test facility as defined in the notification #173 issued by Ministry of Internal Affairs and Communications on March 28, 2006, based on Sub-section 1.1 of Article 6 of the Ministry's Rule for Enforcement of Radio Law of Japan,
2. Use EVMs only after user obtains the license of Test Radio Station as provided in Radio Law of Japan with respect to EVMs, or
3. Use of EVMs only after user obtains the Technical Regulations Conformity Certification as provided in Radio Law of Japan with respect to EVMs. Also, do not transfer EVMs, unless user gives the same notice above to the transferee. Please note that if user does not follow the instructions above, user will be subject to penalties of Radio Law of Japan.

<http://www.tij.co.jp>

【無線電波を送信する製品の開発キットをお使いになる際の注意事項】本開発キットは技術基準適合証明を受けておりません。本製品のご使用に際しては、電波法遵守のため、以下のいずれかの措置を取っていただく必要がありますのでご注意ください。

1. 電波法施行規則第6条第1項第1号に基づく平成18年3月28日総務省告示第173号で定められた電波暗室等の試験設備でご使用いただく。
2. 実験局の免許を取得後ご使用いただく。
3. 技術基準適合証明を取得後ご使用いただく。。

なお、本製品は、上記の「ご使用にあたっての注意」を譲渡先、移転先に通知しない限り、譲渡、移転できないものとします

上記を遵守頂けない場合は、電波法の罰則が適用される可能性があることをご留意ください。

日本テキサス・インスツルメンツ株式会社

東京都新宿区西新宿6丁目24番1号

西新宿三井ビル

<http://www.tij.co.jp>

Texas Instruments Japan Limited

(address) 24-1, Nishi-Shinjuku 6 chome, Shinjuku-ku, Tokyo, Japan

IMPORTANT NOTICE

Texas Instruments Incorporated and its subsidiaries (TI) reserve the right to make corrections, enhancements, improvements and other changes to its semiconductor products and services per JESD46, latest issue, and to discontinue any product or service per JESD48, latest issue. Buyers should obtain the latest relevant information before placing orders and should verify that such information is current and complete. All semiconductor products (also referred to herein as "components") are sold subject to TI's terms and conditions of sale supplied at the time of order acknowledgment.

TI warrants performance of its components to the specifications applicable at the time of sale, in accordance with the warranty in TI's terms and conditions of sale of semiconductor products. Testing and other quality control techniques are used to the extent TI deems necessary to support this warranty. Except where mandated by applicable law, testing of all parameters of each component is not necessarily performed.

TI assumes no liability for applications assistance or the design of Buyers' products. Buyers are responsible for their products and applications using TI components. To minimize the risks associated with Buyers' products and applications, Buyers should provide adequate design and operating safeguards.

TI does not warrant or represent that any license, either express or implied, is granted under any patent right, copyright, mask work right, or other intellectual property right relating to any combination, machine, or process in which TI components or services are used. Information published by TI regarding third-party products or services does not constitute a license to use such products or services or a warranty or endorsement thereof. Use of such information may require a license from a third party under the patents or other intellectual property of the third party, or a license from TI under the patents or other intellectual property of TI.

Reproduction of significant portions of TI information in TI data books or data sheets is permissible only if reproduction is without alteration and is accompanied by all associated warranties, conditions, limitations, and notices. TI is not responsible or liable for such altered documentation. Information of third parties may be subject to additional restrictions.

Resale of TI components or services with statements different from or beyond the parameters stated by TI for that component or service voids all express and any implied warranties for the associated TI component or service and is an unfair and deceptive business practice. TI is not responsible or liable for any such statements.

Buyer acknowledges and agrees that it is solely responsible for compliance with all legal, regulatory and safety-related requirements concerning its products, and any use of TI components in its applications, notwithstanding any applications-related information or support that may be provided by TI. Buyer represents and agrees that it has all the necessary expertise to create and implement safeguards which anticipate dangerous consequences of failures, monitor failures and their consequences, lessen the likelihood of failures that might cause harm and take appropriate remedial actions. Buyer will fully indemnify TI and its representatives against any damages arising out of the use of any TI components in safety-critical applications.

In some cases, TI components may be promoted specifically to facilitate safety-related applications. With such components, TI's goal is to help enable customers to design and create their own end-product solutions that meet applicable functional safety standards and requirements. Nonetheless, such components are subject to these terms.

No TI components are authorized for use in FDA Class III (or similar life-critical medical equipment) unless authorized officers of the parties have executed a special agreement specifically governing such use.

Only those TI components which TI has specifically designated as military grade or "enhanced plastic" are designed and intended for use in military/aerospace applications or environments. Buyer acknowledges and agrees that any military or aerospace use of TI components which have **not** been so designated is solely at the Buyer's risk, and that Buyer is solely responsible for compliance with all legal and regulatory requirements in connection with such use.

TI has specifically designated certain components as meeting ISO/TS16949 requirements, mainly for automotive use. In any case of use of non-designated products, TI will not be responsible for any failure to meet ISO/TS16949.

Products

Audio	www.ti.com/audio
Amplifiers	amplifier.ti.com
Data Converters	dataconverter.ti.com
DLP® Products	www.dlp.com
DSP	dsp.ti.com
Clocks and Timers	www.ti.com/clocks
Interface	interface.ti.com
Logic	logic.ti.com
Power Mgmt	power.ti.com
Microcontrollers	microcontroller.ti.com
RFID	www.ti-rfid.com
OMAP Applications Processors	www.ti.com/omap
Wireless Connectivity	www.ti.com/wirelessconnectivity

Applications

Automotive and Transportation	www.ti.com/automotive
Communications and Telecom	www.ti.com/communications
Computers and Peripherals	www.ti.com/computers
Consumer Electronics	www.ti.com/consumer-apps
Energy and Lighting	www.ti.com/energy
Industrial	www.ti.com/industrial
Medical	www.ti.com/medical
Security	www.ti.com/security
Space, Avionics and Defense	www.ti.com/space-avionics-defense
Video and Imaging	www.ti.com/video

TI E2E Community

e2e.ti.com