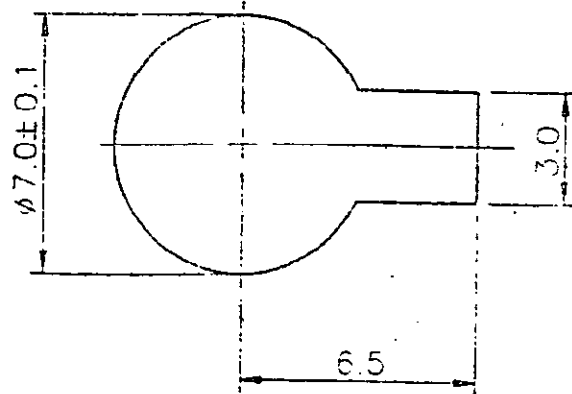


PANEL HOLE SIZE

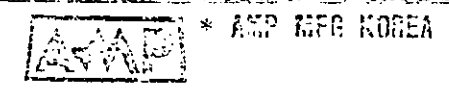


PANEL THICKNESS : 0.7 - 1.6 mm

CONTROLLED
CONTROLLED
控制图

B	REVISED(P93-028)	EH	JK	3/23/95	
A	REVISED	JK	CS	10/20/95	
O	RELEASED	JK	CS	10/25/95	
LTR	REVISION RECORD	DR	CHK	DATE	

© 19 AMP MFG KOREA
ALL RIGHT RESERVED AMP PRODUCTS COVERED BY PATENTS
AND OR PATENTS PENDING



WIRE RANGE	INSULATION DIA	NAME			
		CLIP HSG FOR 070 & EJ MK-II+			
MATERIAL	FINISH/COLOR	TOLERANCES	SIZE	LOC	NO
NYLON 66	BLACK	0 < XX < 10 ± 0.2 10 ≤ XX < 30 ± 0.25 30 ≤ XX < 100 ± 0.3 ANGLES ± 3	A3	DS	85000-1
DR EH HONG	APP CS LEE	SCALE	REV	SHEET	
CHK JK SONG	REL JK SONG	5/1	B	1/1	

DO NOT SCALE PRINT

PRINT DIST.

Attachment 2