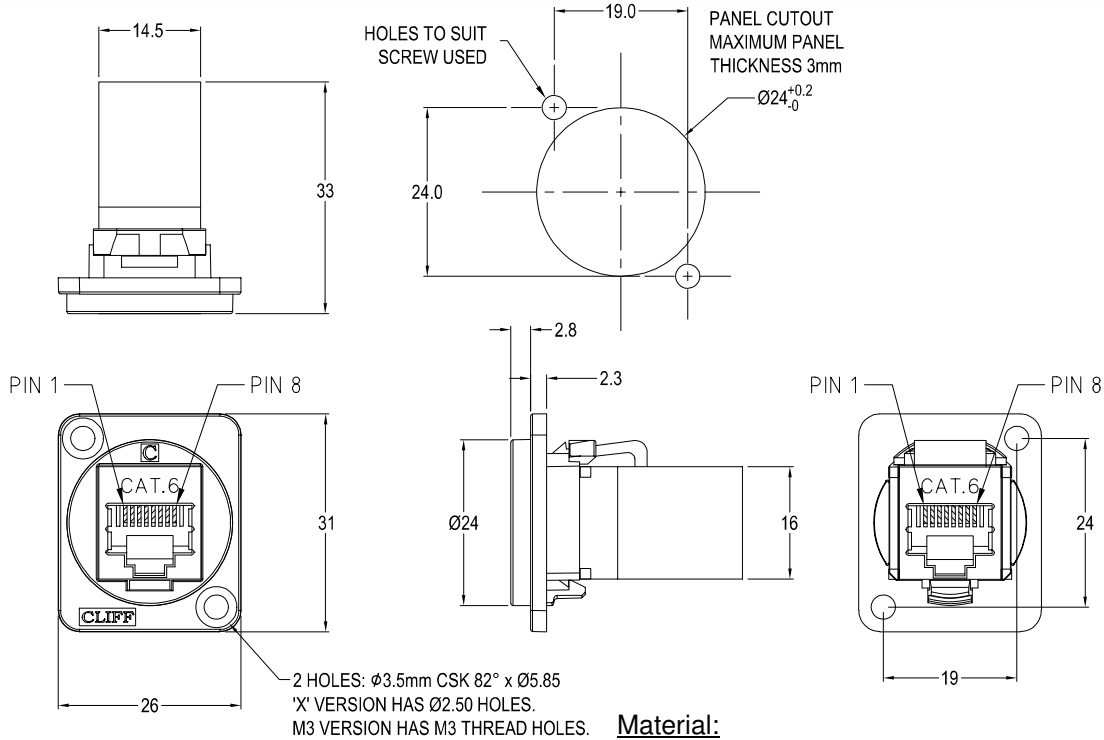


CLIFF

CAT.6 RJ45 SHIELDED FEEDTHROUGH CONNECTOR



Feedthrough Features

- Fits standard XLR Ø24mm cutout.
- No soldering or punch termination. Use standard cable for each connector style.
- Front or rear mounted.
- Low rear profile

General:

Please note: Functionality is affected by cable quality, length and cable wiring configuration.

Other models available:

Part No.

CP30222S	Cat.6 RJ45 Shielded Black plastic frame, CSK holes
CP30222SW	Cat.6 RJ45 Shielded White plastic frame, CSK holes
CP30222SM	Cat.6 RJ45 Shielded Nickel plated metal frame, CSK holes
CP30222SM3	Cat.6 RJ45 Shielded Nickel plated metal frame, M3 holes
CP30222SMB	Cat.6 RJ45 Shielded Black metal frame, CSK holes
CP30222SM3B	Cat.6 RJ45 Shielded Black metal frame, M3 holes
CP30222SX	Cat.6 RJ45 Shielded Black plastic frame, PLAIN holes
CP30222SXW	Cat.6 RJ45 Shielded White plastic frame, PLAIN holes

Material:

1. RJ45 In-Line Coupler: ABS UL94-V0 Fully Shielded
2. RJ45 In-Line Coupler Contact: Phosphor Bronze, 3-50 micro inches gold plating over nickel plate.
3. PCB: FR4
4. Plastic Frame: Polyamide UL94 V-2
5. Metal Frame: Diecast, Black or Nickel plated

Performance:

1. T568A & T568B wiring.
2. Meet ISO/IEC 11801 and EN50173
3. Meet ANSI/TIA/EIA 568B.2
4. Rating: 125VAC RMS 1.5A
5. Operating Temperatures: Min -10°C Max +70°C