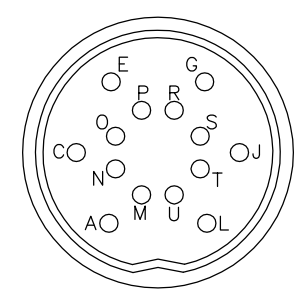
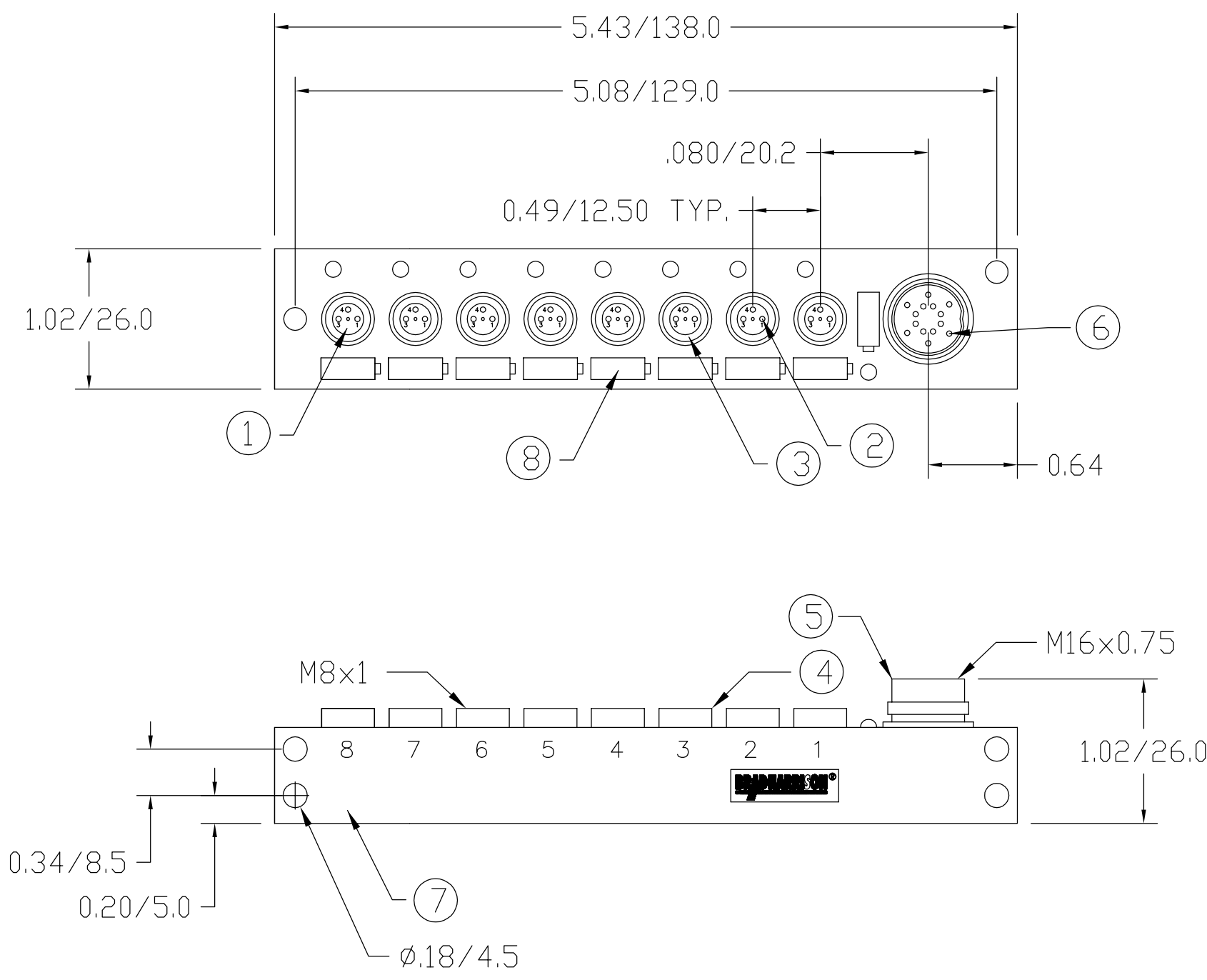
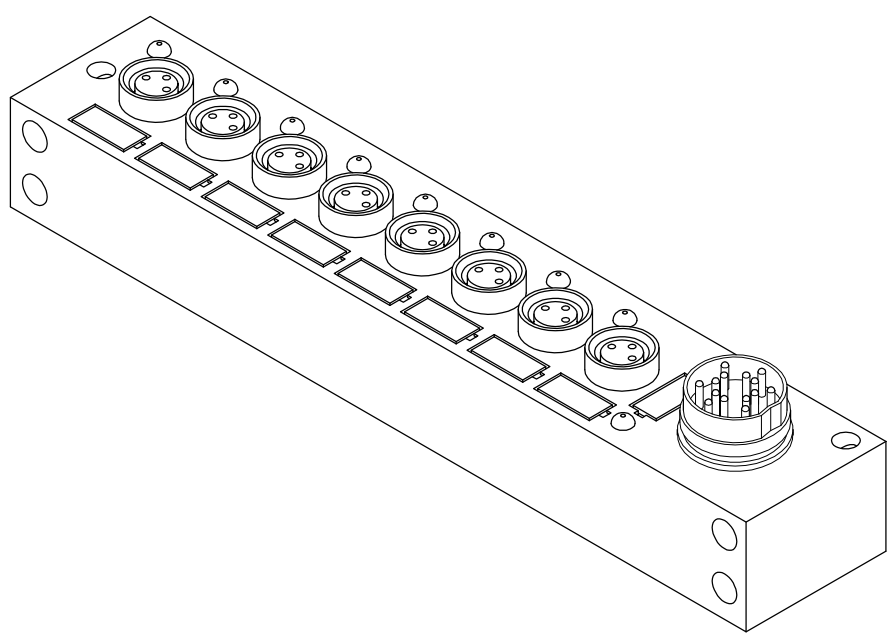
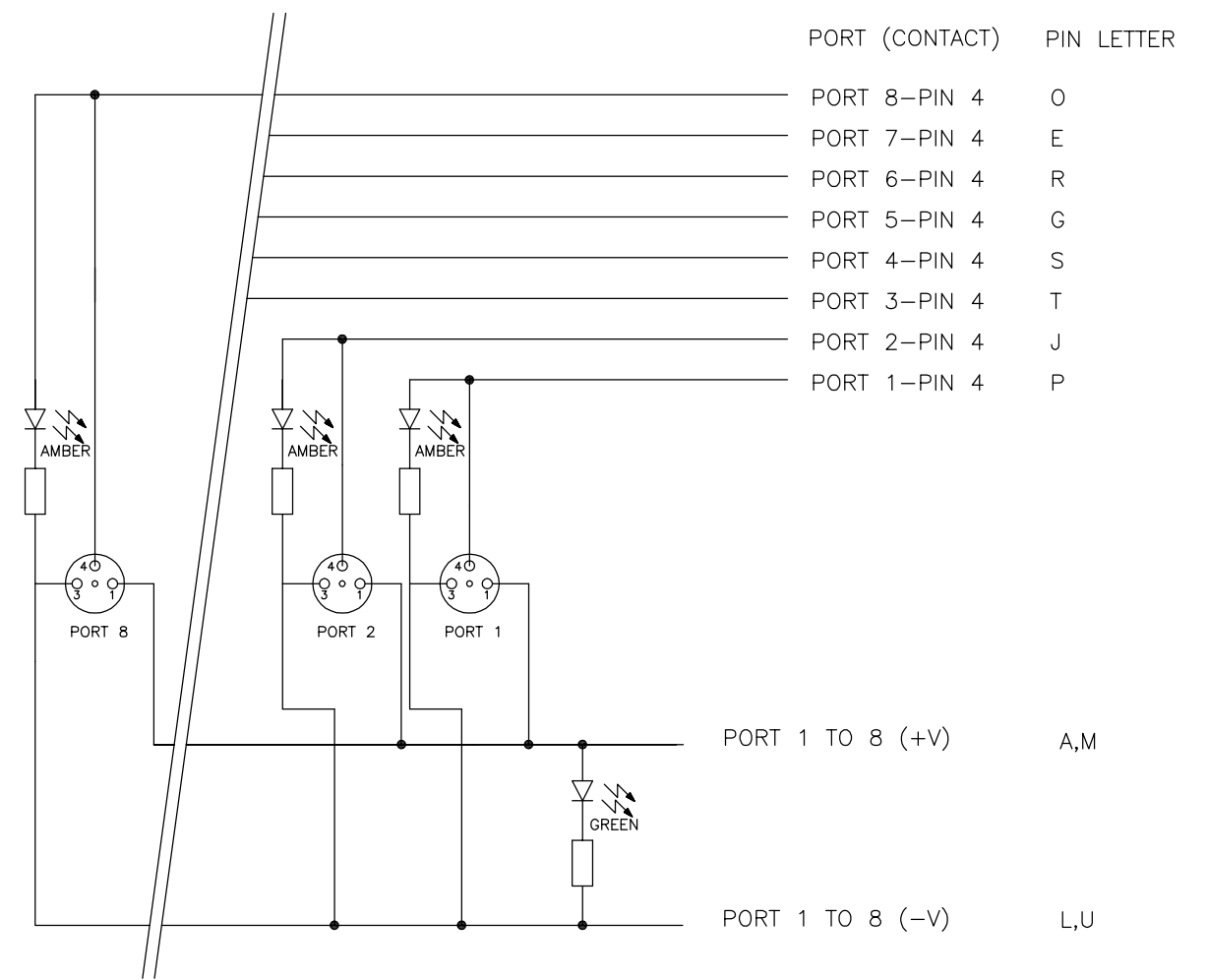
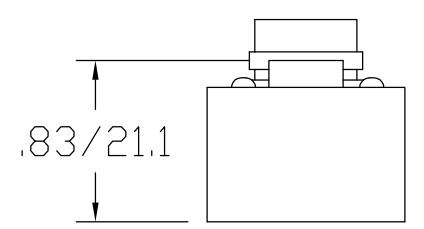


13	12	11	10	9	8	7	6	5	4	3	2	1
MATERIAL NUMBER	OLD PART NUMBER											
120113-0029	BNY801P-FBC											



FACE VIEW OF CONNECTOR



WIRING DIAGRAM

VOLTAGE RATING	10-30 VDC
AMPERAGE RATING PER PORT	2 AMPS
PROTECTION	IP67
OPERATING TEMPERATURE	-20°C TO 90°C

ITEM	COMPONENT	MATERIAL	FINISH
1	INSERT	POLYESTER	YELLOW
2	M8 CONTACT SOCKET	COPPER ALLOY	GOLD OVER NICKEL
3	O-RING	VITON	RED
4	M8 RECEPTACLE SHELL	BRASS	NICKEL PLATED
5	M16 RECEPTACLE SHELL	BRASS	NICKEL PLATED
6	M16 PIN CONTACT	BRASS	GOLD OVER NICKEL
7	HOUSING	NYLON	YELLOW
8	LABEL	ABS	WHITE

RELEASED DRAWING EC NO: WEU2010-0058 DRWN: LHARTMAN 8/21/09 CH'KD: BWOODMAN 2009/08/21 APPR: JFMURPHY 2009/08/21	QUALITY SYMBOL	GENERAL TOLERANCES (UNLESS SPECIFIED)	DIMENSION STYLE	SCALE	DESIGN UNITS	THIRD ANGLE PROJECTION
	$\nabla=0$ $\sphericalangle=0$	4 PLACES ±--- 3 PLACES ±--- 2 PLACES ±--- 1 PLACE ±0.3	IN/MM	NTS	METRIC	
	DESCRIPTION	ANGULAR ±---°	DRAWN BY DATE	TITLE		MOLEX INCORPORATED
	REV	DRAFT WHERE APPLICABLE MUST REMAIN WITHIN DIMENSIONS	LHARTMAN 2009/08/21	NANO-CHANGE MPIS 8 PORT PNP CONNECTORIZD 14 POLE M16 CONNECTOR		
A		CHECKED BY DATE	MATERIAL NO. SEE CHART DOCUMENT NO. SD-120113-009 SHEET NO. 1 OF 1			
		APPROVED BY DATE	THIS DRAWING CONTAINS INFORMATION THAT IS PROPRIETARY TO MOLEX INCORPORATED AND SHOULD NOT BE USED WITHOUT WRITTEN PERMISSION			

DRAWN BY DATE LHARTMAN 2009/08/21	CHECKED BY DATE BWOODMAN 2009/08/21	APPROVED BY DATE _____
MATERIAL NO. SEE CHART		
THIS DRAWING CONTAINS INFORMATION THAT IS PROPRIETARY TO MOLEX INCORPORATED AND SHOULD NOT BE USED WITHOUT WRITTEN PERMISSION		