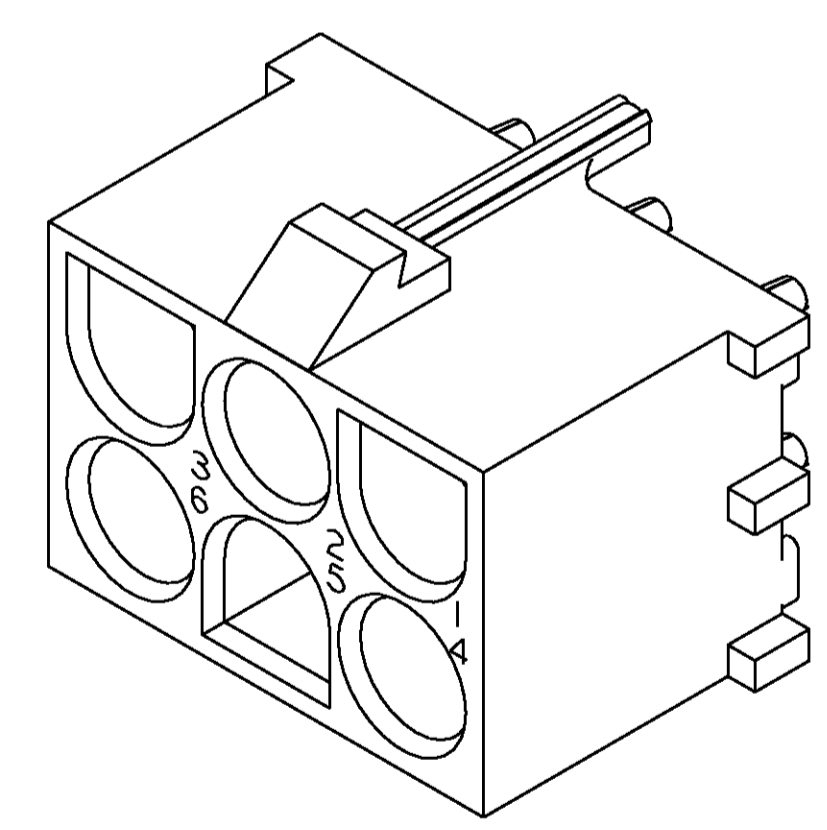
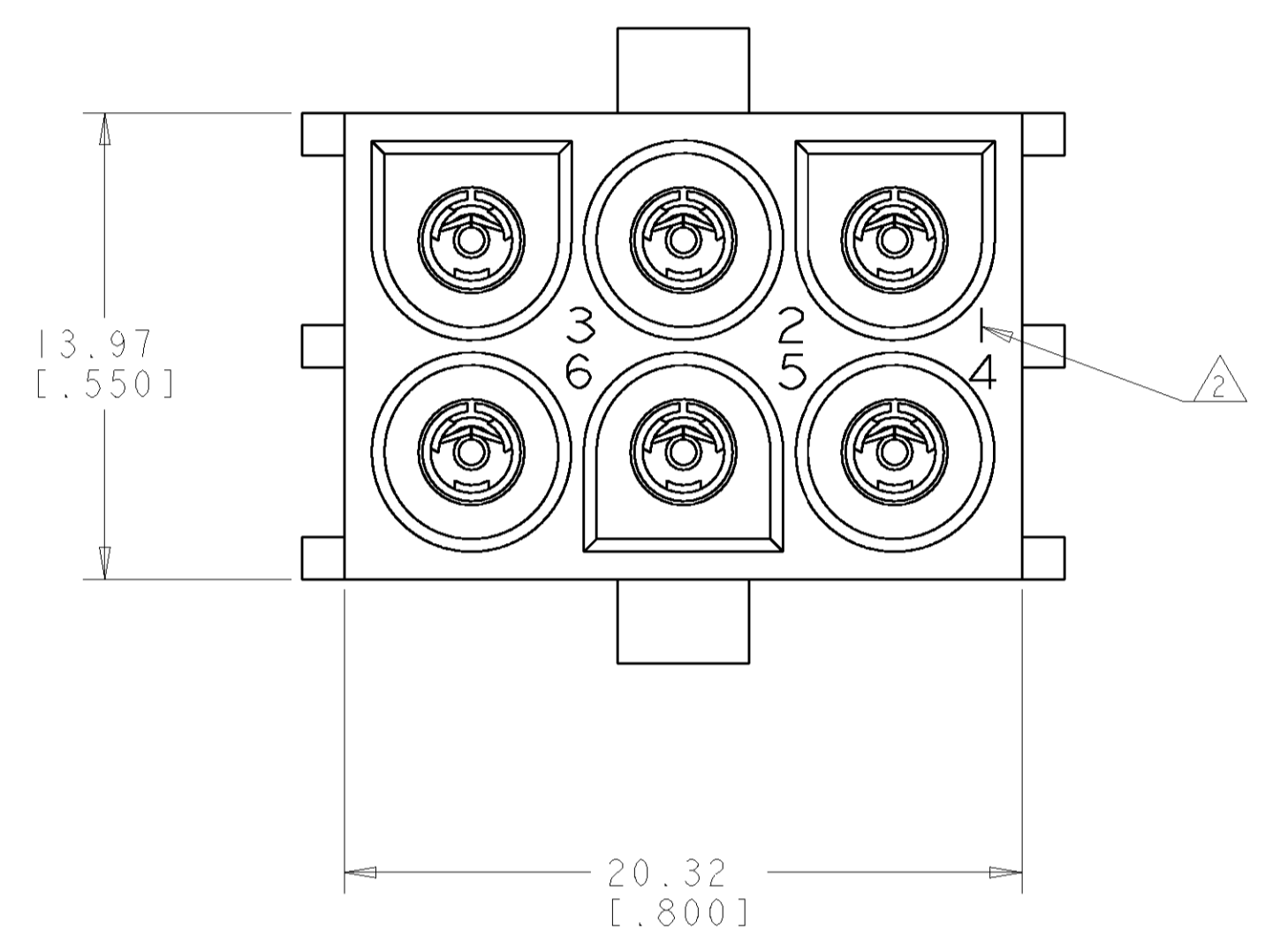
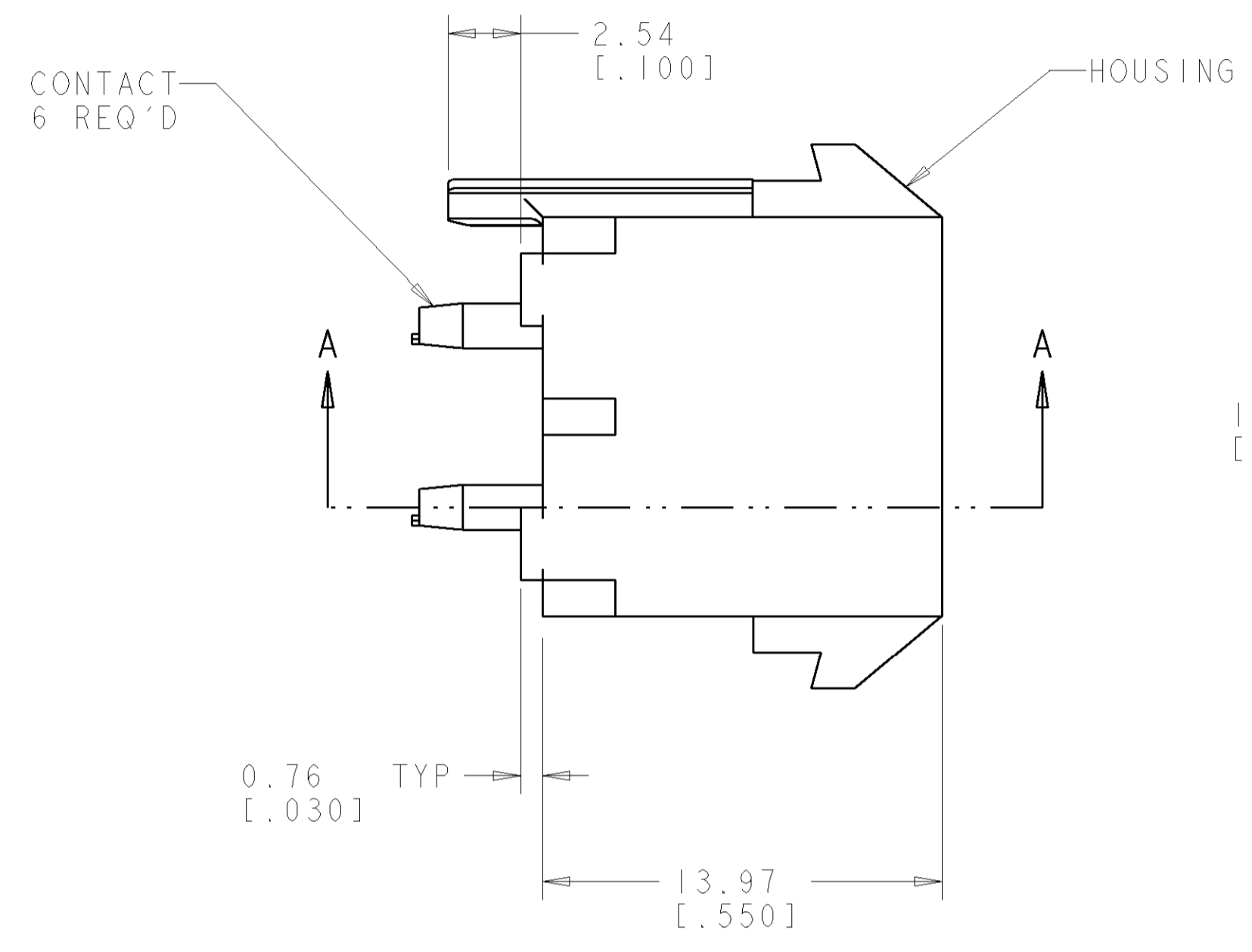
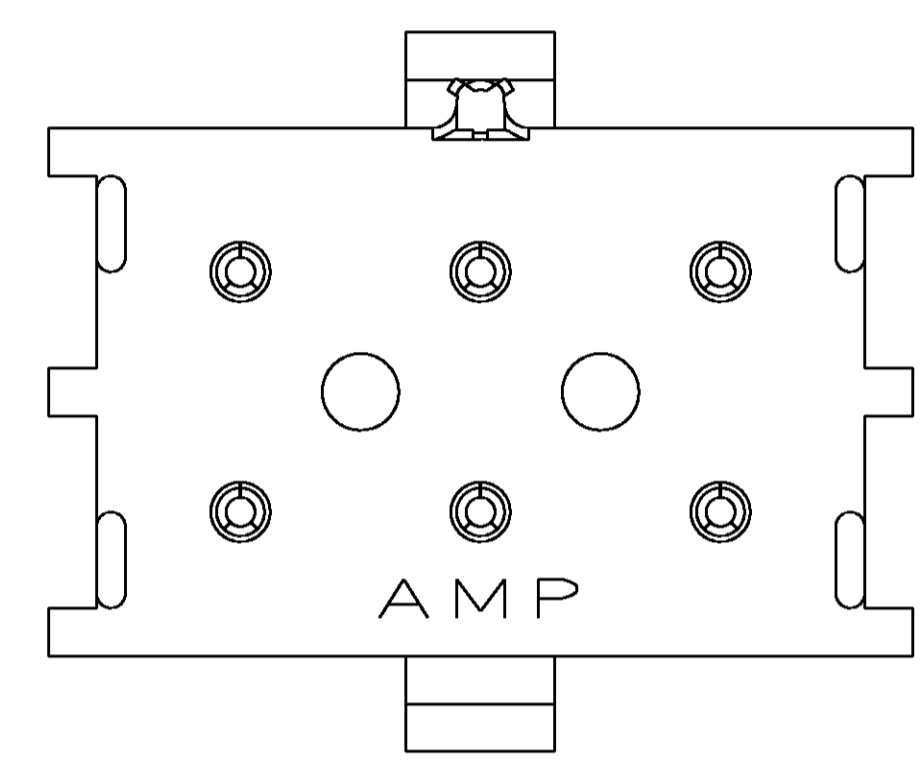
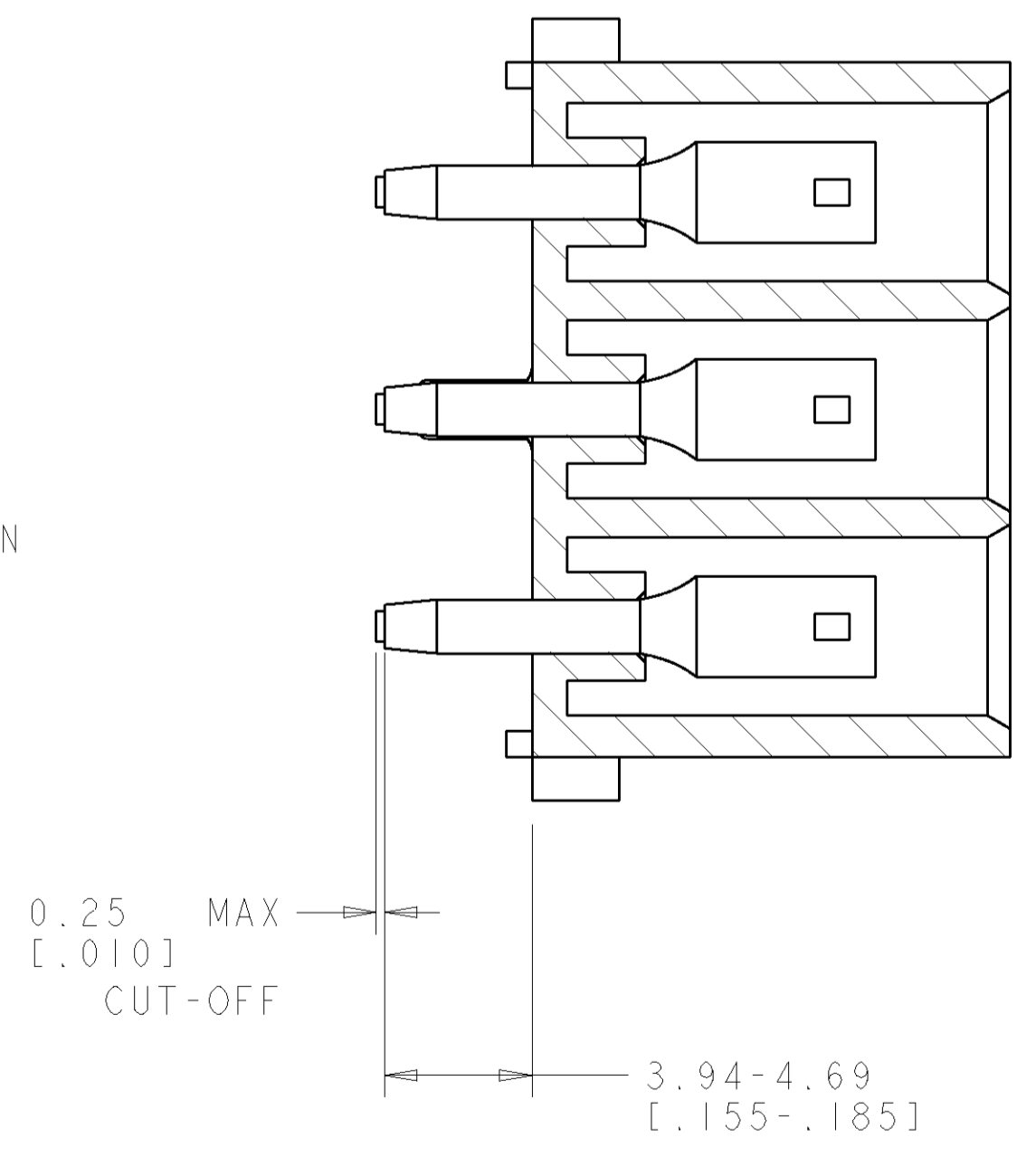
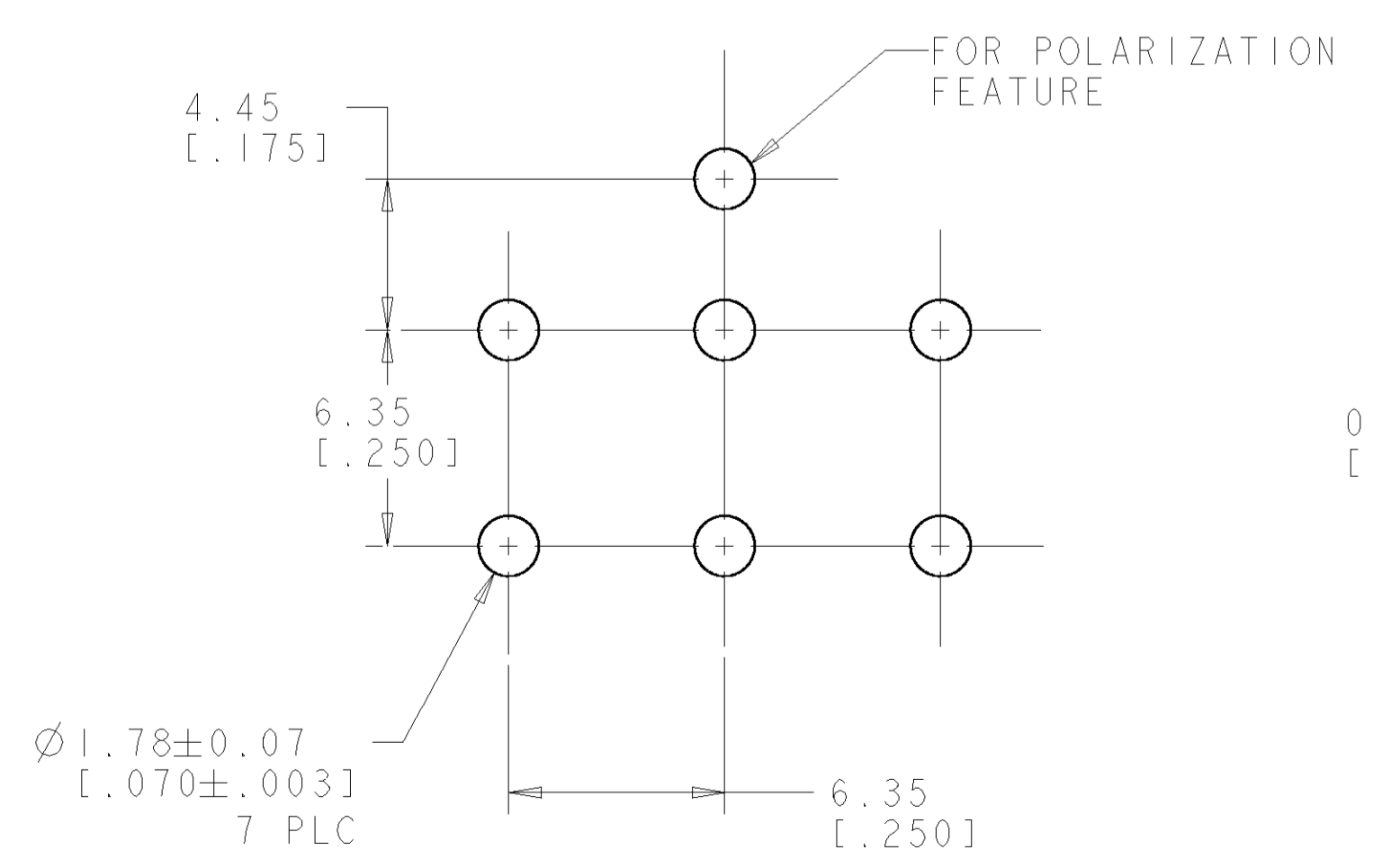


LOC		DIST		REVISONS			
CM	00	P	LTR	DESCRIPTION	DATE	DWN	APVD
		0		REVISED PER 0638-0713-03	24-NOV-03	KW	SR

- PARTS COMPLY TO AMP SOLDERABILITY SPECIFICATION 109-11-3.
- CIRCUIT IDENTIFICATION CHARACTERS ARE ADJACENT TO THE INDICATED CAVITIES, BUT LOCATION AND ORIENTATION MAY DIFFER FROM PRINT.
- DIMENSIONS IN BRACKETS ARE IN INCHES.



SCALE 4:1



SECTION A-A

PHOSPOR BRONZE, PRE-TIN CONTACT MATERIAL AND FINISH		NYLON, UL94V-0, WHITE HOUSING MATERIAL AND COLOR		1586252-1 PART NUMBER
DIMENSIONS: mm [ INCHES ]		TOLERANCES UNLESS OTHERWISE SPECIFIED:		DWN R. WHITAKER 24-NOV-03 ENR S. RIDGILL 24-NOV-03 APVD S. RIDGILL 24-NOV-03 PRODUCT SPEC APPLICATION SPEC WEIGHT FINISH SEE TABLE
0 PLC ± 1 PLC ± 2 PLC ±0.13(.005) 3 PLC ± 4 PLC ± ANGLES 40°±10°		NAME SOCKET HEADER ASSEMBLY, POLARIZED, 6 CIRCUIT, W/O DRAIN HOLES, UNIVERSAL MATE-N-LOK™		Tyco Electronics Harrisburg, PA 17105-3608 SIZE CAGE CODE DRAWING NO. RESTRICTED TO A1 00779 C=1586252 CUSTOMER DRAWING SCALE 5:1 SHEET 1 OF 1 REV 0

