

PART NAME: 5 STAR-KNOB SCALE: 1:1 DATE: 8/13/86 DR. BY HD

THIS DRAWING IS THE PROPERTY OF DAVIES MOLDING COMPANY, IS SUBMITTED SOLELY AS A DESIGN OR ENGINEERING PROJECT. WE ACCEPT NO RESPONSIBILITY WHATSOEVER FOR THE PRACTICAL APPLICATION OF THE PIECES MADE TO THIS DESIGN.



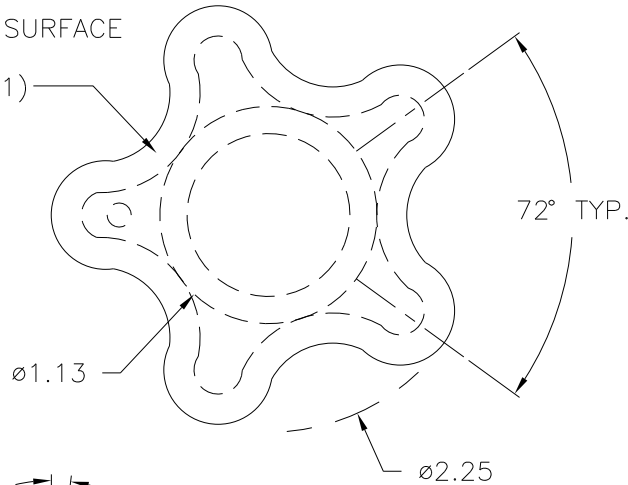
DESIGNERS & MANUFACTURERS OF KNOBS, HANDLES, CASES & CUSTOM PLASTIC COMPONENTS

P/N 2980-E

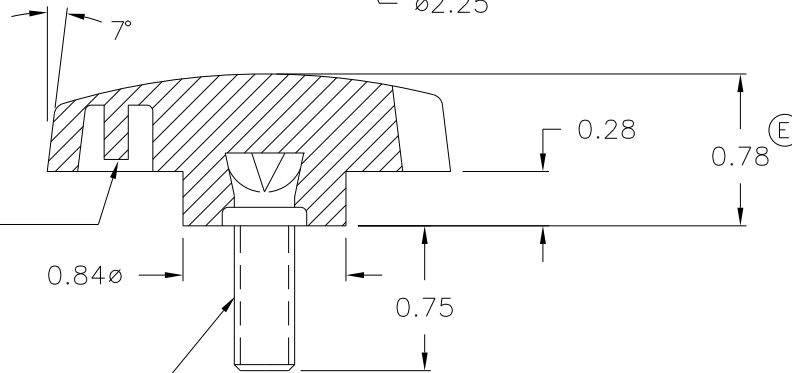
M^{NO.} # 9

CAVITY	2980
CORE	2980
SLEEVE	2980
PIN	2980-E
INSERT	I0254

TEXTURED TOP SURFACE ONLY (UNITEX-UT-741)



(B)



NOTE: GATE TO BE TRIMMED FLUSH OR BELOW THIS SURFACE

5/16-18 UNC-2A THREAD. INSERT I0254 STEEL, ZINC PLTD.

(C)

(A) MATERIAL: POLYPROPYLENE (CLD) (D) COLOR: BLACK

E	WAS 0.79	JAM	11/17/14
D	ADDED MAT. CODE	DS	1/26/07
C	DELETED NOTE	DS	12/13/06

TOLERANCES: UNLESS OTHERWISE SPECIFIED	DO NOT SCALE DRAWING
DECIMALS: X.XXX ± .005 X.XX ± .015	MM: X.XX ± 0.15MM X.X ± 0.4MM
FRACTIONS ± 1/64	ANG. ± 1°

B	DELETED 11/32 STEP, REWORK PINS, INSERT WAS I0539	HD	2/19/97
A	MAT'L WAS -ABS	HD	6/22/94
-	CAD/REDRAWN	HD	6/22/94

CHANGES