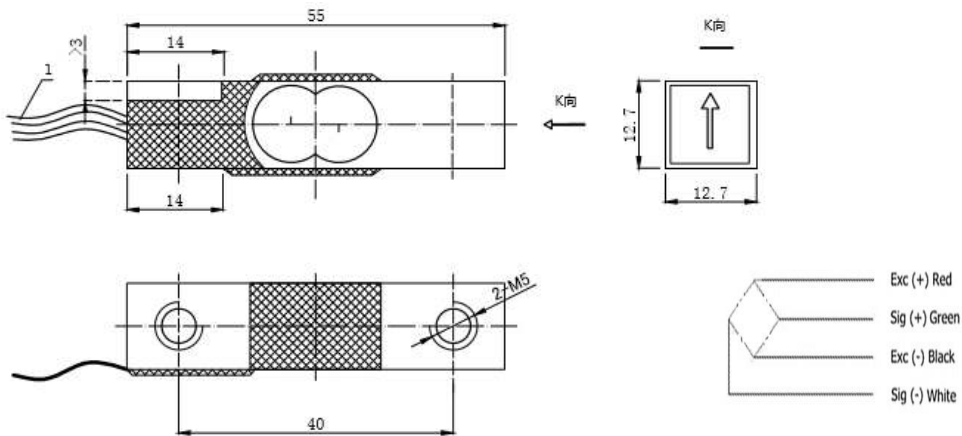


Features:

- ◆ Capacity : 2-50kg
- ◆ Material: aluminum-alloy
- ◆ Type: Parallel beam type
- ◆ Defend grade: IP65
- ◆ Application : hand scales, kitchen scales, mailing scales, fishing scales, baby scales and body scales and other electronic weighing devices.

Electrical connection and Dimensions:(dimension unit: mm)



Specifications:		
capacity	kg	2,3,5,10,20,50kg
safe overload	%FS	120
ultimate overload	%FS	150
rated output	mV/V	1.0 ± 0.1
excitation voltage	Vdc	3-10
combined error	%FS	± 0.05
zero balance	%FS	± 0.1
non-linearity	%FS	± 0.05
hysteresis	%FS	± 0.05
repeatability	%FS	± 0.05
creep	%FS/3min	± 0.1
input resistance	Ω	1000 ± 10
output resistance	Ω	1090 ± 10
insulation resistance	M Ω	≥ 2000
operating temperature range	°C	-10 ~ +55
compensated temperature range	°C	-10 ~ +40
temperature coefficient of SPAN	%FS/10°C	± 0.05
temperature coefficient of ZERO	%FS/10°C	± 0.05
Electrical connection	cable	4 color wire, Ø0.8 × 200 mm
		excitation(+):Red signal(+):Green excitation(-):Black signal(-):White

※Ordering code: model-capacity- rated output-accuracy-defend grade- the length of cable