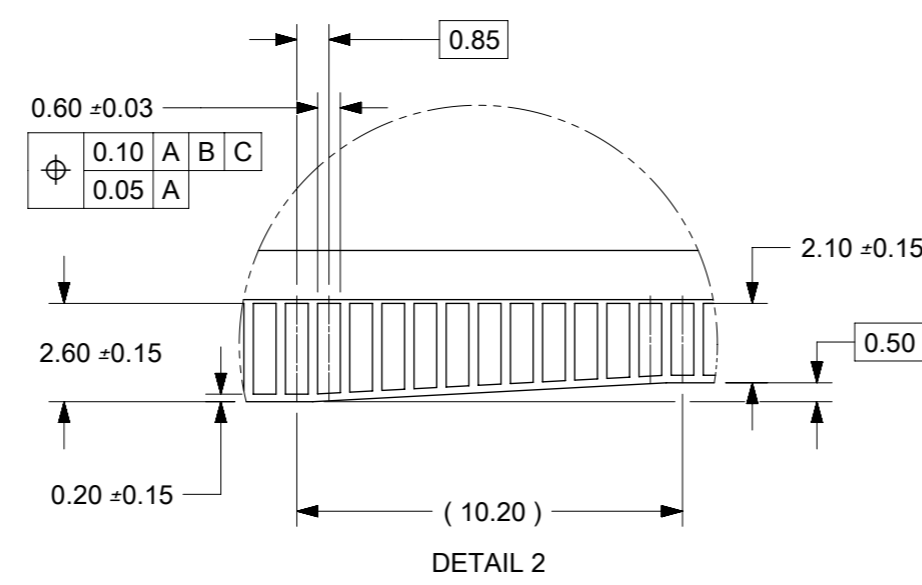
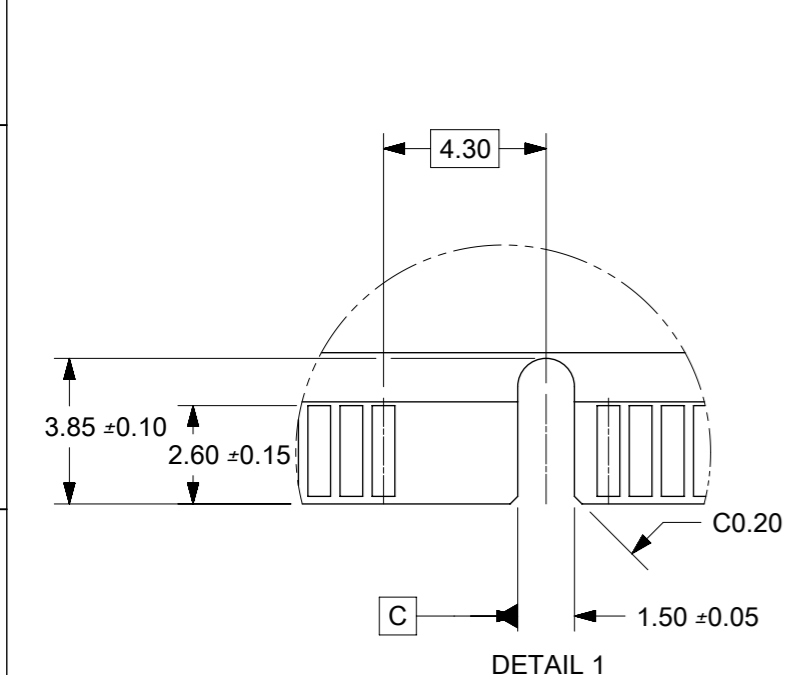
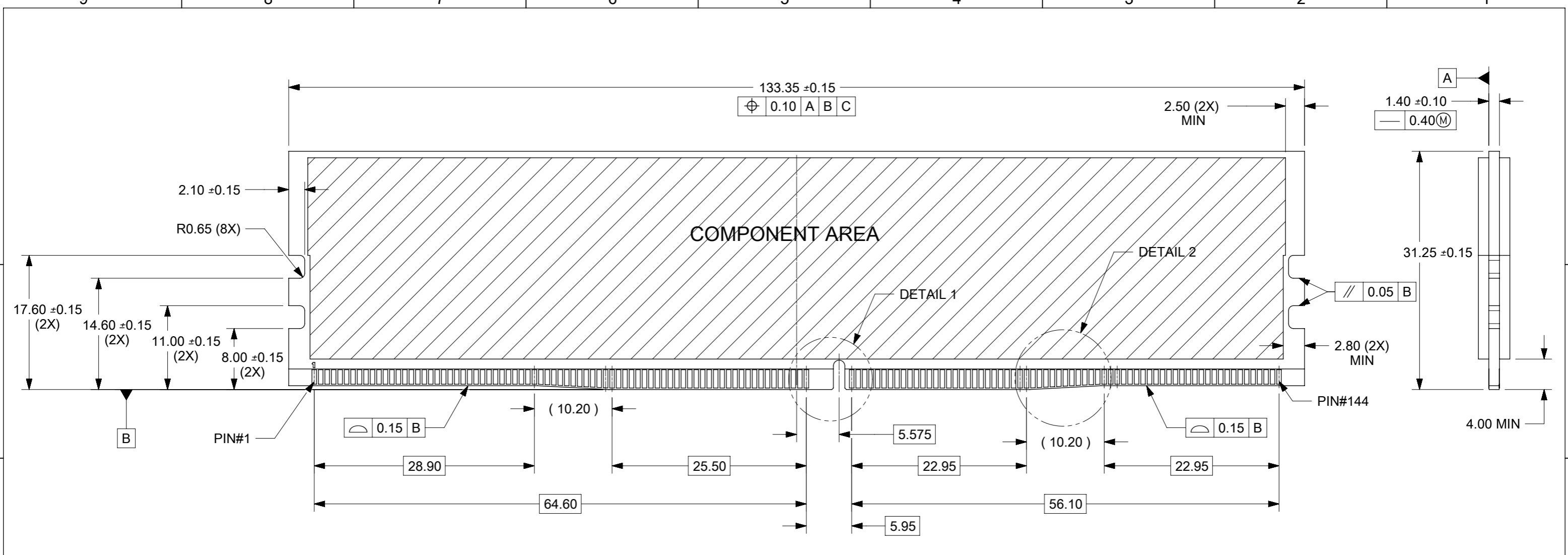
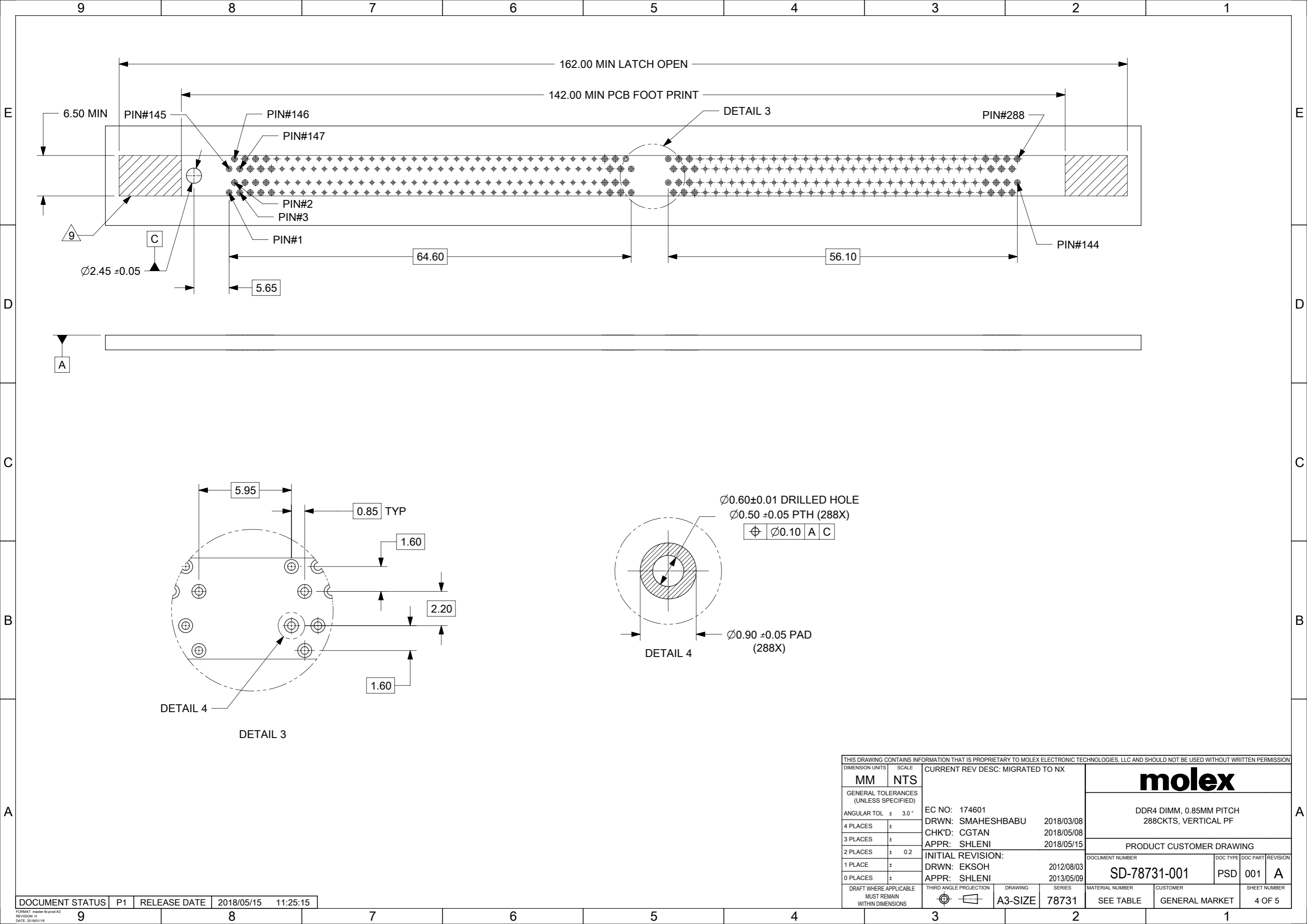


THIS DRAWING CONTAINS INFORMATION THAT IS PROPRIETARY TO MOLEX ELECTRONIC TECHNOLOGIES, LLC AND SHOULD NOT BE USED WITHOUT WRITTEN PERMISSION									
DIMENSION UNITS	SCALE	CURRENT REV DESC: MIGRATED TO NX							
MM	NTS	molex							
GENERAL TOLERANCES (UNLESS SPECIFIED)		DDR4 DIMM, 0.85MM PITCH 288CKTS, VERTICAL PF							
ANGULAR TOL	± 3.0 °	PRODUCT CUSTOMER DRAWING							
4 PLACES	±	EC NO: 174601	2018/03/08	DOCUMENT NUMBER					
3 PLACES	±	DRWN: SMAHESHBABU	2018/05/08	SD-78731-001		DOC TYPE	DOC PART	REVISION	
2 PLACES	± 0.2	CHK'D: CGTAN	2018/05/08	SEE TABLE		PSD	001	A	
1 PLACE	±	APPR: SHLENI	2018/05/15	INITIAL REVISION:		CUSTOMER			
0 PLACES	±	DRWN: EKSOH	2012/08/03	APPR: SHLENI		GENERAL MARKET		SHEET NUMBER	
DRAFT WHERE APPLICABLE MUST REMAIN WITHIN DIMENSIONS		THIRD ANGLE PROJECTION	DRAWING	SERIES	MATERIAL NUMBER	CUSTOMER		SHEET NUMBER	
			A3-SIZE	78731	SEE TABLE	GENERAL MARKET		2 OF 5	

DOCUMENT STATUS	P1	RELEASE DATE	2018/05/15	11:25:15
-----------------	----	--------------	------------	----------



THIS DRAWING CONTAINS INFORMATION THAT IS PROPRIETARY TO MOLEX ELECTRONIC TECHNOLOGIES, LLC AND SHOULD NOT BE USED WITHOUT WRITTEN PERMISSION		CURRENT REV DESC: MIGRATED TO NX		molex	
DIMENSION UNITS	SCALE				
MM	NTS			DDR4 DIMM, 0.85MM PITCH 288CKTS, VERTICAL PF	
GENERAL TOLERANCES (UNLESS SPECIFIED)		EC NO: 174601		PRODUCT CUSTOMER DRAWING	
ANGULAR TOL	± 3.0°	DRWN: SMAHESHBABU	2018/03/08	DOCUMENT NUMBER	DOC TYPE
4 PLACES	±	CHK'D: CGTAN	2018/05/08	SD-78731-001	PSD
3 PLACES	±	APPR: SHLENI	2018/05/15	DOC PART	001
2 PLACES	± 0.2	INITIAL REVISION:		REVISION	A
1 PLACE	±	DRWN: EKSOH	2012/08/03		
0 PLACES	±	APPR: SHLENI	2013/05/09		
DRAFT WHERE APPLICABLE MUST REMAIN WITHIN DIMENSIONS	THIRD ANGLE PROJECTION	DRAWING	SERIES	MATERIAL NUMBER	CUSTOMER
		A3-SIZE	78731	SEE TABLE	GENERAL MARKET
DOCUMENT STATUS		RELEASE DATE		SHEET NUMBER	
P1		2018/05/15 11:25:15		3 OF 5	



THIS DRAWING CONTAINS INFORMATION THAT IS PROPRIETARY TO MOLEX ELECTRONIC TECHNOLOGIES, LLC AND SHOULD NOT BE USED WITHOUT WRITTEN PERMISSION									
DIMENSION UNITS		SCALE		CURRENT REV DESC: MIGRATED TO NX					
MM		NTS							
GENERAL TOLERANCES (UNLESS SPECIFIED)									
ANGULAR TOL		± 3.0 °		EC NO: 174601		2018/03/08		DDR4 DIMM, 0.85MM PITCH	
4 PLACES		±		DRWN: SMAHESHBABU		2018/05/08		288CKTS, VERTICAL PF	
3 PLACES		±		CHK'D: CGTAN		2018/05/08		PRODUCT CUSTOMER DRAWING	
2 PLACES		± 0.2		APPR: SHLENI		2018/05/15		DOCUMENT NUMBER	
1 PLACE		±		INITIAL REVISION:		2012/08/03		SD-78731-001	
0 PLACES		±		DRWN: EKSOH		2013/05/09		DOC TYPE	
DRAFT WHERE APPLICABLE		THIRD ANGLE PROJECTION		DRAWING		SERIES		DOC PART	
MUST REMAIN WITHIN DIMENSIONS				A3-SIZE		78731		REVISION	
				MATERIAL NUMBER		CUSTOMER		SHEET NUMBER	
				SEE TABLE		GENERAL MARKET		4 OF 5	

DOCUMENT STATUS	P1	RELEASE DATE	2018/05/15	11:25:15
-----------------	----	--------------	------------	----------

CKT SIZE	ASSEMBLY PART NO.	HOUSING COLOUR	LATCH COLOUR	DIM"P"	DIM"Q"	RECOMMENDED MINIMUM PCB THICKNESS	PLATING OPTION		PRODUCT SPEC. NO.	PACKAGING SPEC. NO.
							CONTACT AREA	TAIL AREA		
288	78731-1002	BLACK	BLACK	2.53	4.30	1.80	0.76 MICROMETER (30 MICROINCH) MIN GOLD ON CONTACT	0.38 TO 1.52 MICROMETER (15 TO 60 MICROINCH) MIN TIN ON SOLDER TAILS	PS-78731-001	PK-78731-001
	78731-1003	BLACK	WHITE							
	78731-1004	WHITE	BLACK							
	78731-1005	WHITE	WHITE							
	78731-1006	BLUE	BLUE							
	78731-1007	BLACK	BLACK	3.53					2.29 MICROMETER (90 MICROINCH) MIN NICKEL UNDERPLATE	
	78731-1008	BLACK	WHITE							
	78731-1009	WHITE	BLACK							
	78731-1010	WHITE	WHITE							
	78731-1011	BLUE	BLUE	2.53					0.38 MICROMETER (15 MICROINCH) MIN GOLD ON CONTACT	
	78731-2002	BLACK	BLACK							
	78731-2003	BLACK	WHITE							
	78731-2004	WHITE	BLACK							
	78731-2005	WHITE	WHITE							
	78731-2006	BLUE	BLUE	3.53	2.29 MICROMETER (90 MICROINCH) MIN NICKEL UNDERPLATE					
	78731-2007	BLACK	BLACK							
	78731-2008	BLACK	WHITE							
	78731-2009	WHITE	BLACK							
78731-2010	WHITE	WHITE								
78731-2011	BLUE	BLUE						PS-78731-002		

THIS DRAWING CONTAINS INFORMATION THAT IS PROPRIETARY TO MOLEX ELECTRONIC TECHNOLOGIES, LLC AND SHOULD NOT BE USED WITHOUT WRITTEN PERMISSION

DIMENSION UNITS	SCALE	CURRENT REV DESC: MIGRATED TO NX		molex			
MM	NTS						
GENERAL TOLERANCES (UNLESS SPECIFIED)		EC NO: 174601		DDR4 DIMM, 0.85MM PITCH 288CKTS, VERTICAL PF			
ANGULAR TOL	± 3.0 °	DRWN: SMAHESHBABU	2018/03/08	PRODUCT CUSTOMER DRAWING			
4 PLACES	±	CHK'D: CGTAN	2018/05/08	DOCUMENT NUMBER			
3 PLACES	±	APPR: SHLENI	2018/05/15	SD-78731-001		DOC TYPE	
2 PLACES	± 0.2	INITIAL REVISION:		001	REVISION		
1 PLACE	±	DRWN: EKSOH	2012/08/03	A			
0 PLACES	±	APPR: SHLENI	2013/05/09				
DRAFT WHERE APPLICABLE MUST REMAIN WITHIN DIMENSIONS		THIRD ANGLE PROJECTION	DRAWING	SERIES	MATERIAL NUMBER	CUSTOMER	SHEET NUMBER
			A3-SIZE	78731	SEE TABLE	GENERAL MARKET	5 OF 5