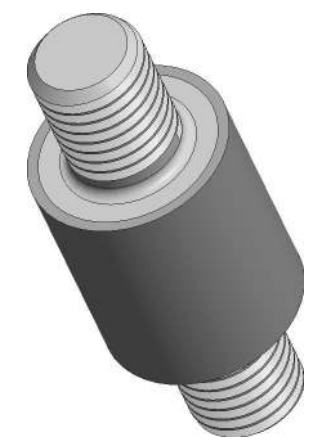
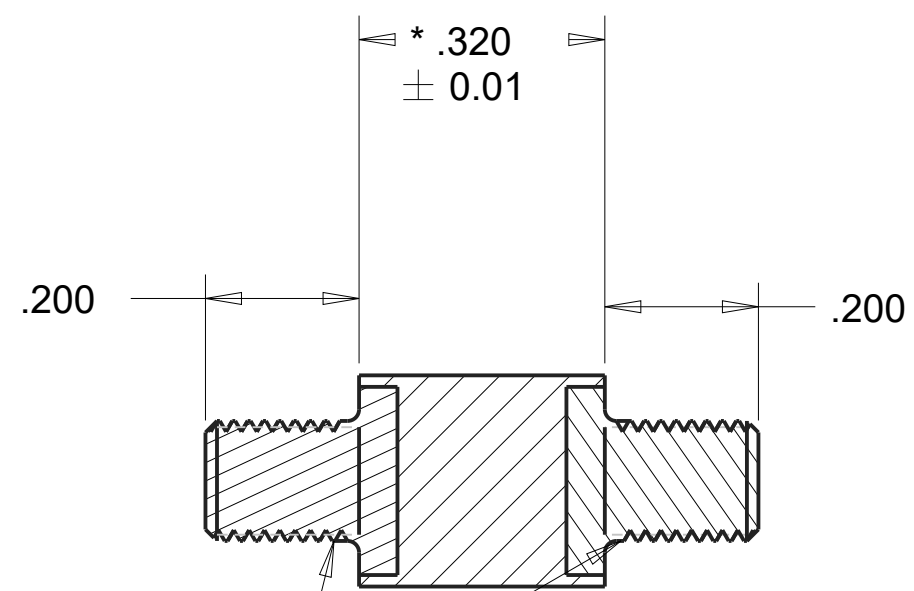
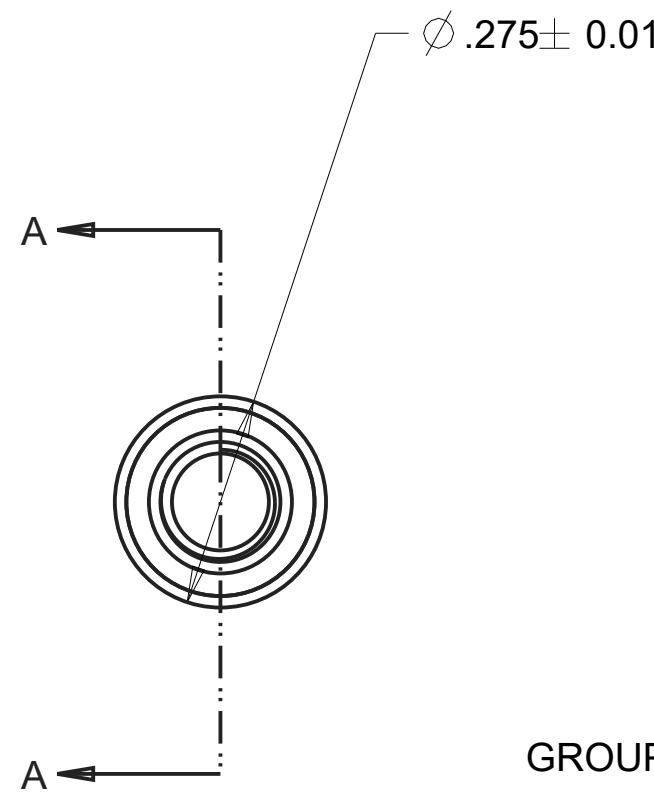




| REVISIONS | | | | |
|-----------|-----|----------------|---------|----------|
| DRAWN | REV | DESCRIPTION | DATE | APPROVED |
| CP | 01 | INITIAL DESIGN | 5/15/17 | MS |
| | | | | |
| | | | | |



GROUP 1 MALE INSERT
#4-40 UNC-2A

SECTION A-A

NOTES:

1. CONTACT AREAS MUST BE 100% BONDED.

INSERTS:
MALE INSERT P/N: 021-1403
MATERIAL: S.A.E 1018 STEEL
FOR COATING DETAILS, SEE INSERT DRAWING.

| | | | |
|------------|---|---|---------------------------|
| MATERIAL: | AEARO TECHNOLOGIES LLC * a 3M company | | |
| ISOLOSS HD | QUALITY CONTROL: MUST COMPLY WITH AEARO TECHONLGIES LLC SUPPLIER QUALITY MANUAL REQUIREMENTS | TITLE SANDWICH MOUNT, GROUP 1, MALE-MALE, ISOLOSS HD | |
| UNITS: IN | NOTES: ANY FEATURE NOT DIMENSIONED IN PRINT MUST BE VISIBLY PRESENT, UTILIZE 3D CAD FOR CREATION | SIZE B | ITEM CODE |
| | | | DWG NO. MM-100-UC04- H |