



Tango 15

Low Profile, GSM(2G)/3G/GPS Combined Antenna



Key Features

- Combined GSM & GPS Functionality
- Quad Band GSM/GPRS & 3G
- Screw/Through-Hole Mount Antenna
- GSM Gain 2.5dBi; GPS LNA Gain 25dB

General Description

The Tango 15 is a low profile, robust and vandal resistant antenna suitable for outdoor equipment like vending machines, traffic light systems, automotive and many other types of GPS applications.

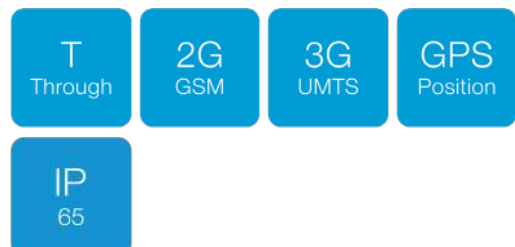
The Tango 15 is designed for semi-covert applications where the antenna is best out of sight. Operating on GSM & 3G.

This antenna combines an active GPS antenna with an LNA (Low Noise Amplifier) so it can be used with GPS applications as well as cellular.

The antenna can be supplied with alternative cable lengths or connector types for volume orders.

Additional Considerations

- Compatible worldwide with any cellular GSM application
- Perfect for covert applications
- Vandal resistant
- Dual mounting – adhesive and screw mount
- **Blue heat shrink for GPS cable**
- **Black heat shrink for GSM/GPRS/UMTS cable**





Tango 15

Low Profile, GSM(2G)/3G/GPS Combined Antenna

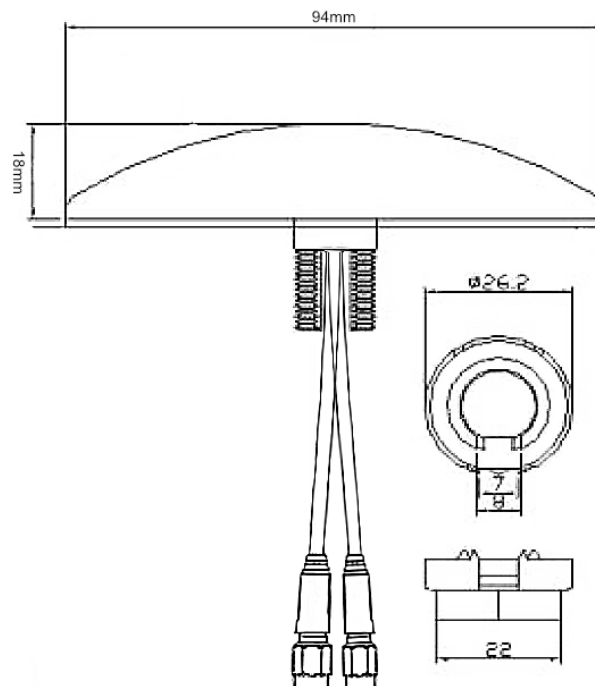
Key Specifications - Electrical

| | | |
|-----------------------------|-----------------------------|-----------------------|
| Temperature range: | -40 to +85°C | |
| Impedance: | 50ohm | |
| VSWR: | <2.0:1 | |
| Average GSM Gain | 2.5dBi | |
| GPS (LNA) Gain | 25dB | |
| Voltage and supply current: | 3 - 5V DC 25mA typical | |
| Operating frequency: | GSM/GPRS | 890-960 /1710-1880MHz |
| | 3G | 2100MHz |
| | GPS | 1575.42MHz |
| Polarisation: | GSM – Vertical / GPS – RHCP | |

Key Specifications - Mechanical

| | |
|-------------|-------------|
| Dimensions: | ø94 x18mm |
| Cable: | RG174 1m/3m |

Dimensions



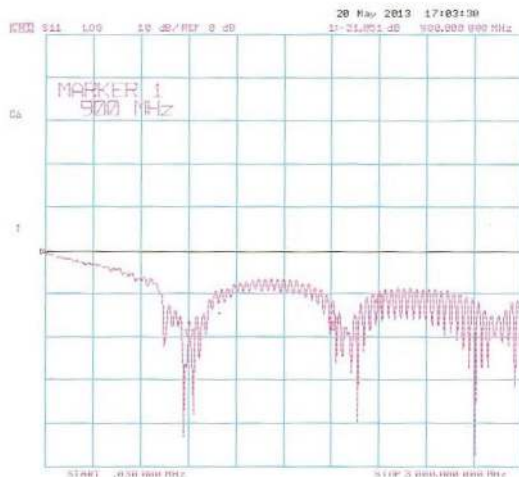


Tango 15

Low Profile, GSM(2G)/3G/GPS Combined Antenna

Test Reports

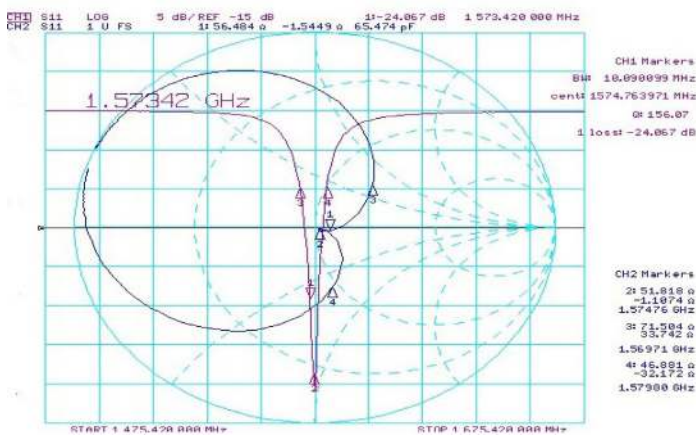
GSM Return Loss Graph



GSM VSWR Graph



GPS Return Loss Graph



Ordering Details

| Part Number | Description |
|-----------------------------|---|
| TANGO15/3M/SMAM/SMAM/S/S/22 | GSM/GPS Combined Bolt Through Antenna, 3M Cable, SMA Male Connector |
| TANGO15/5M/SMAM/SMAM/S/S/22 | GSM/GPS Combined Bolt Through Antenna, 5M Cable, SMA Male Connector |