



Solid Coupling 4x6mm (Pair)

SKU: 84721 Weight: 25.00 Gram

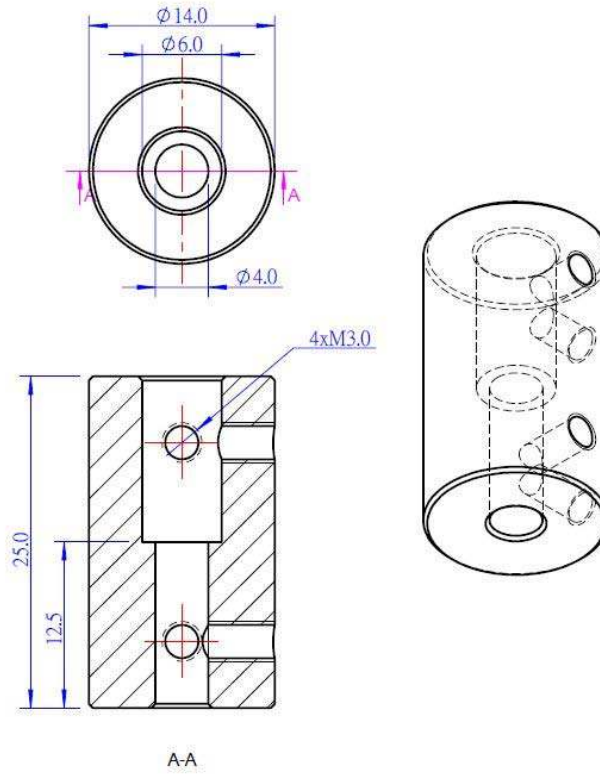
Descripton:

Makeblock Solid Coupling 4x6mm is frequently used in positive and negative rotation or the transmission needed high sensitivity, can connect the shaft 6mm or T6 lead screw and stepper motor in 3D printer to achieve high quality transmission.

Features:

- Made from aluminum.
- Compatible with most 6mm shaft or T6 lead screw.
- Size: D14*Φ4*Φ6*M3*L25mm.

Size Charts(mm):



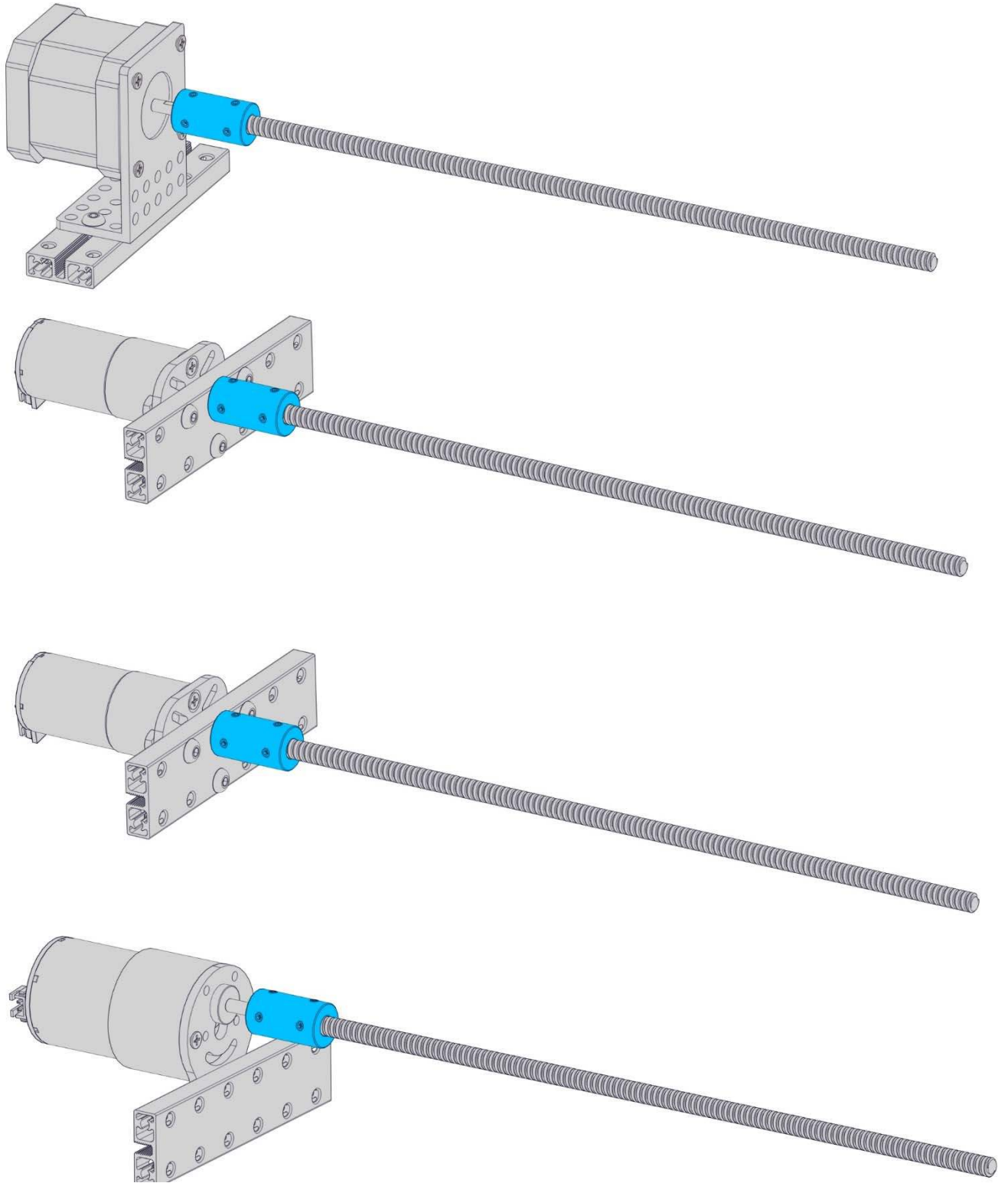
Part List:

2 × Solid Coupling 4x6mm

8 × Headless Set Screw M3x3



Demo:



<https://store.makeblock.com/solid-coupling-4x6mm-pair/2-20-1-9>