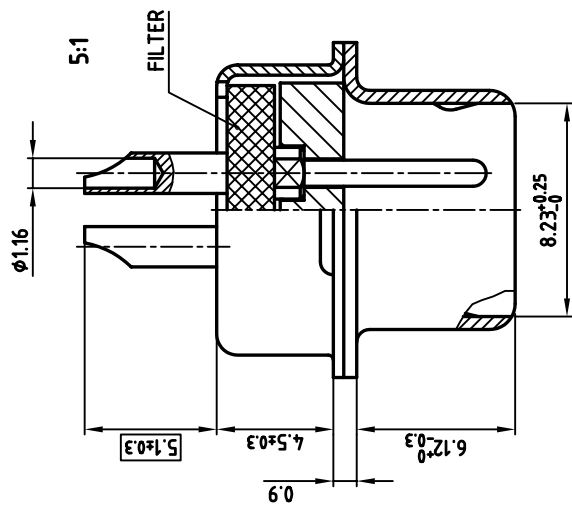
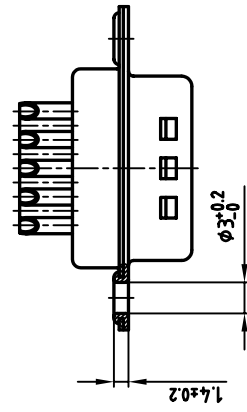
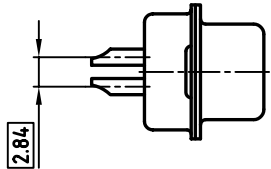
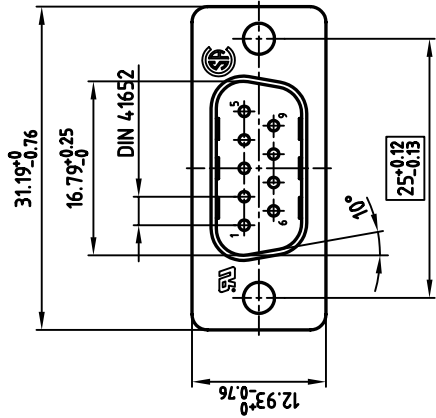


used for: D-SUB FILTER



**NOTES:**

1. METALSHELLS: STEEL; min. 320µ" TIN
2. INSULATORS: PBT GF UL 94 V-0, BLACK
3. CONTACTS: COPPER ALLOY
4. PLATING: min. 8µ" HARD GOLD OVER min. 50µ" NICKEL
5. SOLDER CUP: AWG 20
6. CAPACITANCE: 370pF ±20%
7.   = CRITICAL DIMENSION: SPC

THIS DRAWING MAY NOT BE COPIED OR REPRODUCED IN ANY WAY, AND MAY NOT BE PASSED ON TO A THIRD PARTY WITHOUT WRITTEN PERMISSION.  
 OWNERSHIP AND COPYRIGHT OF CONEC GMBH DO NOT ALTER CAD DRAWING BY HAND

rev.	description	date	name

tolerance	2000	date	name

scale: 2:1 (5:1)		material: SEE NOTES	
title: D-FILTER MALE		9pos. SOLDER CUP	
dwg no: 24K11EUA		CAD/ REL.14	DIN-A
product no: 241A26880X		3	sh: 1/1

