



PART NAME

# NEMA DIE CAST ALUMINUM ENCLOSURE

PART No.

## AN-1323-A & AN-1323-AB

REVISION DATE

9-30-15

UL LISTED FOR U.S. AND CANADA - FILE #E194432

TYPE RATING 4, 4X, 6, 6P, 12 AND 13, COMPARE TO IP-68

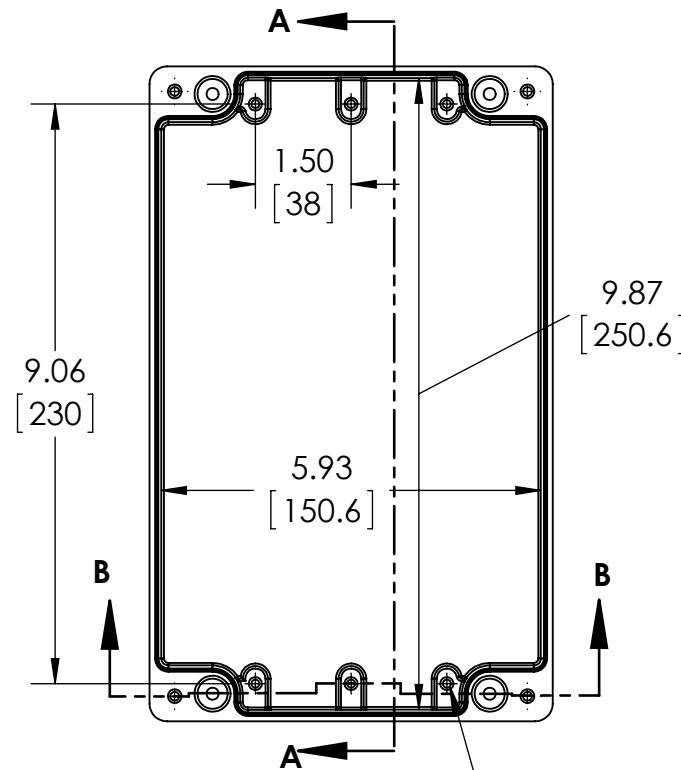
80°C. MAXIMUM OPERATING TEMPERATURE

UPDATE REPLACES PART NO. AN-1323 (NATURAL) & AN-1323-G (DISCONTINUED GRAY)

**DRAWING FOR REFERENCE**

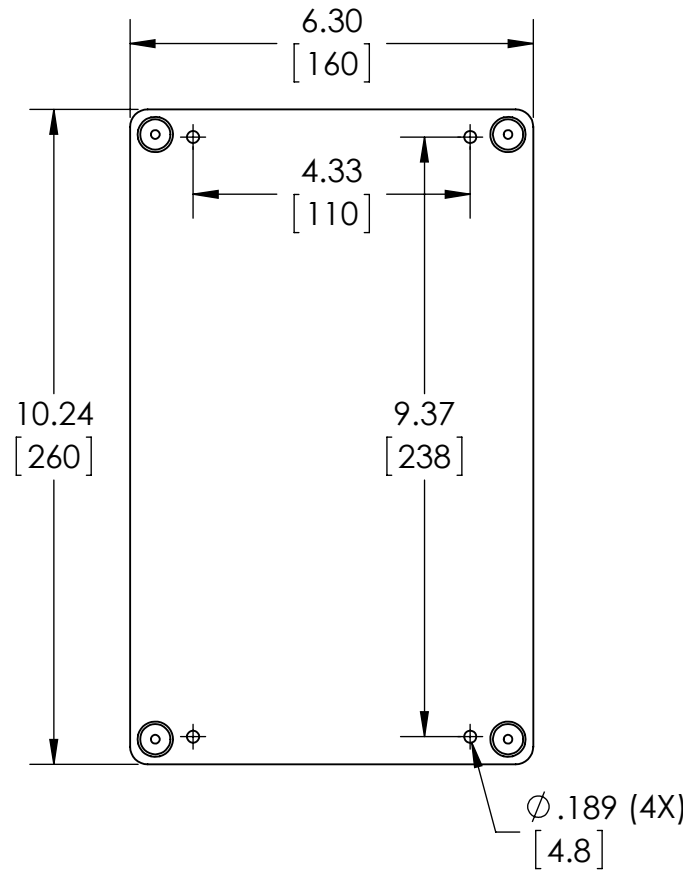
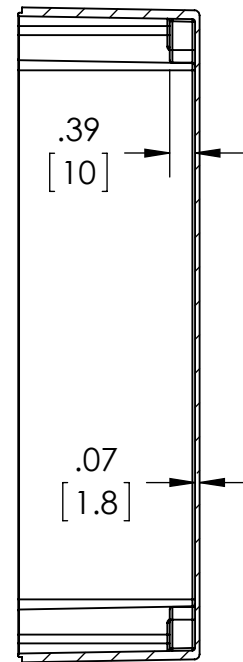
WE RESERVE THE RIGHT TO MAKE CHANGES TO OUR STANDARD PRODUCTS. PLEASE CONSULT WITH BUD INDUSTRIES PRIOR TO USING THIS DRAWING FOR DESIGN PURPOSE.

### BODY COVER NOT SHOWN

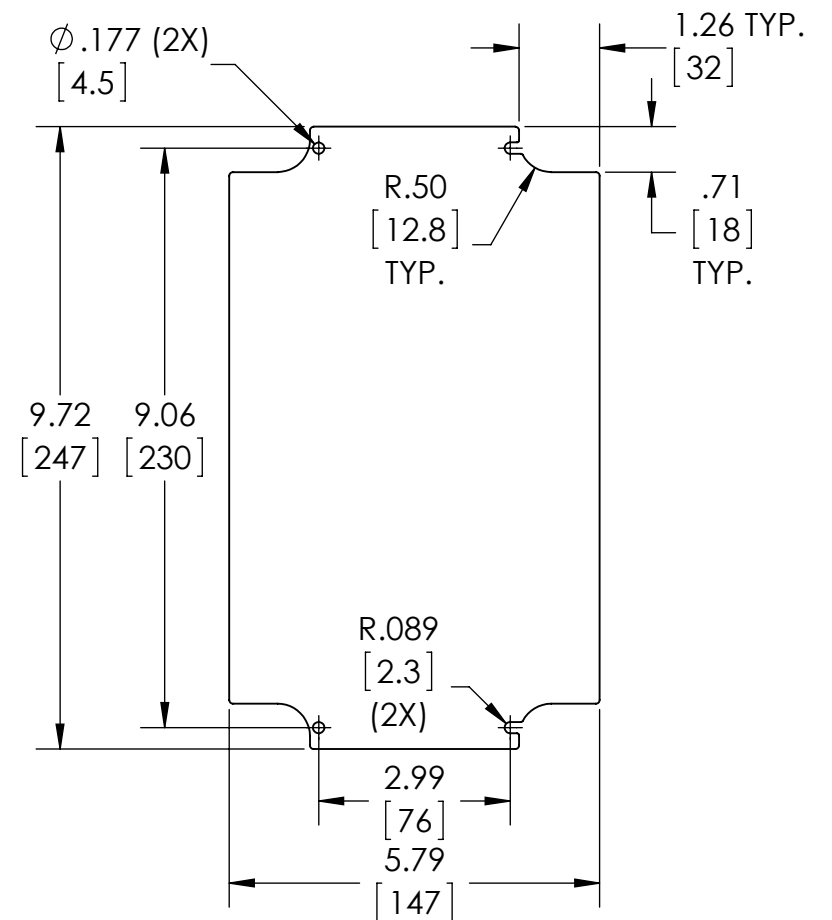
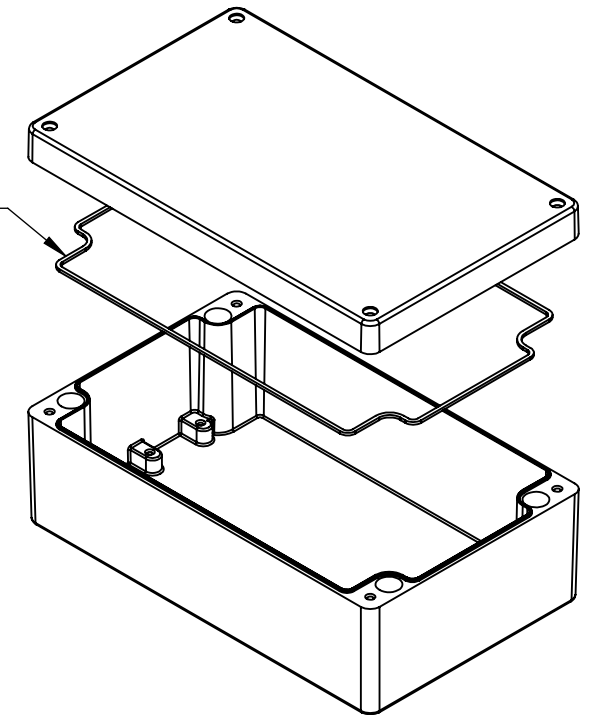


$\phi .126 \times .394$  DEEP (6X)  
 [3.2] [10]  
 ACCEPTS M3.5 x 6mm LG.  
 OR #6 x 1/4" LG.  
 SELF-TAPPING SCREW  
 (NOT SUPPLIED - FOR PCB  
 MOUNTING)

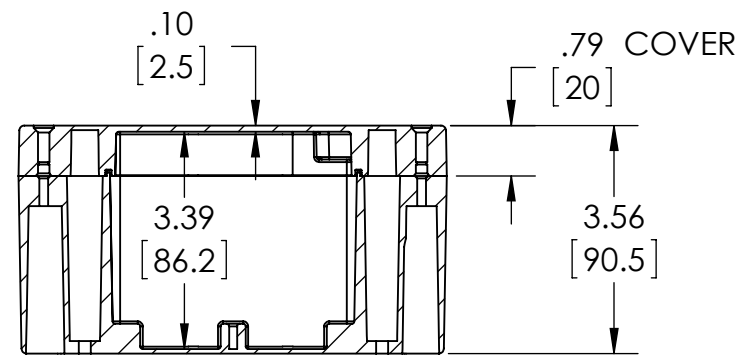
### SECTION A-A



GASKET (NOT INSTALLED)  
MOLDED SILICONE GRAY



### OPTIONAL INTERNAL PANEL AND SUGGESTED PC BOARD LAYOUT



### SECTION B-B

MATERIAL: BODY & COVER - ALUMINUM ALLOY #ADC-12

FINISH: NATURAL (SUFFIX -A)  
SMOOTH BLACK POWDERCOAT (SUFFIX -AB)

FOUR (4) M4x0.7 x 32mm (1.26") LG. 90° CSK. HEAD  
STAINLESS STEEL CAPTIVE SCREWS SUPPLIED FOR  
ASSEMBLY OF COVER TO BODY. APPLY AT 12 IN./LB.  
OF TORQUE.

OUTSIDE AND INSIDE DRAFT ANGLE: 1°  
DIMENSIONS IN INCH[MM]

OPTIONAL ACCESSORIES:  
 PCB MOUNTING KIT #57-58  
 INTERNAL PANEL #ANX-91323  
 WALL MOUNT BRACKETS #ANX-1390  
 REPLACEMENT GASKET #1323GSKTSC