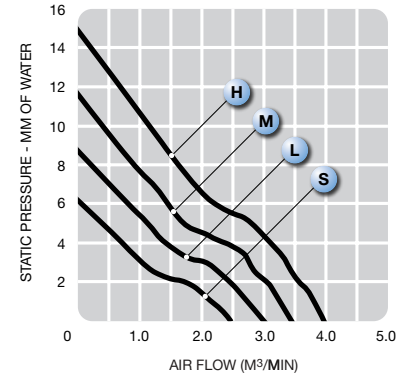
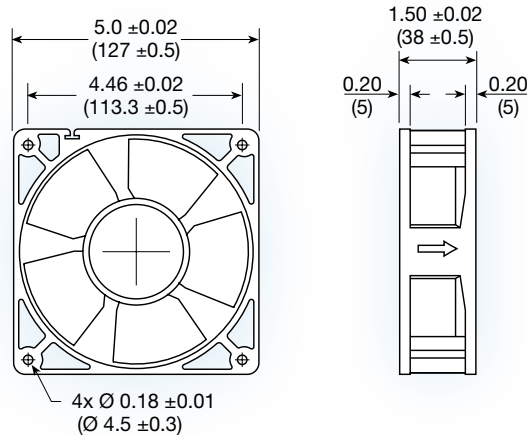


G1338 series



(127 x127 x 38 mm)

5 x 5 x 1.5 inches

Construction: UL94V-0 PBT impeller & frame

Bearing option: ball bearing

Connection: AWG 24, UL1007 lead wires

Frame: flanged

Protection: thermal

Options: tachometer output or locked rotor alarm signal

Model No.	Rated Voltage V	Current mA			Speed RPM	Air Volume		Max. Static Pressure (H ₂ O)		Sound Noise dBa	Weight g
		12	24	48		M³/Min.	CFM	MM	INCH		
G1338S	12/24/48	350	220	130	2,000	2.46	87	6.22	0.24	37	355
G1338L	12/24/48	550	330	180	2,400	3.00	106	8.77	0.35	42	355
G1338M	12/24/48	850	480	250	2,800	3.46	122	11.73	0.46	46	355
G1338H	12/24/48	1200	650	330	3,200	3.99	141	15.10	0.59	49	355