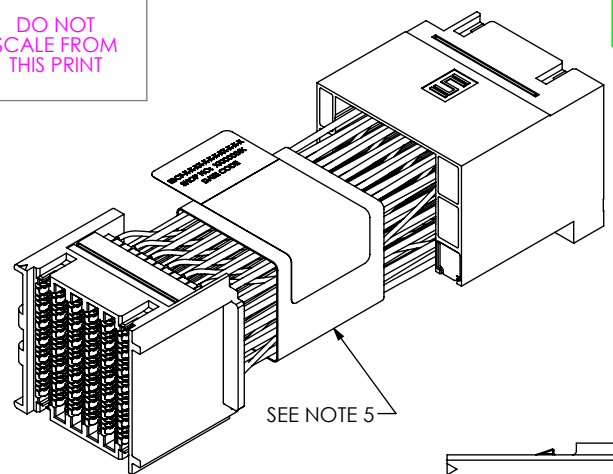


DO NOT SCALE FROM THIS PRINT

Pb THIS PRODUCT MANUFACTURED WITH LEAD-FREE PROCESSING



- CABLE STYLE AND SIGNAL MAP**
- 1: 34AWG TwinAx 100OHM Tx TO Rx SIGNAL MAP
 - 2: 30AWG TwinAx 100OHM Tx TO Rx SIGNAL MAP
 - 3: 34AWG TwinAx 100OHM 1:1 SIGNAL MAP
 - 4: 30AWG TwinAx 100OHM 1:1 SIGNAL MAP
 - *-5: 34AWG TwinAx 92.5OHM Tx TO Rx SIGNAL MAP
 - *-6: 34AWG ThinAx 92.5OHM Tx TO Rx SIGNAL MAP
 - *-7: 34AWG TwinAx 92.5OHM 1:1 SIGNAL MAP
 - *-8: 34AWG ThinAx 92.5OHM 1:1 SIGNAL MAP

PAIRS PER COLUMN
-6

COLUMNS
**-04, -06, -08, -10, -12, **-14, **-16

END 1
-V: VERTICAL LATCH

END 1 PIN CONFIGURATION
-1: STANDARD
*-2: ADVANCED MATE
*-3: SHORT DETECT
*-4: ADVANCED MATE AND SHORT DETECT

END 2 KEY
(-R OPTION ONLY)
-A THRU -H: POSITION OF FLAT ON KEY
BLANK: NO KEY

END 2 GUIDE
(-R OPTION ONLY)
-L: LEFT GUIDE
-R: RIGHT GUIDE

END 2 PIN CONFIGURATION
-1: STANDARD
*2: ADVANCED MATE
*3: SHORT DETECT
*4: ADVANCED MATE AND SHORT DETECT

END 2 OPTION
-V: VERTICAL LATCH
-R: RIGHT ANGLE

CABLE LENGTH
-XX (INCHES)
(06 INCHES MINIMUM, SEE NOTE 3)

(* = NOT TOOLED)
(** = SEE NOTE 7)

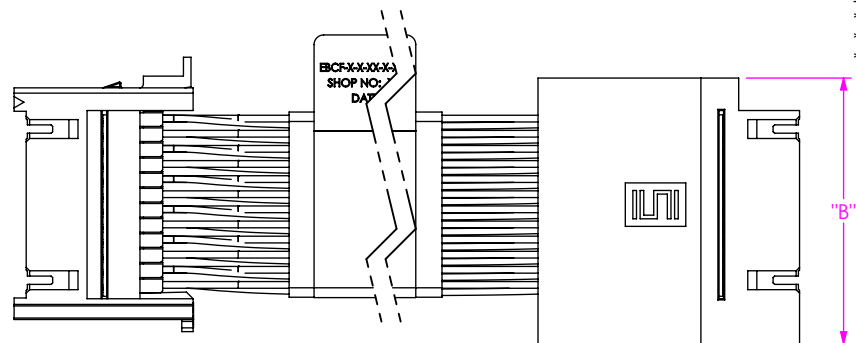
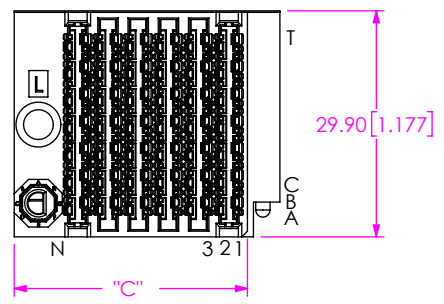
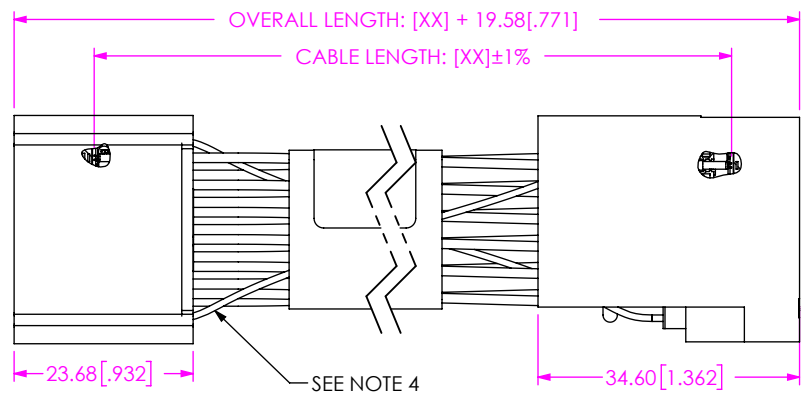
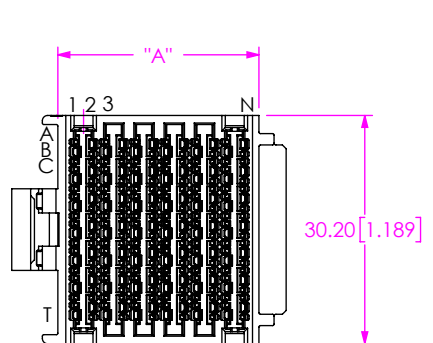


TABLE 1

COLUMNS	"A"	"B"	"C"
-04	10.60 [.417]	19.15 [.754]	14.85 [.585]
-06	14.60 [.575]	23.15 [.911]	18.85 [.742]
-08	18.60 [.732]	27.15 [1.069]	22.85 [.900]
-10	22.60 [.890]	31.15 [1.226]	26.85 [1.057]
-12	26.60 [1.047]	35.15 [1.384]	30.85 [1.215]
-14	30.60 [1.205]	39.15 [1.541]	34.85 [1.372]
-16	34.60 [1.362]	43.15 [1.699]	38.85 [1.530]



END 1 END 2

FIG 1
EBCF-X-6-12-V-1-XX-R-1-L-G SHOWN

- NOTES:
1. ALL ASSEMBLIES TO BE 100% HI-POT TESTED AT 300V.
 2. ALL ASSEMBLIES TO BE 100% ELECTRICALLY TESTED FOR SHORTS AND OPENS.
 3. CABLE LENGTHS LONGER THAN 40 INCHES ARE NOT SUPPORTED BY S.I. TEST DATA.
 4. LSX WIRE TO BE 34 AWG CO-AX STANDARD.
 5. EBCF COMES STANDARD WITH SRS CABLE SLEEVING.
 6. NOTE DELETED.
 7. CONTACT SAMTEC, CONFIGURATION NOT STANDARD.

PROPRIETARY NOTE
THIS DOCUMENT CONTAINS CONFIDENTIAL AND PROPRIETARY INFORMATION AND ALL DESIGN, MANUFACTURING, REPRODUCTION, USE, PATENT RIGHTS AND SALES RIGHTS ARE EXPRESSLY RESERVED BY SAMTEC, INC. THIS DOCUMENT SHALL NOT BE DISCLOSED, IN WHOLE OR PART, TO ANY UNAUTHORIZED PERSON OR ENTITY NOR REPRODUCED, TRANSFERRED OR INCORPORATED IN ANY OTHER PROJECT IN ANY MANNER WITHOUT THE EXPRESS WRITTEN CONSENT OF SAMTEC, INC.

MATERIAL: DO NOT SCALE DRAWING
SHEET SCALE: 1:1

INSULATOR: LCP
SIGNAL & GROUND PINS: COPPER ALLOY
PLATING: 30µ" SELECTIVE GOLD IN CONTACT AREA

samtec
520 PARK EAST BLVD, NEW ALBANY, IN 47150
PHONE: 812-944-6733 FAX: 812-948-5047
e-Mail: info@SAMTEC.com code 55322

DESCRIPTION: EXAMAX BACKPLANE CABLE
DWG. NO. EBCF-X-6-XX-V-X-XX-X-X-X-X
BY: D.SCHMELZ 6/15/2017 SHEET 1 OF 6

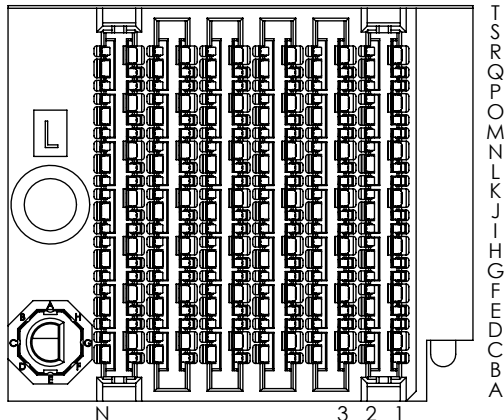
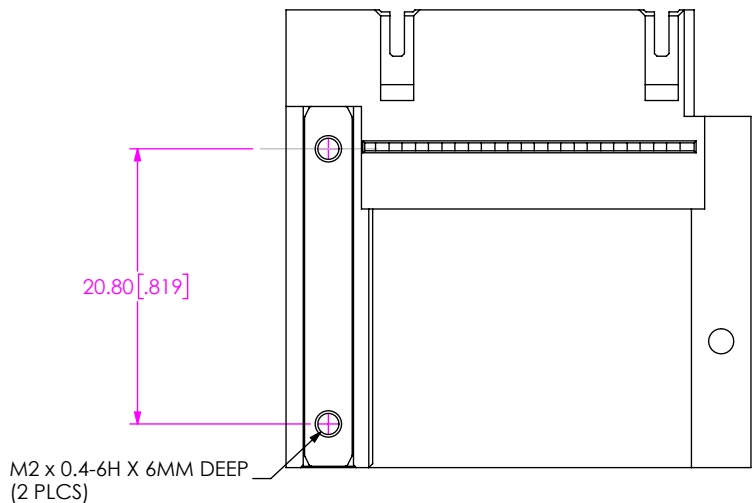


FIG 2
END 2, -R-1-L-G SHOWN



F:\DWG\MISC\MKTG\EBCF-X-6-XX-V-X-XX-X-X-X-MKT.SLDDRW

TABLE 2

GUIDANCE	KEYING							
	-A	-B	-C	-D	-E	-F	-G	-H
-R / -L								

• PROPRIETARY NOTE •
THIS DOCUMENT CONTAINS CONFIDENTIAL AND PROPRIETARY INFORMATION AND ALL DESIGN, MANUFACTURING, REPRODUCTION, USE, PATENT RIGHTS AND SALES RIGHTS ARE EXPRESSLY RESERVED BY SAMTEC, INC. THIS DOCUMENT SHALL NOT BE DISCLOSED, IN WHOLE OR PART, TO ANY UNAUTHORIZED PERSON OR ENTITY NOR REPRODUCED, TRANSFERRED OR INCORPORATED IN ANY OTHER PROJECT IN ANY MANNER WITHOUT THE EXPRESS WRITTEN CONSENT OF SAMTEC, INC.

DO NOT SCALE DRAWING
SHEET SCALE: 1:75:1



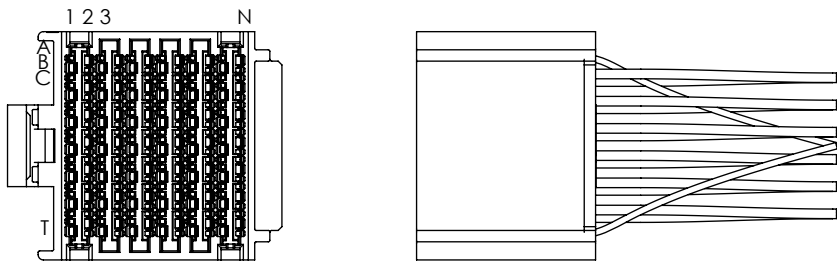
520 PARK EAST BLVD, NEW ALBANY, IN 47150
PHONE: 812-944-6733 FAX: 812-948-5047
e-Mail info@SAMTEC.com code 55322

DESCRIPTION:
EXAMAX BACKPLANE CABLE

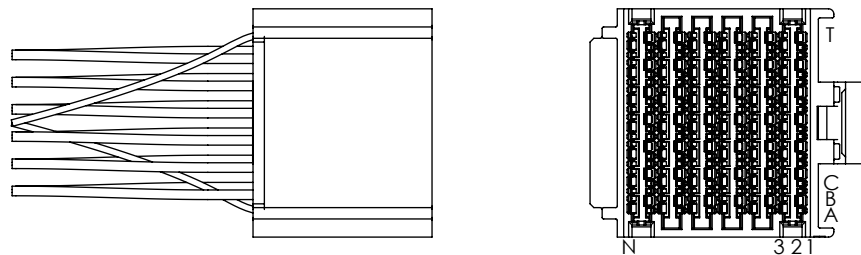
DWG. NO.
EBCF-X-6-XX-V-X-XX-X-X-X-X

BY: D.SCHMELZ 6/15/2017 SHEET 2 OF 6

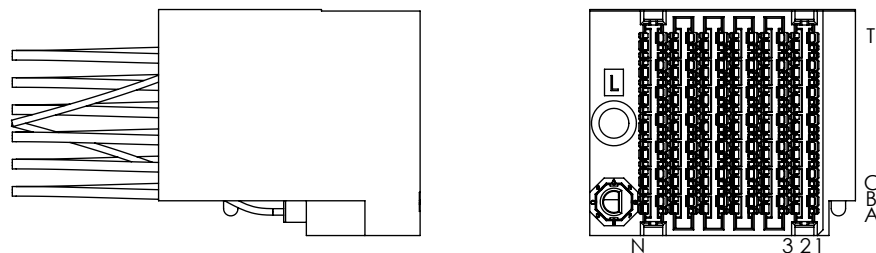
END 1 ORIENTATION



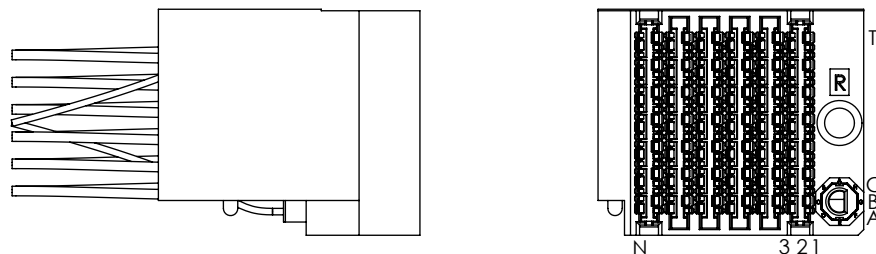
END 2 ORIENTATIONS



EBCF-X-6-12-V-1-XX-V-1 SHOWN



EBCF-X-6-12-V-1-XX-R-1-L-G SHOWN



EBCF-X-6-12-V-1-XX-R-1-R-G SHOWN

PROPRIETARY NOTE
 THIS DOCUMENT CONTAINS CONFIDENTIAL AND PROPRIETARY INFORMATION AND ALL DESIGN, MANUFACTURING, REPRODUCTION, USE, PATENT RIGHTS AND SALES RIGHTS ARE EXPRESSLY RESERVED BY SAMTEC, INC. THIS DOCUMENT SHALL NOT BE DISCLOSED, IN WHOLE OR PART, TO ANY UNAUTHORIZED PERSON OR ENTITY NOR REPRODUCED, TRANSFERRED OR INCORPORATED IN ANY OTHER PROJECT IN ANY MANNER WITHOUT THE EXPRESS WRITTEN CONSENT OF SAMTEC, INC.

samtec
 520 PARK EAST BLVD, NEW ALBANY, IN 47150
 PHONE: 812-944-6733 FAX: 812-948-5047
 e-Mail info@SAMTEC.com code 55322

DO NOT SCALE DRAWING

SHEET SCALE: 1:1

DESCRIPTION:
 EXAMAX BACKPLANE CABLE

DWG. NO.
 EBCF-X-6-XX-V-X-XX-X-X-X-X

BY: D.SCHMELZ 6/15/2017 SHEET 3 OF 6

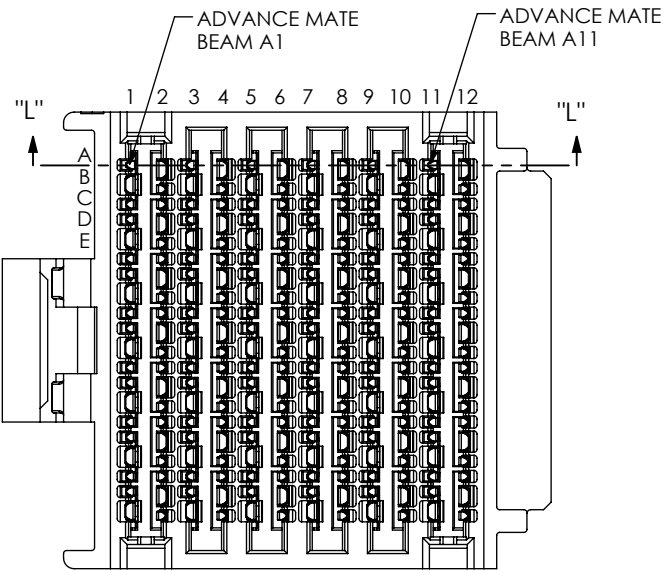
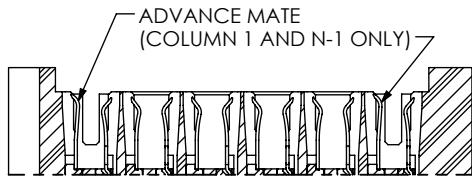


FIG 3
 ADVANCED MATE
 EBCF-X-6-12-V-2 SHOWN
 (DIFFERENT AS SHOWN, OTHERWISE SAME AS FIG 1)
 (NOT TOOLED)



SECTION "L"-"L"
 SCALE 2 : 1

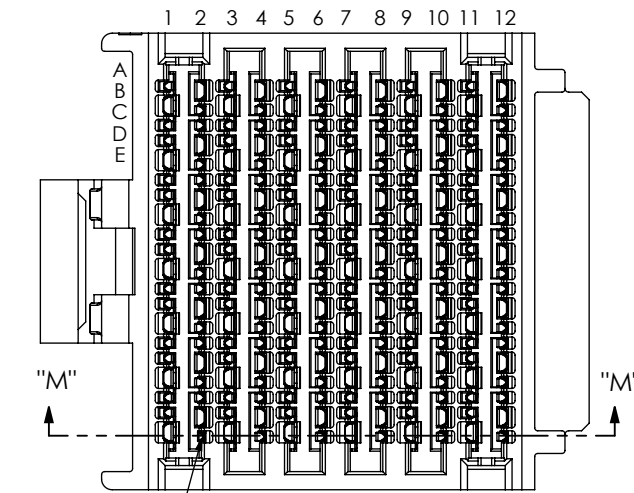
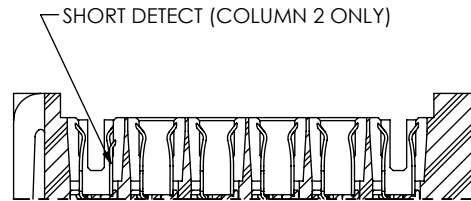


FIG 4
 SHORT DETECT
 EBCF-X-6-12-V-3 SHOWN
 (DIFFERENT AS SHOWN, OTHERWISE SAME AS FIG 1)
 (NOT TOOLED)



SECTION "M"-"M"
 SCALE 2 : 1

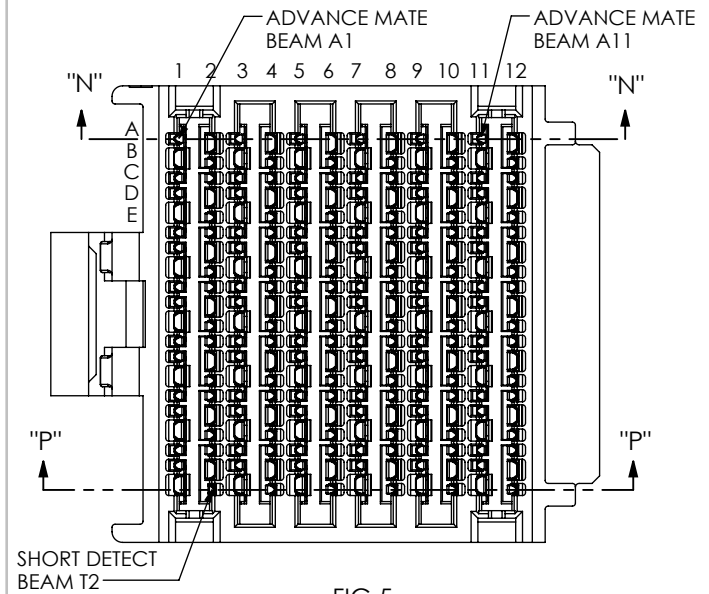
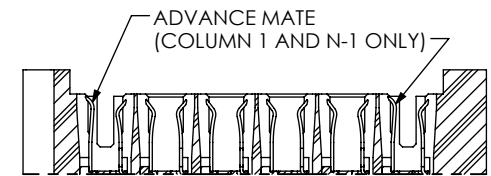
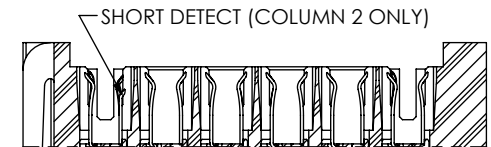


FIG 5
 ADVANCED MATE AND SHORT DETECT
 EBCF-X-6-12-V-2 SHOWN
 (DIFFERENT AS SHOWN, OTHERWISE SAME AS FIG 3 & 4)
 (NOT TOOLED)



SECTION "N"-"N"
 SCALE 2 : 1



SECTION "P"-"P"
 SCALE 2 : 1

PROPRIETARY NOTE
 THIS DOCUMENT CONTAINS CONFIDENTIAL AND PROPRIETARY INFORMATION AND ALL DESIGN, MANUFACTURING, REPRODUCTION, USE, PATENT RIGHTS AND SALES RIGHTS ARE EXPRESSLY RESERVED BY SAMTEC, INC. THIS DOCUMENT SHALL NOT BE DISCLOSED, IN WHOLE OR PART, TO ANY UNAUTHORIZED PERSON OR ENTITY NOR REPRODUCED, TRANSFERRED OR INCORPORATED IN ANY OTHER PROJECT IN ANY MANNER WITHOUT THE EXPRESS WRITTEN CONSENT OF SAMTEC, INC.



520 PARK EAST BLVD, NEW ALBANY, IN 47150
 PHONE: 812-944-6733 FAX: 812-948-5047
 e-Mail info@SAMTEC.com code 55322

DO NOT SCALE DRAWING

SHEET SCALE: 1:1

DESCRIPTION:
 EXAMAX BACKPLANE CABLE

DWG. NO.
EBCF-X-6-XX-V-X-XX-X-X-X-X

BY: D.SCHMELZ 6/15/2017 SHEET 4 OF 6

6 PAIR SIGNAL MAPPING FOR -1 AND -2 SIGNAL MAP OPTIONS									
"B" WAFERS (ODD NUMBER COLUMNS)					"A" WAFERS (EVEN NUMBER COLUMNS)				
END 1		PAIR	END 2		END 1		PAIR	END 2	
POSITION	SYMBOL		POSITION	SYMBOL	POSITION	SYMBOL		POSITION	SYMBOL
A1	LS1	PAIR	A1	LS1	PAIR	A2	GND	S2	GND
B1	GND		T1	GND		B2	TX4+	R2	RX4+
C1	TX1+	PAIR	S1	RX1+	PAIR	C2	TX4-	Q2	RX4-
D1	TX1-		R1	RX1-		D2	GND	P2	GND
E1	GND	PAIR	Q1	GND	PAIR	E2	TX5+	O2	RX5+
F1	TX2+		P1	RX2+		F2	TX5-	N2	RX5-
G1	TX2-	PAIR	O1	RX2-	PAIR	G2	GND	M2	GND
H1	GND		N1	GND		H2	TX6+	L2	RX6+
I1	TX3+	PAIR	M1	RX3+	PAIR	I2	TX6-	K2	RX6-
J1	TX3-		L1	RX3-		J2	GND	J2	GND
K1	GND	PAIR	K1	GND	PAIR	K2	RX6-	I2	TX6-
L1	RX3-		J1	TX3-		L2	RX6+	H2	TX6+
M1	RX3+	PAIR	I1	TX3+	PAIR	M2	GND	G2	GND
N1	GND		H1	GND		N2	RX5-	F2	TX5-
O1	RX2-	PAIR	G1	TX2-	PAIR	O2	RX5+	E2	TX5+
P1	RX2+		F1	TX2+		P2	GND	D2	GND
Q1	GND	PAIR	E1	GND	PAIR	Q2	RX4-	C2	TX4-
R1	RX1-		D1	TX1-		R2	RX4+	B2	TX4+
S1	RX1+	PAIR	C1	TX1+	PAIR	S2	GND	A2	GND
T1	GND		B1	GND		T2	LS2	T2	LS2

ALL GROUNDS ARE COMMON AND TIED TO CABLE SHIELD

6 PAIR SIGNAL MAPPING FOR -3 AND -4 SIGNAL MAP OPTIONS									
"B" WAFERS (ODD NUMBER COLUMNS)					"A" WAFERS (EVEN NUMBER COLUMNS)				
END 1		PAIR	END 2		END 1		PAIR	END 2	
POSITION	SYMBOL		POSITION	SYMBOL	POSITION	SYMBOL		POSITION	SYMBOL
A1	LS1	PAIR	A1	LS1	PAIR	A2	GND	A2	GND
B1	GND		B1	GND		B2	TX4+	B2	TX4+
C1	TX1+	PAIR	C1	TX1+	PAIR	C2	TX4-	C2	TX4-
D1	TX1-		D1	TX1-		D2	GND	D2	GND
E1	GND	PAIR	E1	GND	PAIR	E2	TX5+	E2	TX5+
F1	TX2+		F1	TX2+		F2	TX5-	F2	TX5-
G1	TX2-	PAIR	G1	TX2-	PAIR	G2	GND	G2	GND
H1	GND		H1	GND		H2	TX6+	H2	TX6+
I1	TX3+	PAIR	I1	TX3+	PAIR	I2	TX6-	I2	TX6-
J1	TX3-		J1	TX3-		J2	GND	J2	GND
K1	GND	PAIR	K1	GND	PAIR	K2	RX6-	K2	RX6-
L1	RX3-		L1	RX3-		L2	RX6+	L2	RX6+
M1	RX3+	PAIR	M1	RX3+	PAIR	M2	GND	M2	GND
N1	GND		N1	GND		N2	RX5-	N2	RX5-
O1	RX2-	PAIR	O1	RX2-	PAIR	O2	RX5+	O2	RX5+
P1	RX2+		P1	RX2+		P2	GND	P2	GND
Q1	GND	PAIR	Q1	GND	PAIR	Q2	RX4-	Q2	RX4-
R1	RX1-		R1	RX1-		R2	RX4+	R2	RX4+
S1	RX1+	PAIR	S1	RX1+	PAIR	S2	GND	S2	GND
T1	GND		T1	GND		T2	LS2	T2	LS2

ALL GROUNDS ARE COMMON AND TIED TO CABLE SHIELD

ROW	6 PAIR PIN-OUT															
	1	2	3	4	5	6	7	8	9	10	11	12	13	14	15	16
A	LS1	GND	LS3	GND	LS5	GND	LS7	GND	LS9	GND	LS11	GND	LS13	GND	LS15	GND
B	GND	TX4+	GND	TX10+	GND	TX16+	GND	TX22+	GND	TX28+	GND	TX34+	GND	TX40+	GND	TX46+
C	TX1+	TX4-	TX7+	TX10-	TX13+	TX16-	TX19+	TX22-	TX25+	TX28-	TX31+	TX34-	TX37+	TX40-	TX43+	TX46-
D	TX1-	GND	TX7-	GND	TX13-	GND	TX19-	GND	TX25-	GND	TX31-	GND	TX37-	GND	TX43-	GND
E	GND	TX5+	GND	TX11+	GND	TX17+	GND	TX23+	GND	TX29+	GND	TX35+	GND	TX41+	GND	TX47+
F	TX2+	TX5-	TX8+	TX11-	TX14+	TX17-	TX20+	TX23-	TX26+	TX29-	TX32+	TX35-	TX38+	TX41-	TX44+	TX47-
G	TX2-	GND	TX8-	GND	TX14-	GND	TX20-	GND	TX26-	GND	TX32-	GND	TX38-	GND	TX44-	GND
H	GND	TX6+	GND	TX12+	GND	TX18+	GND	TX24+	GND	TX30+	GND	TX36+	GND	TX42+	GND	TX48+
I	TX3+	TX6-	TX9+	TX12-	TX15+	TX18-	TX21+	TX24-	TX27+	TX30-	TX33+	TX36-	TX39+	TX42-	TX45+	TX48-
J	TX3-	GND	TX9-	GND	TX15-	GND	TX21-	GND	TX27-	GND	TX33-	GND	TX39-	GND	TX45-	GND
K	GND	RX6-	GND	RX12-	GND	RX18-	GND	RX24-	GND	RX30-	GND	RX36-	GND	RX42-	GND	RX48-
L	RX3-	RX6+	RX9-	RX12+	RX15-	RX18+	RX21-	RX24+	RX27-	RX30+	RX33-	RX36+	RX39-	RX42+	RX45-	RX48+
M	RX3+	GND	RX9+	GND	RX15+	GND	RX21+	GND	RX27+	GND	RX33+	GND	RX39+	GND	RX45+	GND
N	GND	RX5-	GND	RX11-	GND	RX17-	GND	RX23-	GND	RX29-	GND	RX35-	GND	RX41-	GND	RX47-
O	RX2-	RX5+	RX8-	RX11+	RX14-	RX17+	RX20-	RX23+	RX26-	RX29+	RX32-	RX35+	RX38-	RX41+	RX44-	RX47+
P	RX2+	GND	RX8+	GND	RX14+	GND	RX20+	GND	RX26+	GND	RX32+	GND	RX38+	GND	RX44+	GND
Q	GND	RX4	GND	RX10-	GND	RX16-	GND	RX22-	GND	RX28-	GND	RX34	GND	RX40	GND	RX46-
R	RX1-	RX4+	RX7-	RX10+	RX13-	RX16+	RX19-	RX22+	RX25-	RX28+	RX31-	RX34+	RX37-	RX40+	RX43-	RX46+
S	RX1+	GND	RX7+	GND	RX13+	GND	RX19+	GND	RX25+	GND	RX31+	GND	RX37	GND	RX43+	GND
T	GND	LS2	GND	LS4	GND	LS6	GND	LS8	GND	LS10	GND	LS12	GND	LS14	GND	LS16
WAVER	1	2	3	4	5	6	7	8	9	10	11	12	13	14	15	16
	B	A	B	A	B	A	B	A	B	A	B	A	B	A	B	A

F:\DWG\MISC\MKTG\EBCF-X-6-XX-V-X-XX-X-X-X-MKT.SLDDRW

PROPRIETARY NOTE
 THIS DOCUMENT CONTAINS CONFIDENTIAL AND PROPRIETARY INFORMATION AND ALL DESIGN, MANUFACTURING, REPRODUCTION, USE, PATENT RIGHTS AND SALES RIGHTS ARE EXPRESSLY RESERVED BY SAMTEC, INC. THIS DOCUMENT SHALL NOT BE DISCLOSED, IN WHOLE OR PART, TO ANY UNAUTHORIZED PERSON OR ENTITY NOR REPRODUCED, TRANSFERRED OR INCORPORATED IN ANY OTHER PROJECT IN ANY MANNER WITHOUT THE EXPRESS WRITTEN CONSENT OF SAMTEC, INC.



520 PARK EAST BLVD, NEW ALBANY, IN 47150
 PHONE: 812-944-6733 FAX: 812-948-5047
 e-Mail: info@SAMTEC.com code 55322

DO NOT SCALE DRAWING

SHEET SCALE: 1:1

DESCRIPTION: EXAMAX BACKPLANE CABLE
 DWG. NO. EBCF-X-6-XX-V-X-XX-X-X-X-X
 BY: D.SCHMELZ 6/15/2017 SHEET 5 OF 6

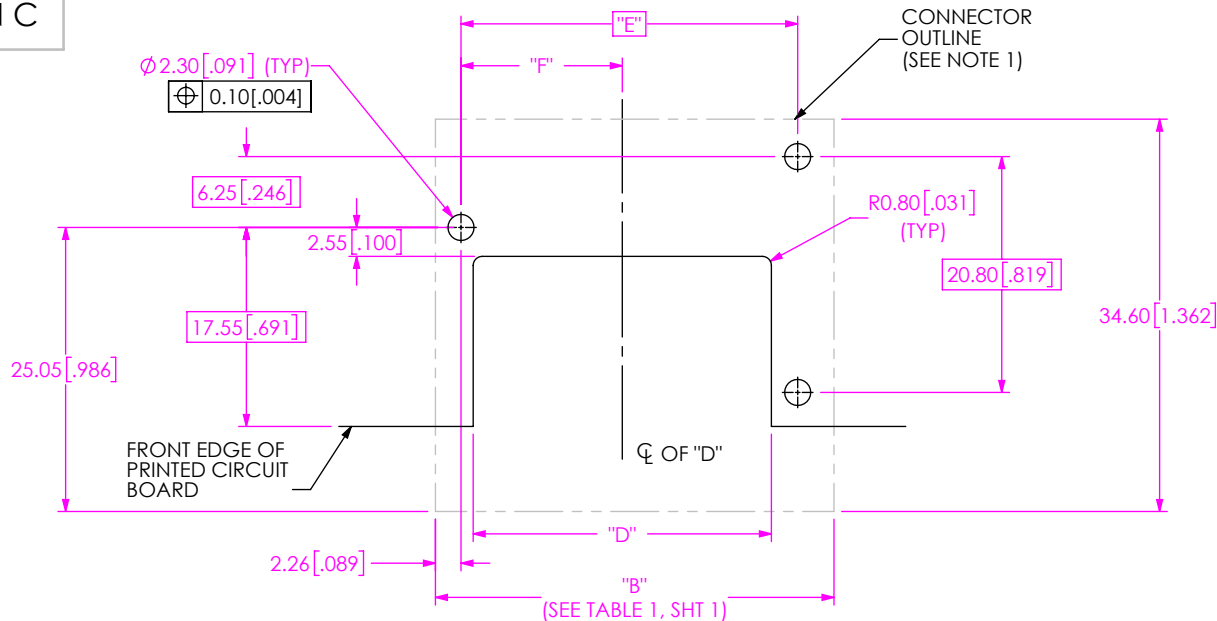


FIG 6
PCB CUTOUT FOR END 2, RIGHT GUIDANCE
EBCF-X-6-12-V-X-XX-R-X-R-X SHOWN

TABLE 3			
COLUMNS	"D"	"E"	"F"
-04	10.30 [.406]	13.70 [.539]	6.23 [.245]
-06	14.30 [.563]	17.70 [.697]	8.23 [.324]
-08	18.30 [.720]	21.70 [.854]	10.23 [.403]
-10	22.30 [.878]	25.70 [1.012]	12.23 [.481]
-12	26.30 [1.035]	29.70 [1.169]	14.23 [.560]
-14	30.30 [1.193]	33.70 [1.327]	16.23 [.639]
-16	34.30 [1.350]	37.70 [1.484]	18.23 [.718]

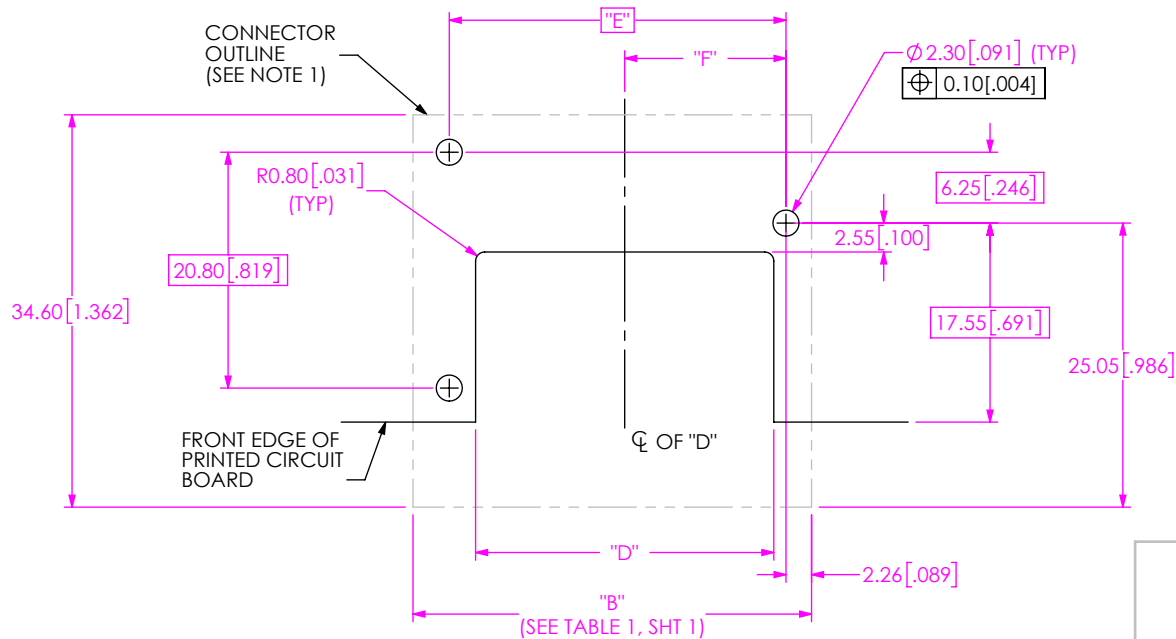



FIG 7
PCB CUTOUT FOR END 2, LEFT GUIDANCE
EBCF-X-6-12-V-X-XX-R-X-L-X SHOWN
(DIFFERENT AS SHOWN, OTHERWISE SAME AS FIG 6)

PCB NOTES:
1. CONNECTOR ENVELOPE DIMENSIONS. OTHER COMPONENTS
PLACED ON PCB SHALL AVOID THIS ZONE.

<p>PROPRIETARY NOTE</p> <p>THIS DOCUMENT CONTAINS CONFIDENTIAL AND PROPRIETARY INFORMATION AND ALL DESIGN, MANUFACTURING, REPRODUCTION, USE, PATENT RIGHTS AND SALES RIGHTS ARE EXPRESSLY RESERVED BY SAMTEC, INC. THIS DOCUMENT SHALL NOT BE DISCLOSED, IN WHOLE OR PART, TO ANY UNAUTHORIZED PERSON OR ENTITY NOR REPRODUCED, TRANSFERRED OR INCORPORATED IN ANY OTHER PROJECT IN ANY MANNER WITHOUT THE EXPRESS WRITTEN CONSENT OF SAMTEC, INC.</p>	 <p>520 PARK EAST BLVD., NEW ALBANY, IN 47150 PHONE: 812-944-6733 FAX: 812-948-5047 e-Mail: info@SAMTEC.com code 55322</p>	
	<p>DO NOT SCALE DRAWING SHEET SCALE: 1:1</p>	<p>DESCRIPTION: EXAMAX BACKPLANE CABLE</p> <p>DWG. NO. EBCF-X-6-XX-V-X-XX-X-X-X-X</p> <p>BY: D.SCHMELZ 6/15/2017 SHEET 6 OF 6</p>