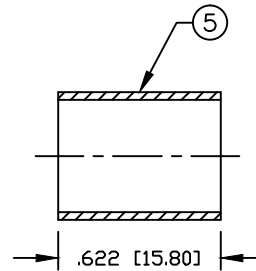
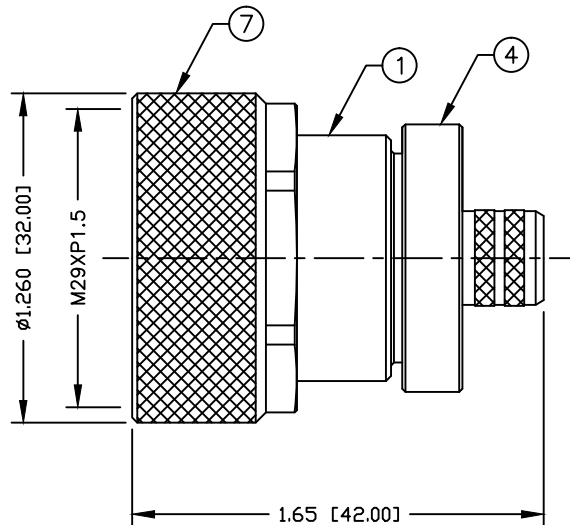


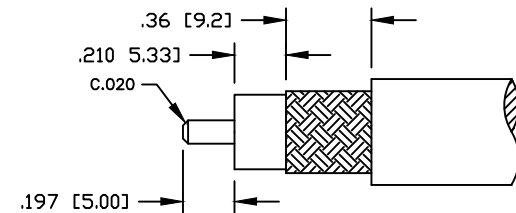
PART NO.

RFD-1604-2I

REV	DESCRIPTION	DWN	DATE	APPROVED
C1	UPDATED CONNECTOR DESCRIPTION IN TITLE BLOCK	CZS	08/22/18	JDMc



RECOMMENDED CRIMP DIE .429"



RECOMMENDED STRIPPING DIMENSIONS

SPECIFICATIONS:

IMPEDANCE: 50 Ohms

FREQUENCY RANGE: 0-7.5 GHz

PEAK POWER: 13.2 Kw max.

AVERAGE POWER: 3.0 Kw max.

TEMPERATURE RANGE: -55°C TO 165°C

FOR BELDEN 8214, 9913, 9913F, 9914, RG-8/U TYPE,
CAROL C1180, TIMES AA-5886 & LMR-400 CABLE

8	GASKET	1	SILICONE	----
7	COUPLING NUT	1	BRASS	WHITE BRONZE
6	GASKET	1	SILICONE	----
5	FERRULE	1	BRASS	WHITE BRONZE
4	FERRULE STUD	1	BRASS	WHITE BRONZE
3	PIN	1	Be.Cu.	SILVER
2	INSULATOR	1	PTFE	----
1	BODY	1	BRASS	WHITE BRONZE
#	DESCRIPTION	QTY	MATERIAL	FINISH

CUSTOMER

OUTLINE DRAWING

ALL DIMENSIONS
ARE REFERENCE ONLYUNLESS OTHERWISE SPECIFIED:
DIMENSIONS ARE IN INCHES
AND [MILLIMETERS]DRAWN
C. ZUNIGA 08/22/18

CHECKED

ORJ DRAWN
C. ZUNIGA 2/12/02**RoHS
COMPLIANT**PROPRIETARY AND CONFIDENTIAL
THIS DRAWING CONTAINS
INFORMATION PROPRIETARY TO
RF INDUSTRIES. ANY
UNAUTHORIZED USE OF THIS
DRAWING IS EXPRESSLY
PROHIBITED WITHOUT WRITTEN
PERMISSION FROM RF
INDUSTRIES. ANY VIOLATION IS
PUNISHABLE UNDER U.S.
COPYRIGHT LAWS.**RFconnectors**
DIVISION OF RF INDUSTRIES, LTD.RFINDUSTRIES.COM
7610 MIRAMAR RD.
SAN DIEGO, CA 92126
(858) 549-6340
(858) 549-6345 FAX**7/16 DIN PLUG, CRIMP**
CAPTIVE PIN

SIZE	CABLE GROUP	DWG NO.	REV
A	I	RFD-1604-2I	C1
SCALE:	ENGINEERING ID:	SHEET 1 OF 1	
NTS	008974		