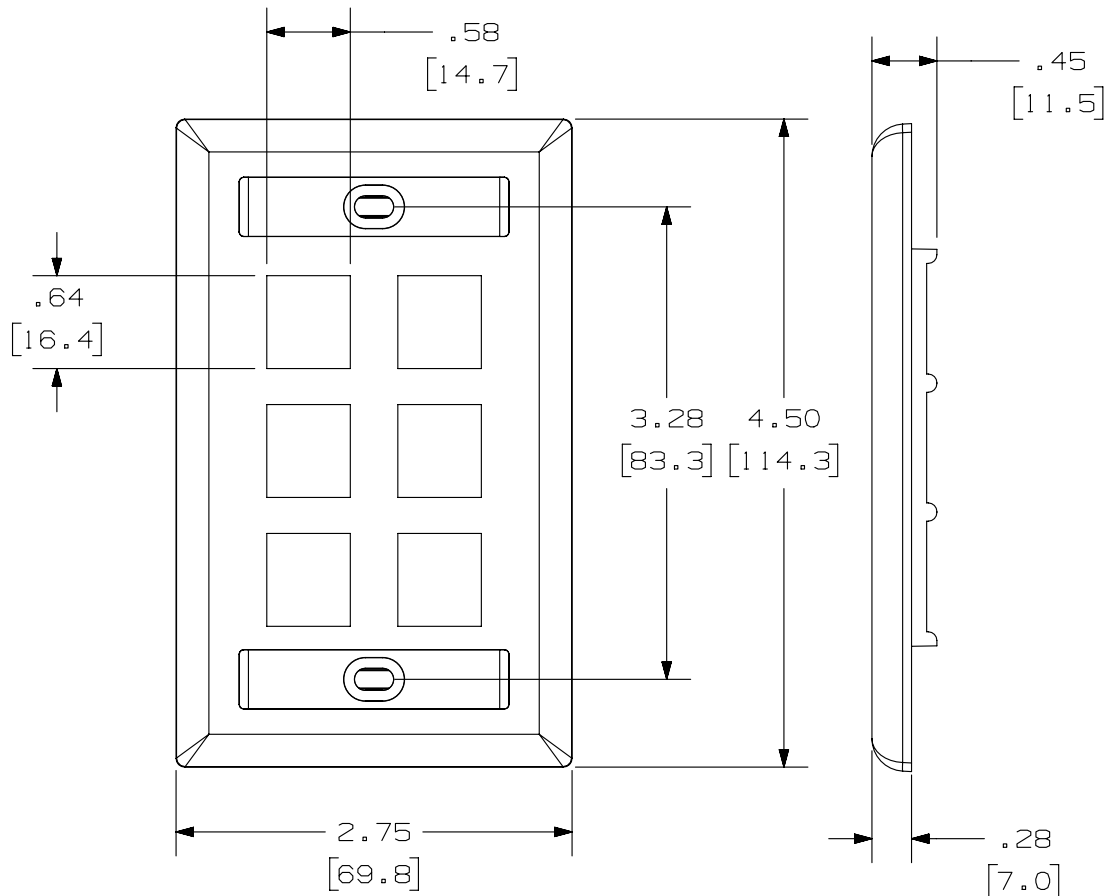


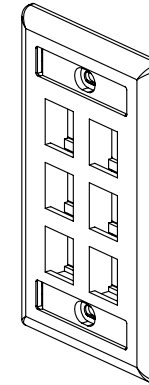
THIS COPY IS PROVIDED ON A RESTRICTED BASIS AND IS NOT TO BE USED IN ANY WAY DETRIMENTAL TO THE INTERESTS OF PANDUIT CORP.



PANDUIT P/N	WEIGHT
NK6F**Y	.52 LB/10 PCS (234 g/10 PCS)

NOTES:

1. SEE CURRENT CATALOG FOR ADDITIONAL PART SUFFIXES TO INDICATE COLOR AND OR PACKAGE QUANTITY.
2. FACEPLATE WILL ACCEPT SIX STANDARD NETKEY MODULES.
3. PART INCLUDES:
 - 1- FACEPLATE
 - 2- MOUNTING SCREW
 - 2- LABEL
 - 2- LABEL COVER
4. DIMENSIONS IN [] ARE IN METRIC.



PART NUMBER		NK6F**Y	
TITLE			
NETKEY 6 POSITION SINGLE GANG FACEPLATE WITH LABEL			
CUSTOMER DRAWING			
ITEM REVISION NAME		M02479BH/02	
DATASET FILE NAME		M02479BH_DC034/00B	
UNLESS OTHERWISE SPECIFIED, DIMENSIONAL TOLERANCES ARE: IN [mm]		MATERIAL:	
.x ± .xxx ± .010 [.3]		ABS	
.xx ± .03 [.8] ANGLES ±		DRAWING NUMBER:	
THIRD ANGLE PROJECTION		02479-034	
DRAWN BY	DATE	CHK	SCALE
JSP	12-3-01	REFR	NONE
REV	DATE	BY	CHK
1	5-13-14	MDJR	REFR
R	7-29-06	JSP	
DESCRIPTION		ECN	
A. UPDATED TITLE BLOCK.		02479-034	
RELEASED TO PRODUCTION		02479-034	
DESCRIPTION		ECN	

D10100DA/14