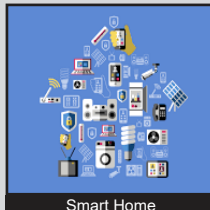


EG1215 SERIES SLIDE SWITCH

ANTI-VANDAL SWITCHES
 DETECTOR SWITCHES
 DIP SWITCHES
 KEYLOCK SWITCHES
 NAVIGATION SWITCHES
 PUSHBUTTON SWITCHES
 ROCKER SWITCHES
 ROTARY SWITCHES
SLIDE SWITCHES
 SNAP ACTION SWITCHES
 TACTILE SWITCHES
 TOGGLE SWITCHES
 CAP OPTIONS



APPLICATIONS / MARKETS



RoHS

SPECIFICATIONS

Contact Rating: 25mA @ 24VDC
Electrical Life: 10,000 Cycles
Contact Resistance: 70mΩ Max
Insulation Resistance: 1MΩ Min @ 100VDC
Dielectric Strength: 100VAC for 1 Minute
Operating Temperature: -20°C to 70°C
Storage Temperature: -40°C to 85°C
Travel: 1.50mm
Contact Arrangement: SPDT
Actuation Force: 150±100gF

FEATURES & BENEFITS

- Surface mount PC board design
- 1.50mm travel
- Compact design
- 150 gram force
- SPDT function

PART NUMBER CONFIGURATOR

Series



EG1215

Actuator Option



A - 1.30mm

Function Option



A - SPDT

Specifications subject to change without notice 8.2.2018



E-SWITCH®

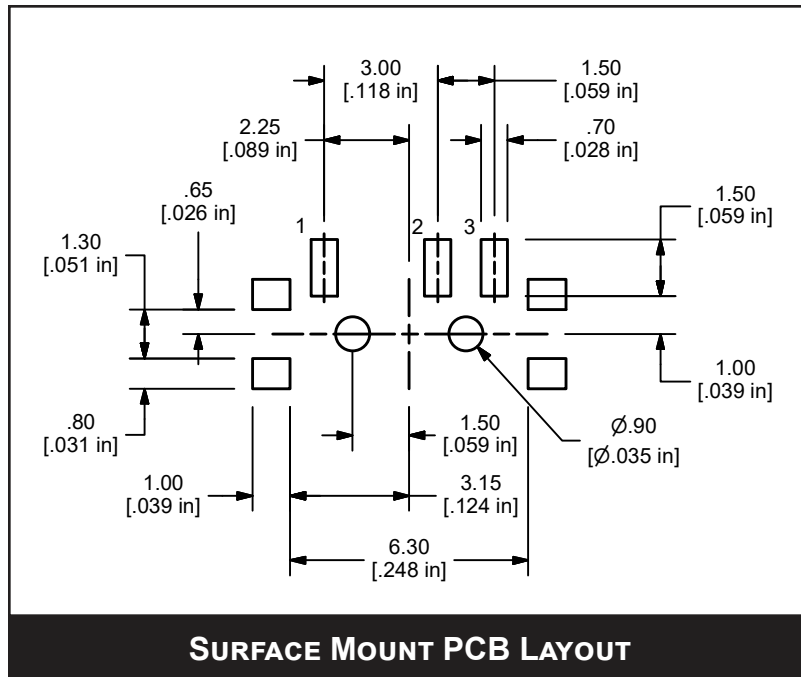
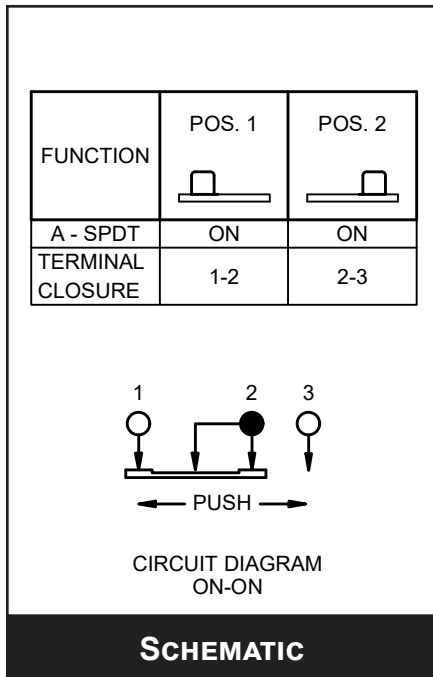
www.e-switch.com

800.867.2717

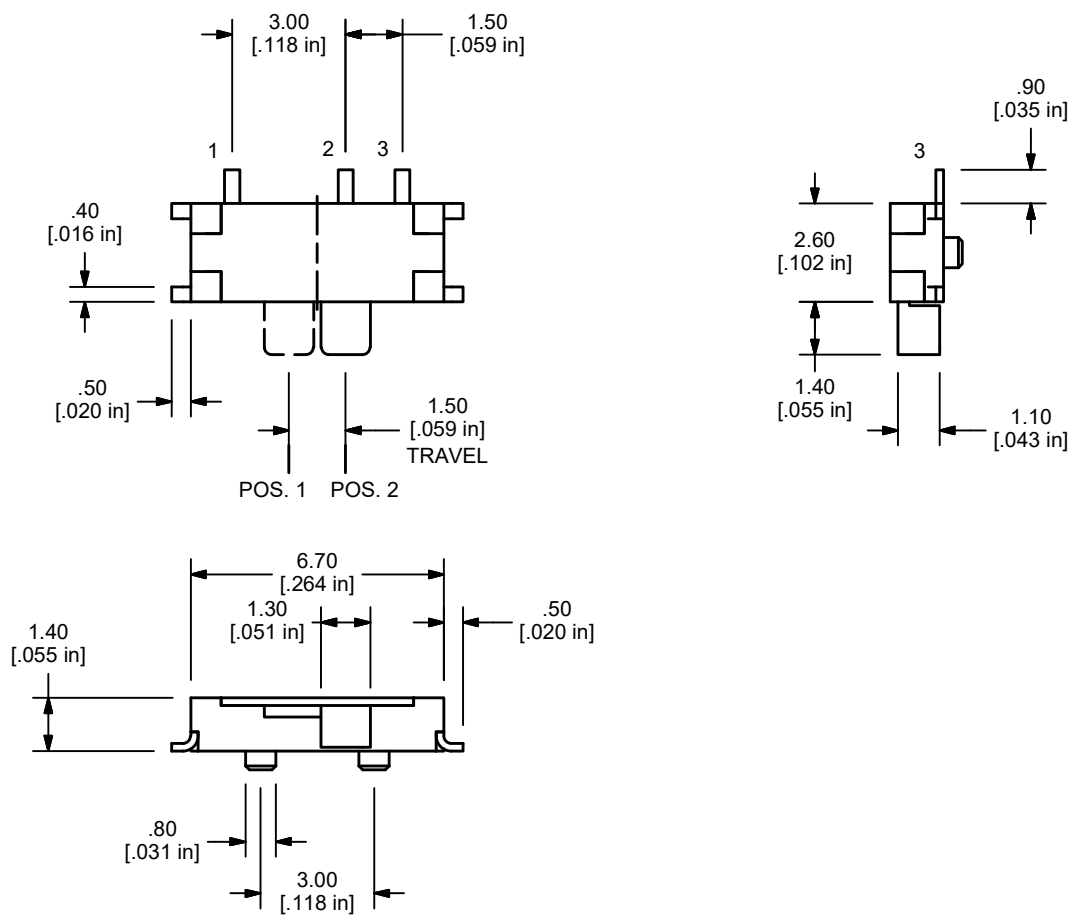
1

EG1215 SERIES SLIDE SWITCH

BODY DIMENSIONS



A - SPDT - FUNCTION OPTION



- ANTI-VANDAL SWITCHES
- DETECTOR SWITCHES
- DIP SWITCHES
- KEYLOCK SWITCHES
- NAVIGATION SWITCHES
- PUSHBUTTON SWITCHES
- ROCKER SWITCHES
- ROTARY SWITCHES
- SLIDE SWITCHES
- SNAP ACTION SWITCHES
- TACTILE SWITCHES
- TOGGLE SWITCHES
- CAP OPTIONS