

FEMALE PLUG M12 STRAIGHT



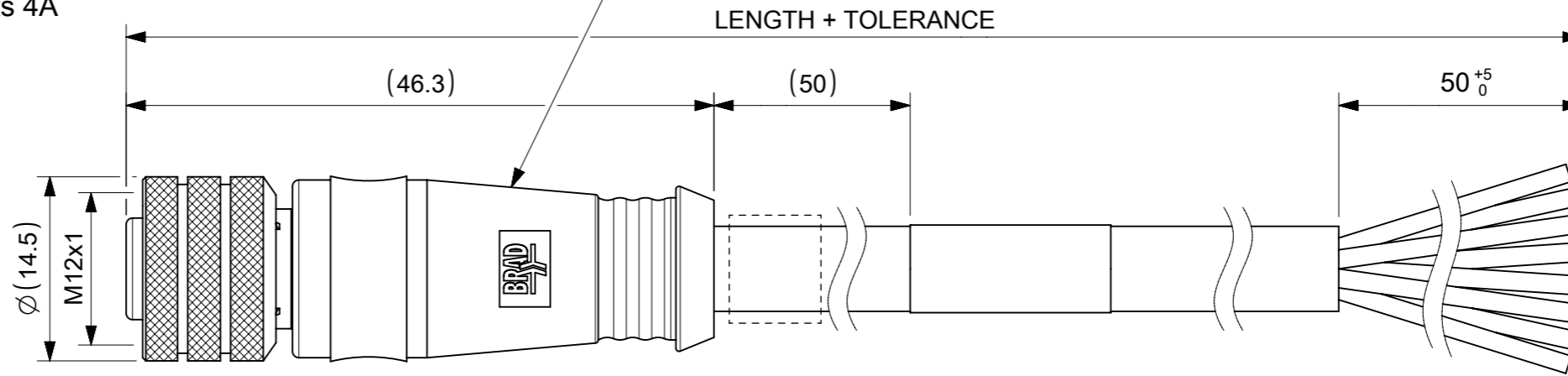
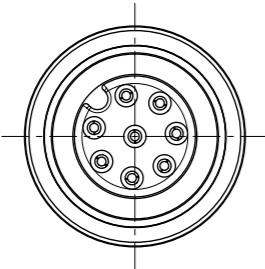
NOTES:

RATED VOLTAGE: 3, 4 contacts 250V
 5 contacts 60V
 8 contacts 30V

RATED CURRENT: 3, 4, 5 contacts 4A
 8 contacts 2A

PROTECTION CLASS: IP 67
 TEMPERATURE: -25°C / +85°C

Thicker Overmold for Cables with bigger Outer Diameter



CONTACTS POSITION FRONT VIEW:

| 3 CONTACTS | | 4 CONTACTS | | 5 CONTACTS | | 8 CONTACTS | |
|------------|-------|------------|-------|------------|-------|------------|--------|
| | | | | | | | |
| PIN | WIRE | PIN | WIRE | PIN | WIRE | PIN | WIRE |
| 1 | BROWN | 1 | BROWN | 1 | BROWN | 1 | WHITE |
| 2 | --- | 2 | WHITE | 2 | WHITE | 2 | BROWN |
| 3 | BLUE | 3 | BLUE | 3 | BLUE | 3 | GREEN |
| 4 | BLACK | 4 | BLACK | 4 | BLACK | 4 | YELLOW |
| 5 | --- | 5 | --- | 5 | GREY | 5 | GREY |
| | | | | | | 6 | PINK |
| | | | | | | 7 | BLUE |
| | | | | | | 8 | RED |

CODING REQUIRED TO IEC 61076-2-101

FOR OPTIONS SEE - NUMERICAL CODE - ON SHEET 2

| ITEM | QTY. | DESCRIPTION | MATERIAL | FINISH |
|------|----------------|---------------------|---------------|----------------------|
| 8 | SEE MATRIX | ID CARRIER | PVC | TRANSPARENT |
| 7 | 1 | LABEL YELLOW | VINYL | --- |
| 6 | - | CABLE | SEE SHEET 2 | --- |
| 5 | - | OVERMOLDING | TPU | SEE PART LIST |
| 4 | 1 | COUPLING NUT FEMALE | SEE PART LIST | SEE PART LIST |
| 3 | 1 | INSERT FEMALE BLACK | PUR | --- |
| 2 | 1 | ORING RED | FPM | --- |
| 1 | 3 / 4 / 5 8 | CONTACT M12 FEMALE | BRONZE | SELECTIVE Au OVER Ni |
| | | | BRASS | SELECTIVE Au OVER Ni |

THIS DRAWING CONTAINS INFORMATION THAT IS PROPRIETARY TO MOLEX ELECTRONIC TECHNOLOGIES, LLC AND SHOULD NOT BE USED WITHOUT WRITTEN PERMISSION

| | | | |
|--|--------|---|----------------------------|
| DIMENSION UNITS | SCALE | CURRENT REV DESC: NEW PN ADD TO DRAWING | |
| mm | 2:1 | | |
| GENERAL TOLERANCES (UNLESS SPECIFIED) | | | |
| ANGULAR TOL | ± 1.0° | | |
| 4 PLACES | ± | EC NO: 726420 | |
| 3 PLACES | ± | DRWN: RSILLER | 2022/10/28 |
| 2 PLACES | ± 0.05 | CHK'D: THAERDT | 2022/10/28 |
| 1 PLACE | ± 0.3 | APPR: THAERDT | 2022/10/28 |
| 0 PLACES | ± 0.5 | INITIAL REVISION: | |
| | | DRWN: JMARSZALEK | 2016/01/11 |
| | | APPR: RSILLER | 2016/04/08 |
| DRAFT WHERE APPLICABLE MUST REMAIN WITHIN DIMENSIONS | | THIRD ANGLE PROJECTION | |
| | | DRAWING | SERIES |
| | | A3-SIZE | 120065 |
| | | MATERIAL NUMBER | CUSTOMER |
| | | SEE SHEET 3-4 | GENERAL MARKET |
| | | DOCUMENT NUMBER | DOC TYPE DOC PART REVISION |
| | | 1200651978 | PSD 000 A11 |
| | | SHEET NUMBER | |
| | | 1 OF 4 | |

ENGINEERING NO. - NUMERICAL CODE (Available parts see PART LIST table. Others on request).

8 0 X 0 0 0 X X X X X X X X X

80=M12x1
Single ended

Contacts:
3=3 Contacts
4=4 Contacts
5=5 Contacts
8=8 Contacts

Heads style:
000=Plug Female Straight

Cable type: See Table

Units:
M=Meter

Length
Examples:
005=0.5 unit
010=1 unit
100=10 units

Overmold color:
Blank (Standard)=Black
A=Grey / G=Black / Y=Yellow

Coupling Nut:
Blank (Standard) & 3=Knurled Brass Ni Plated
1=Hexagonal Stainless steel
5=Knurled Derlin
7=Knurled Brass Ni Plated, Teflon Coated
9=Knurled / Hexagonal Brass Ni Plated

H= 2 pcs. of I/D Carrier PVC Transparent

COUPLING NUTS



CABLE INFORMATION (for more information see Cable Data Sheet).

| CABLE TYPE | NO. OF WIRES | CROSS SECTION | CABLE JACKET | UL | CSA | STATIC: TEMP. / BENDING RADIUS | DYNAMIC: TEMP. / BENDING RADIUS | DRAG CHAIN | SHIELD |
|------------|---------------|---------------------|-----------------|----------------|--------------------------|--------------------------------|---------------------------------|---|--------|
| E02 | 3 / 4 / 5 / 8 | 0.25mm ² | PVC BLACK | UL 2464/1729 | C22.2 I/II A/B 80°C/300V | -30°C to +80°C, 10xO.D. | -10°C to +80°C, 15xO.D. | - | - |
| E03 | 3 / 4 / 5 | 0.34mm ² | PVC BLACK | UL 2464/1729 | C22.2 I/II A/B 80°C/300V | -30°C to +80°C, 10xO.D. | -10°C to +80°C, 15xO.D. | - | - |
| H08 | 3 / 4 / 5 / 8 | 0.25mm ² | PUR BLACK LS0H | UL 21198/10493 | C22.2 I/II A/B 80°C/300V | -40°C to +80°C, 5xO.D. | -25°C to +80°C, 10xO.D. | 2 000 000 cycles at 20°C, Temp. range +5°C to +60°C | - |
| H09 | 3 / 4 / 5 | 0.34mm ² | PUR BLACK LS0H | UL 21198/10493 | C22.2 I/II A/B 80°C/300V | -40°C to +80°C, 5xO.D. | -25°C to +80°C, 10xO.D. | 2 000 000 cycles at 20°C, Temp. range +5°C to +60°C | - |
| P02 | 3 / 4 / 5 / 8 | 0.25mm ² | PUR / PVC BLACK | - | - | -30°C to +80°C, 7xO.D. | -5°C to +80°C, 15xO.D. | - | - |
| P03 | 3 / 4 / 5 | 0.34mm ² | PUR / PVC BLACK | - | - | -30°C to +80°C, 7xO.D. | -5°C to +80°C, 15xO.D. | - | - |

CABLE LENGTH TOLERANCES

| OVER | UP TO AND INCLUDING | TOLERANCES |
|---------|---------------------|------------------------|
| 0 | 305mm | +19mm |
| 305mm | 915mm | +45mm |
| 915mm | 1830mm | +56mm |
| 1830mm | 3660mm | +89mm |
| 3660mm | 7320mm | +165mm |
| 7320mm | 14640mm | +317mm |
| 14640mm | 30500mm | +610mm |
| 30500mm | > | +2% of finished length |



SCALE 1:1

THIS DRAWING CONTAINS INFORMATION THAT IS PROPRIETARY TO MOLEX ELECTRONIC TECHNOLOGIES, LLC AND SHOULD NOT BE USED WITHOUT WRITTEN PERMISSION

| | | | | | | |
|--|-------|---|--|---------------------------------|--|--|
| DIMENSION UNITS | SCALE | CURRENT REV DESC: NEW PN ADD TO DRAWING | | molex | | |
| mm | 1:1 | | | | | |
| GENERAL TOLERANCES (UNLESS SPECIFIED) | | EC NO: 726420 | | CSE M12 XP AC FE STR XM SE UNSH | | |
| ANGULAR TOL ± 1.0° | | DRWN: RSILLER 2022/10/28 | | PRODUCT CUSTOMER DRAWING | | |
| 4 PLACES ± | | CHK'D: THAERDT 2022/10/28 | | DOCUMENT NUMBER | | |
| 3 PLACES ± | | APPR: THAERDT 2022/10/28 | | 1200651978 | | |
| 2 PLACES ± 0.05 | | INITIAL REVISION: | | DOC TYPE DOC PART REVISION | | |
| 1 PLACE ± 0.3 | | DRWN: JMARSZALEK 2016/01/11 | | PSD 000 A11 | | |
| 0 PLACES ± 0.5 | | APPR: RSILLER 2016/04/08 | | MATERIAL NUMBER | | |
| DRAFT WHERE APPLICABLE MUST REMAIN WITHIN DIMENSIONS | | THIRD ANGLE PROJECTION | | CUSTOMER | | |
| | | DRAWING | | GENERAL MARKET | | |
| | | SERIES | | SHEET NUMBER | | |
| | | A3-SIZE 120065 | | 2 OF 4 | | |

PART LIST

| No. | Part No. | Engineering No. | Cable Length |
|-----|------------|-----------------|--------------|
| 142 | 1200658492 | 804000P03M100G | 10m |
| 143 | 1200658502 | 805000E03M005 | 0.5m |
| 144 | 1200658503 | 805000E03M0201 | 2m |
| 145 | 1200658511 | 808000E02M010 | 1m |
| 146 | 1200658525 | 808000P02C350 | 0.35m |
| 147 | 1200658545 | 804000P03M015 | 1.5m |
| 148 | 1200658550 | 804000H09M015 | 1.5m |
| 149 | 1200658551 | 808000E02M1001 | 10m |
| 150 | 1200658562 | 803000E03M010 | 1m |
| 151 | 1200658563 | 803000E03M040 | 4m |
| 152 | 1200658570 | 804000E03M040 | 4m |
| 153 | 1200658590 | 808000E02M030 | 3m |
| 154 | 1200658591 | 808000E02M040 | 4m |
| 155 | 1200658592 | 805000E03M040 | 4m |
| 156 | 1200658609 | 804000P02M020 | 2m |
| 157 | 1200658610 | 803000P03M040 | 4m |
| 161 | 1200658632 | 805000H09M010 | 1m |
| 162 | 1200658633 | 805000H09M015 | 1.5m |
| 163 | 1200658634 | 805000H09M030 | 3m |
| 164 | 1200658635 | 805000H09M040 | 4m |
| 165 | 1200658636 | 803000H09M010 | 1m |
| 166 | 1200658637 | 803000H09M015 | 1.5m |
| 167 | 1200658638 | 803000H09M030 | 3m |
| 168 | 1200658639 | 803000H09M040 | 4m |
| 169 | 1200658640 | 804000H09M010 | 1m |
| 170 | 1200658641 | 804000H09M040 | 4m |
| 171 | 1200658642 | 808000H08M010 | 1m |
| 172 | 1200658643 | 808000H08M015 | 1.5m |
| 173 | 1200658644 | 808000H08M020 | 2m |
| 174 | 1200658645 | 808000H08M030 | 3m |
| 175 | 1200658646 | 808000H08M040 | 4m |



| No. | Part No. | Engineering No. | Cable Length |
|-----|------------|-----------------|--------------|
| 176 | 1200658780 | 805000H09M200 | 20m |
| 177 | 1200658782 | 804000E03M060 | 6m |
| 178 | 1200658812 | 808000E02M150 | 15m |
| 179 | 1200658813 | 808000H08M025 | 2.5m |
| 181 | 1200658880 | 804000H09M200 | 20m |
| 182 | 1200658882 | 804000E03M100H | 10m |
| 183 | 1200658887 | 803000E03M020H | 2m |
| 184 | 1200658889 | 803000E03M050H | 5m |
| 185 | 1200658891 | 804000H09M003 | 0.3m |
| 186 | 1200658894 | 804000E03M020G | 2m |
| 187 | 1200658896 | 804000E03M075 | 7.5m |
| 188 | 1200658899 | 808000H08M250 | 25m |
| 192 | 1200658927 | 804000P02M050 | 5m |
| 194 | 1200658930 | 808000H08M150 | 15m |
| 196 | 1200658983 | 804000E03M002 | 0.2m |
| 197 | 1200658984 | 808000E02M2501 | 25m |
| 199 | 1200658991 | 805000P03M100H | 10m |
| 200 | 1200659038 | 804000E02M100 | 10m |
| 201 | 1200659040 | 804000E02M050 | 5m |
| 202 | 1200659052 | 808000E02M2001 | 20m |
| 203 | 1200659053 | 808000E02M3001 | 30m |
| 209 | 1200659088 | 804000P03M050HY | 5m |
| 210 | 1200659092 | 808000P02M050Y | 5m |

| No. | Part No. | Engineering No. | Cable Length |
|-----|------------|-----------------|--------------|
| 217 | 1200659123 | 804000P03M100HY | 10m |
| 218 | 1200659144 | 805000H09M300 | 30m |
| 219 | 1200659187 | 808000E02M4001 | 40m |
| 221 | 1200659200 | 808000E02M250H | 25m |
| 222 | 1200659207 | 805000E03C230 | 0.23m |
| 223 | 1200659214 | 805000P03M300 | 30m |
| 224 | 1200659256 | 808000E02M200 | 20m |
| 225 | 1200659279 | 805000E03M007 | 0.7m |
| 226 | 1200659280 | 805000E03M350 | 35m |
| 227 | 1200659282 | 805000P03M005 | 0.5m |
| 228 | 1200659283 | 805000P03M007 | 0.7m |
| 229 | 1200659302 | 804000P03M1005 | 10m |
| 230 | 1200659326 | 805000P03M020H | 2m |
| 231 | 1200659329 | 805000P03M150H | 15m |
| 232 | 1200659330 | 805000P03M200H | 20m |
| 233 | 1200659334 | 808000P02M200H | 20m |
| 234 | 1200659340 | 804000P03M1501 | 15m |
| 235 | 1200659341 | 804000P03M2501 | 25m |
| 236 | 1200659368 | 805000E03M015 | 1.5m |
| 237 | 1200659370 | 804000P03M020Y | 2m |
| 238 | 1200659387 | 808000E02M500 | 50m |
| 239 | 1200659388 | 804000P03M012 | 1.2m |
| 241 | 1200659397 | 808000P02M100Y | 10m |
| 242 | 1200659399 | 808000P02M015 | 1.5m |
| 243 | 1200659474 | 804000P03M250 | 25m |
| 244 | 1200659475 | 804000P03M300 | 30m |
| 245 | 1200659509 | 805000E03M600 | 60m |

| No. | Part No. | Engineering No. | Cable Length |
|-----|------------|-----------------|--------------|
| 246 | 1200659552 | 808000P02M050H | 5m |
| 247 | 1200659553 | 808000P02M100H | 10m |
| 248 | 1200659554 | 808000P02M150H | 15m |
| 249 | 1200659584 | 803000H09M003 | 0.3m |
| 250 | 1200659594 | 805000P03M300H | 30m |
| 251 | 1200659595 | 805000P03M350H | 35m |
| 252 | 1200659613 | 808000E02M300 | 30m |
| 253 | 1200659786 | 804000E02M041 | 4.1m |
| 254 | 1200659790 | 804000E02M020 | 2m |
| 255 | 1200659538 | 808000E02M100 | 10m |
| 256 | 1200656061 | 803000E02M010 | 1m |
| 257 | 1200656303 | 805000E03M050Y | 5m |
| 258 | 1200656436 | 804000P03M0601 | 6m |
| 259 | 1200656766 | 808000P02M350 | 35m |
| 260 | 1200656767 | 808000P02M400 | 40m |
| 261 | 1200657197 | 803000E03M005 | 0.5m |
| 262 | 1200657198 | 803000E03M015 | 1.5m |
| 263 | 1200657129 | 804000P03M400 | 40m |
| 264 | 1200657130 | 804000P03M500 | 50m |
| 265 | 1200657131 | 804000E03M006 | 0.6m |
| 266 | 1200657132 | 804000E03M008 | 0.8m |
| 267 | 1200657133 | 804000E03M015 | 1.5m |
| 268 | 1200657134 | 804000E03M024 | 2.4m |
| 269 | 1200657135 | 804000E03M070 | 7m |
| 270 | 1200657136 | 804000E03M080 | 8m |
| 271 | 1200657137 | 804000E03M090 | 9m |
| 272 | 1200657138 | 804000E03M180 | 18m |
| 273 | 1200657139 | 804000E03M350 | 35m |
| 274 | 1200657140 | 804000E03M400 | 40m |
| 275 | 1200657141 | 804000E03M450 | 45m |
| 276 | 1200657142 | 804000E03M500 | 50m |
| 277 | 1200657143 | 804000E03M550 | 55m |
| 278 | 1200657180 | 805000E03M070 | 7m |
| 279 | 1200657264 | 805000H09M500 | 50m |
| 280 | 1200657306 | 805000H09M100H | 10m |

NOTES:

- * - Part No. with Yellow PVC overmolding
- ** - Part No. with Black PVC overmolding

| | | | |
|---|---|--|--------------------------|
| THIS DRAWING CONTAINS INFORMATION THAT IS PROPRIETARY TO MOLEX ELECTRONIC TECHNOLOGIES, LLC AND SHOULD NOT BE USED WITHOUT WRITTEN PERMISSION | | | |
| DIMENSION UNITS | SCALE | CURRENT REV DESC: NEW PN ADD TO DRAWING | |
| mm | 1:1 |  CSE M12 XP AC FE STR XM SE UNSH PRODUCT CUSTOMER DRAWING | |
| GENERAL TOLERANCES (UNLESS SPECIFIED) | | | |
| ANGULAR TOL | ± 1.0 ° | | |
| 4 PLACES | ± | | |
| 3 PLACES | ± | | |
| 2 PLACES | ± 0.05 | EC NO: 726420 DRWN: RSILLER 2022/10/28 CHK'D: THAERDT APPR: THAERDT 2022/10/28 | |
| 1 PLACE | ± 0.3 | INITIAL REVISION: DRWN: JMARSZALEK 2016/01/11 APPR: RSILLER 2016/04/08 | |
| 0 PLACES | ± 0.5 | DOCUMENT NUMBER: 1200651978 DOC TYPE: PSD DOC PART: 000 REVISION: A11 | |
| DRAFT WHERE APPLICABLE MUST REMAIN WITHIN DIMENSIONS | THIRD ANGLE PROJECTION | DRAWING | SHEET NUMBER |
| |  | A3-SIZE | 4 OF 4 |
| | | SERIES: 120065 | CUSTOMER: GENERAL MARKET |

| DOCUMENT STATUS | P1 | RELEASE DATE | 2022/10/28 12:26:20 |
|-----------------|----|--------------|---------------------|
|-----------------|----|--------------|---------------------|