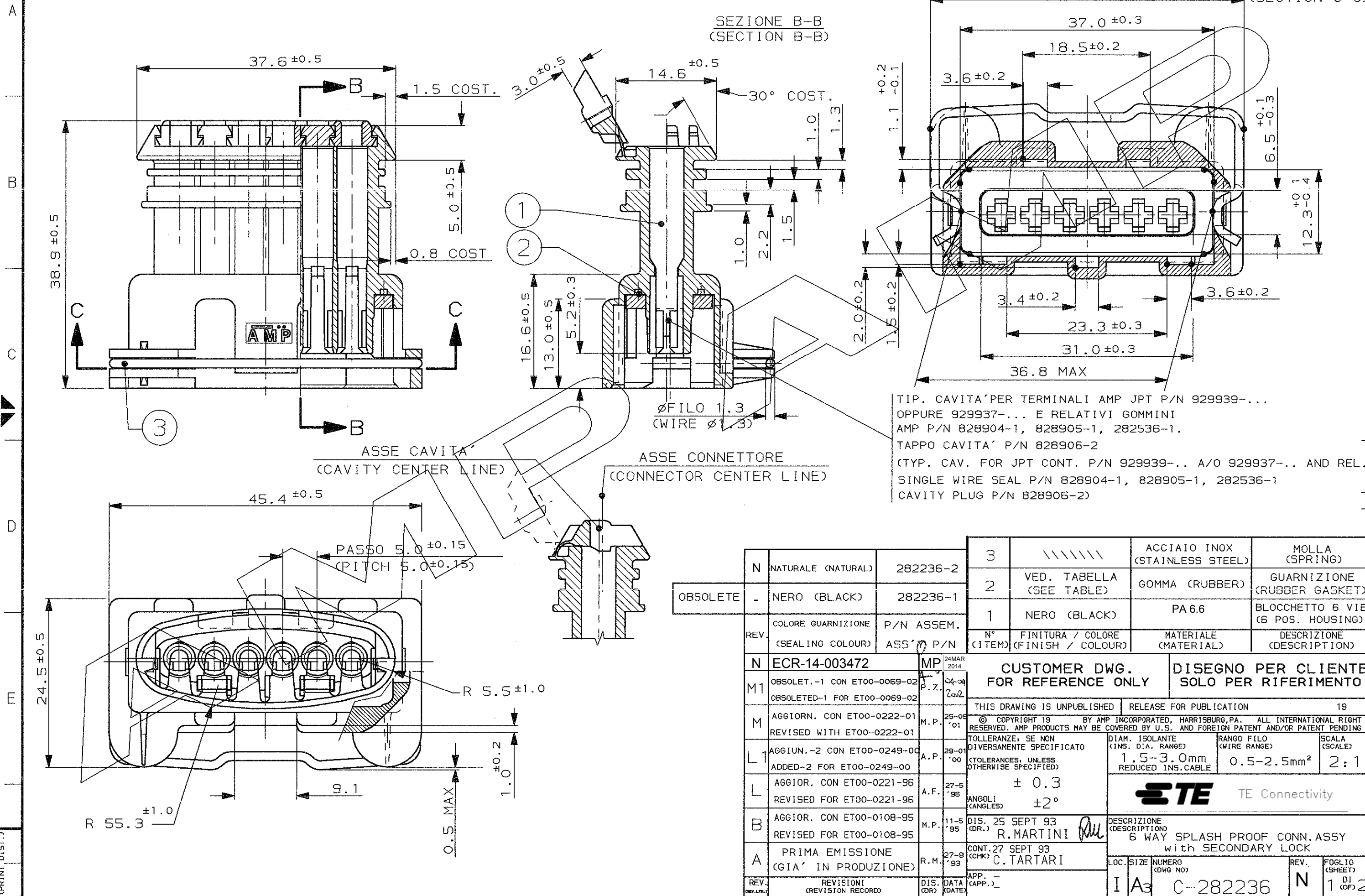


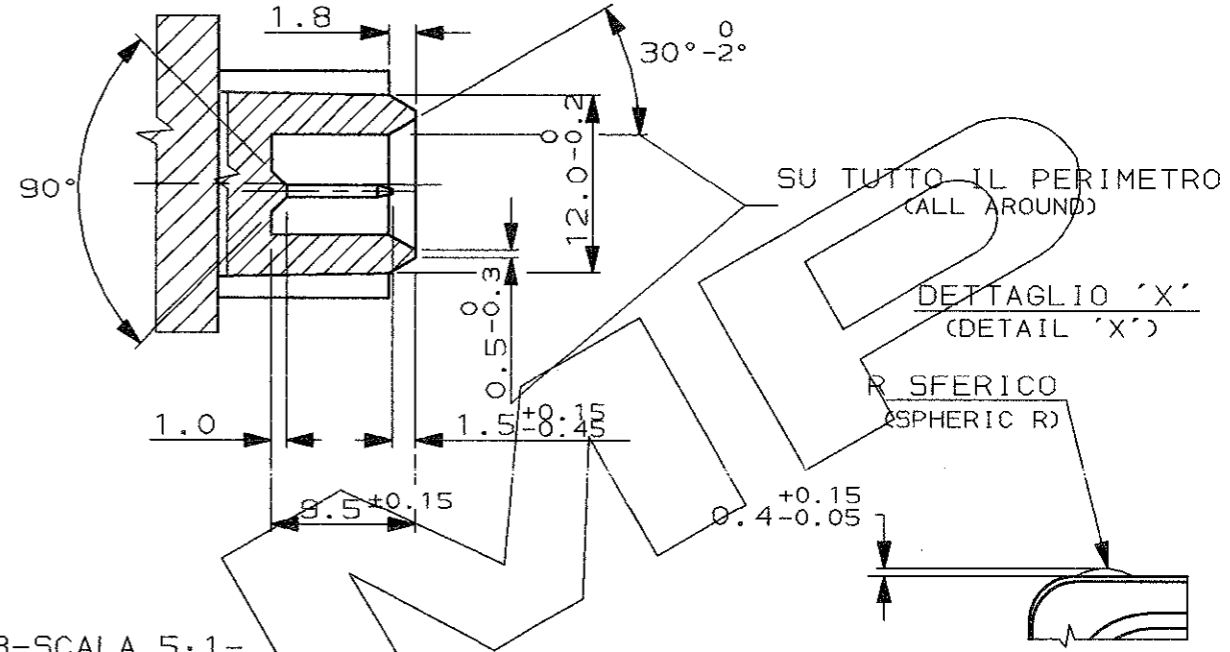
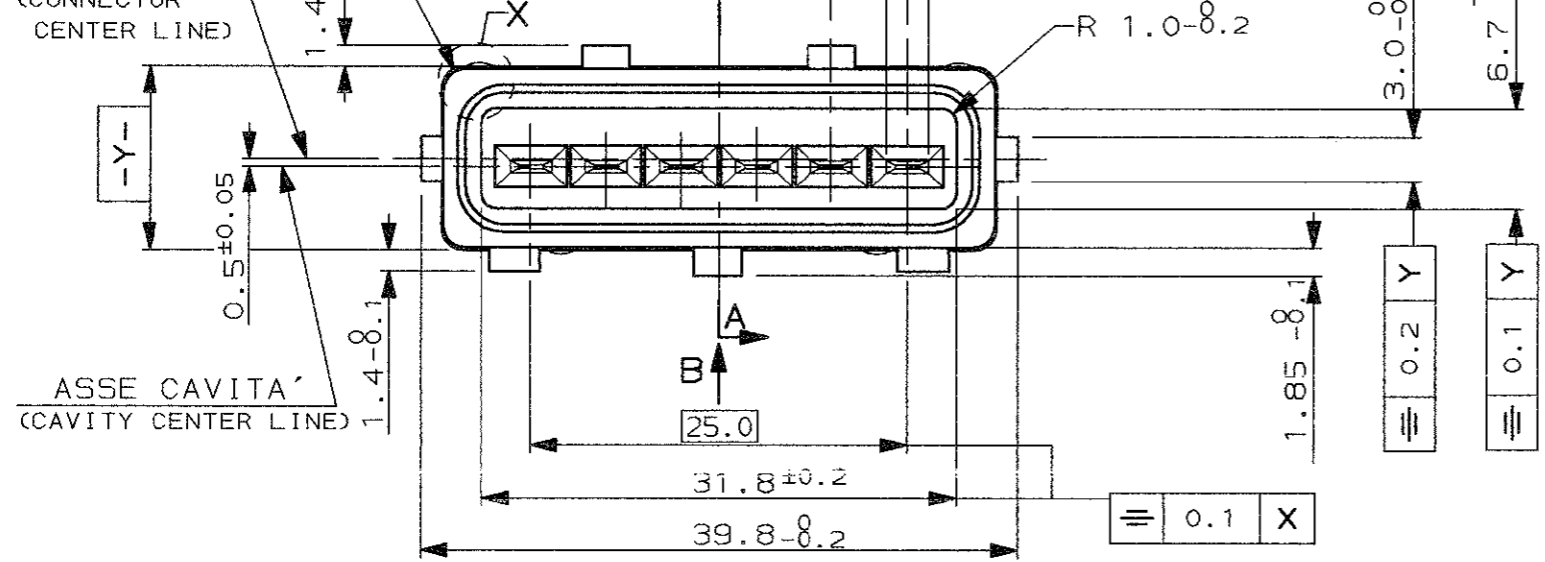
CONNETTORE TIPO A (CON MOLLA DI RITEGNO ESTERNA)  
CONNECTOR TYPE A (WITH EXTERNAL SPRING)



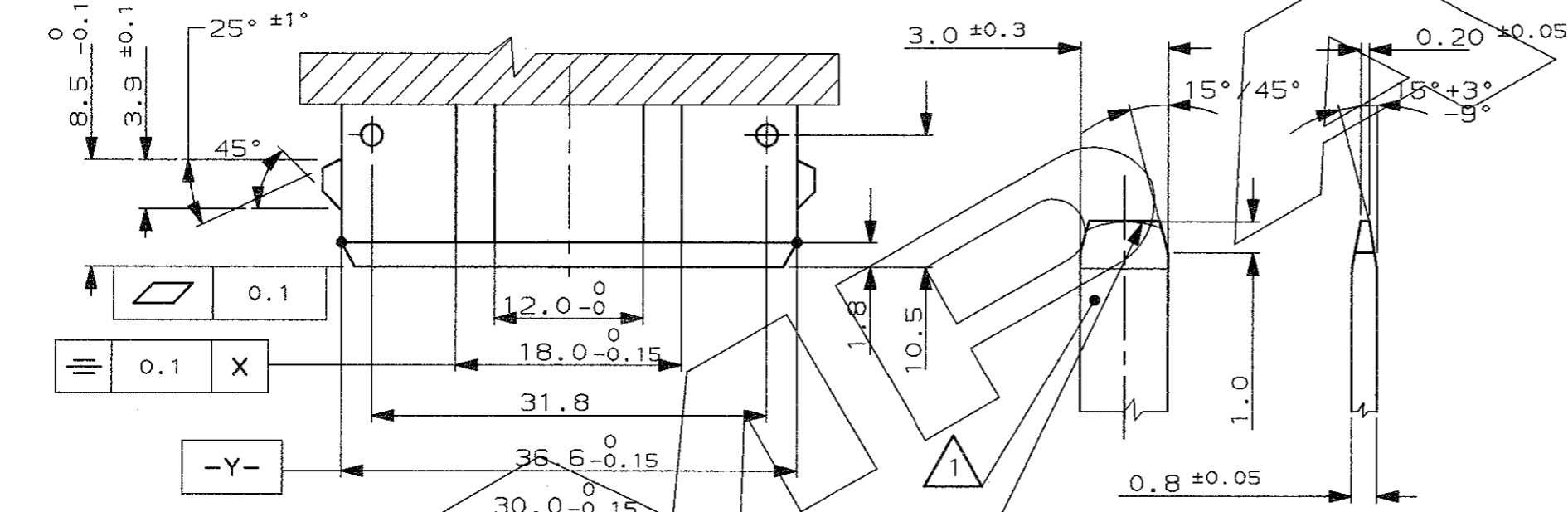
TIP. CAVITA' PER TERMINALI AMP JPT P/N 929939-...  
OPPURE 929937-... E RELATIVI GOMMINI  
AMP P/N 828904-1, 828905-1, 282536-1.  
TAPPO CAVITA' P/N 828906-2  
(TYP. CAV. FOR JPT CONT. P/N 929939-... A/O 929937-... AND REL.  
SINGLE WIRE SEAL P/N 828904-1, 828905-1, 282536-1  
CAVITY PLUG P/N 828906-2)

N	NATURALE (NATURAL)	282236-2	3	//////	ACCIAIO INOX (STAINLESS STEEL)	MOLLA (SPRING)
OBSOLETE	- NERO (BLACK)	282236-1	2	VED. TABELLA (SEE TABLE)	GOMMA (RUBBER)	GUARNIZIONE (RUBBER GASKET)
REV.	COLORE GUARNIZIONE (SEALING COLOUR)	P/N ASSEM. ASS. P/N	1	NERO (BLACK)	PA 6.6	BLOCCHETTO 6 VIE (6 POS. HOUSING)
N	ECR-14-003472	MP	N° (ITEM)	FINITURA / COLORE (FINISH / COLOUR)	MATERIALE (MATERIAL)	DESCRIZIONE (DESCRIPTION)
M1	OBSOLET.-1 CON ET00-0069-02 OBSOLETE-1 FOR ET00-0069-02	P.Z.	CUSTOMER DWG. FOR REFERENCE ONLY		DISEGNO PER CLIENTE SOLO PER RIFERIMENTO	
M	AGGIORN. CON ET00-0222-01 REVISED WITH ET00-0222-01	M.P.	THIS DRAWING IS UNPUBLISHED		RELEASE FOR PUBLICATION 19	
L1	AGGIUN.-2 CON ET00-0249-00 ADDED-2 FOR ET00-0249-00	A.P.	© COPYRIGHT 19 BY AMP INCORPORATED, HARRISBURG, PA. ALL INTERNATIONAL RIGHT RESERVED. AMP PRODUCTS MAY BE COVERED BY U.S. AND FOREIGN PATENT AND/OR PATENT PENDING			
L	AGGIORN. CON ET00-0221-96 REVISED FOR ET00-0221-96	A.F.	TOLLERANZE, SE NON DIVERSAMENTE SPECIFICATO (TOLERANCES, UNLESS OTHERWISE SPECIFIED)		DIAM. ISOLANTE (INS. DIA. RANGE)	RANGO FILO (WIRE RANGE)
B	AGGIORN. CON ET00-0108-95 REVISED FOR ET00-0108-95	M.P.	± 0.3		1.5-3.0mm	0.5-2.5mm <sup>2</sup>
A	PRIMA EMISSIONE (GIÀ IN PRODUZIONE)	R.M.	ANGOLI (ANGLES)		SCALA (SCALE)	
REV.	REVISIONI (REVISION RECORD)	DIS. DATA (DR. DATE)	± 2°		2:1	
			DIS. 25 SEPT 93 (DR.)		DESCRIZIONE (DESCRIPTION)	
			CONT. 27 SEPT 93 (CHK) R. MARTINI		6 WAY SPLASH PROOF CONN. ASSY with SECONDARY LOCK	
			APP. (APP.)		LOC. SIZE NUMERO (DWG NO.)	REV. FOGLIO (SHEET)
			I A3		C-282236	N 1 DI (OF) 2

DISTRIBUZIONE (PRINT DIST.)

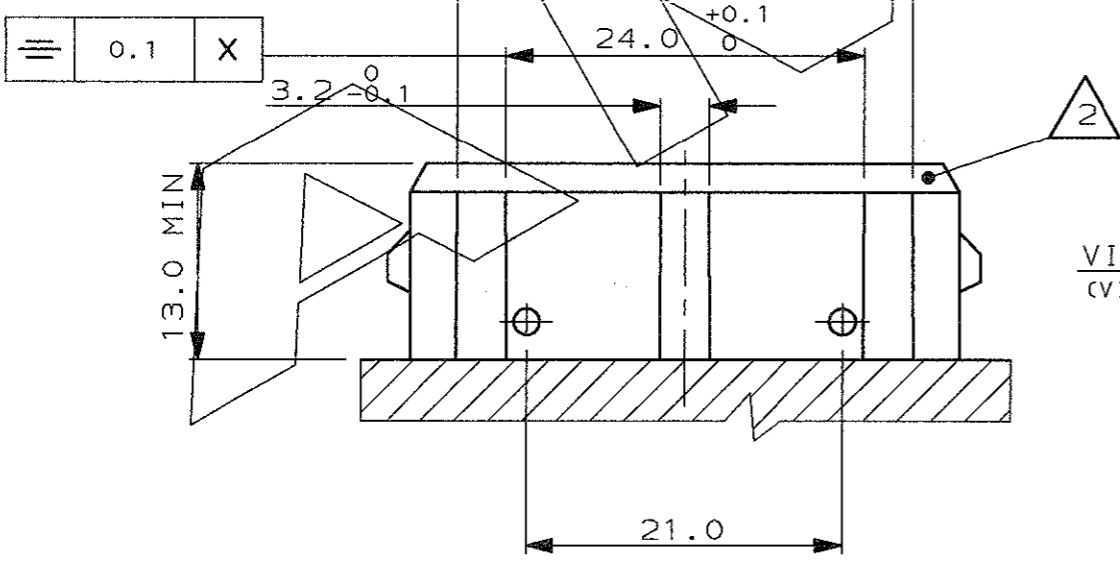


DETT. LINGUETTA TAB-SCALA 5:1- (TAB DETAIL)



- 1 MATERIALE LINGUETTA: LEGA DI RAME STAGNATA, ES. OTTONE STAGNATO. (TAB CONTACT MATERIAL: TIN PLATED COPPER ALLOY. E.G. BRASS TIN PLATED)
- 2 MATERIALE BLOCCHETTO: TERMOPLASTICO CARICATO FIBRA VETRO. (HOUSING MATERIAL: THERMOPLASTIC, GLASS FIBER FILLED)

FORMA ALTERNATIVA PERMESSA CON RAGGIO (ALLOWED ALTERNATIVE PROFILE WITH RADIUS)



REV.	REVISIONI (REVISION RECORD)	DIS. (DR)	DATA (DATE)

FINITURA / COLORE (FINISH / COLOUR)	MATERIALE (MATERIAL)	NUMERO (PART NUMBER)
CUSTOMER DWG. FOR REFERENCE ONLY	DISEGNO PER CLIENTE SOLO PER RIFERIMENTO	19
THIS DRAWING IS UNPUBLISHED - RELEASE FOR PUBLICATION		19
© COPYRIGHT 19 BY AMP INCORPORATED, HARRISBURG, PA. ALL INTERNATIONAL RIGHT RESERVED. AMP PRODUCTS MAY BE COVERED BY U.S. AND FOREIGN PATENT AND/OR PATENT PENDING		
TOLLERANZE, SE NON DIVERSAMENTE SPECIFICATO (TOLERANCES, UNLESS OTHERWISE SPECIFIED)	DIAM. ISOLANTE (INS. DIA. RANGE)	RANGO FILO (WIRE RANGE)
± 0.3	---	---
ANGOLI (ANGLES)	SCALA (SCALE)	
± 2°	---	
DIS. (DR.)	DESCRIZIONE (DESCRIPTION)	
CONT. (CHK)	6 POS. SPLASH PROOF CONN. ASS'Y with SECONDARY LOCK	
APP. (CAP)	LOC. SIZE	NUMERO (DWG NO)
	I A3	C-282236
	REV.	FOGLIO (SHEET)
	N	2 OF 2

DISTRIBUZIONE (PRINT DIST.)