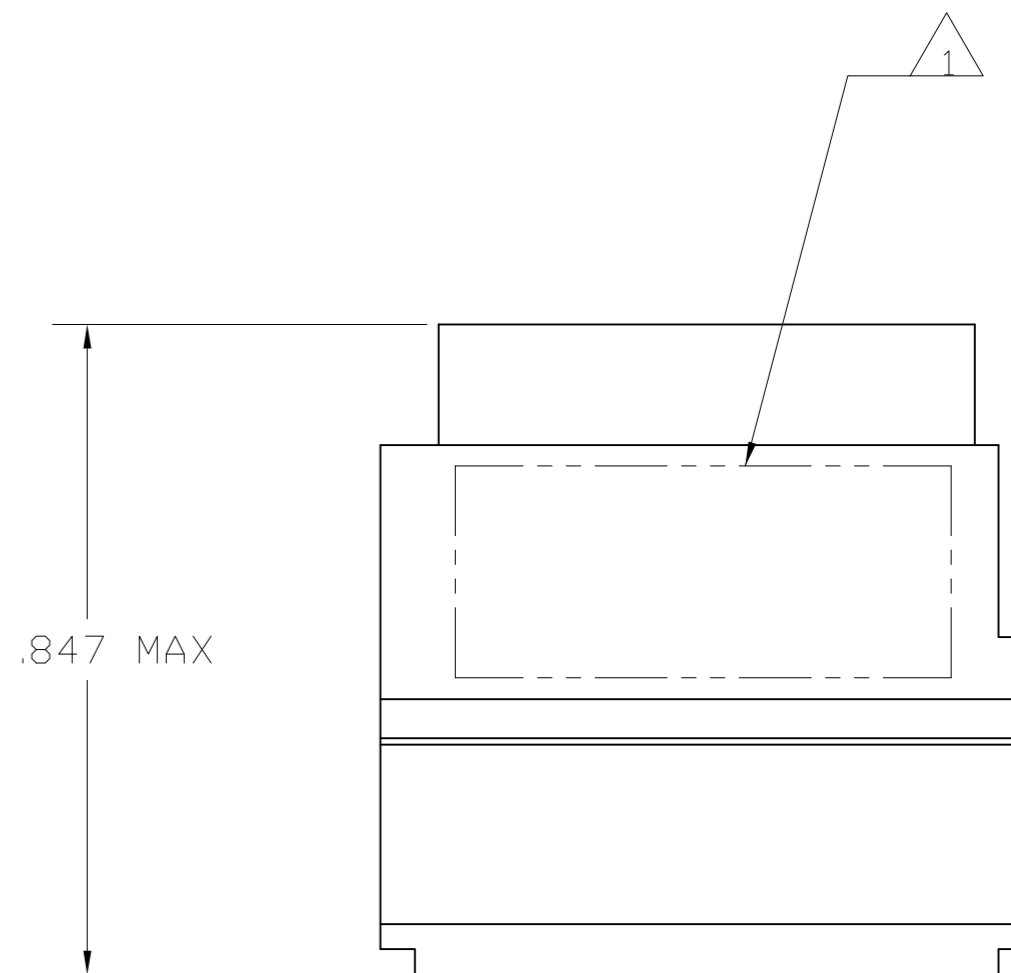
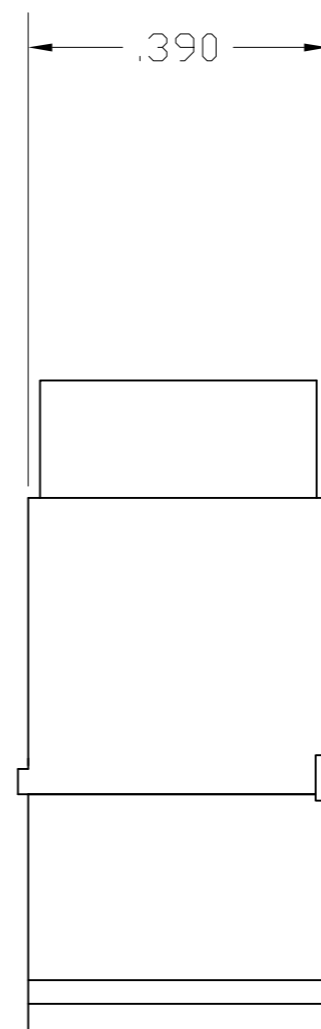
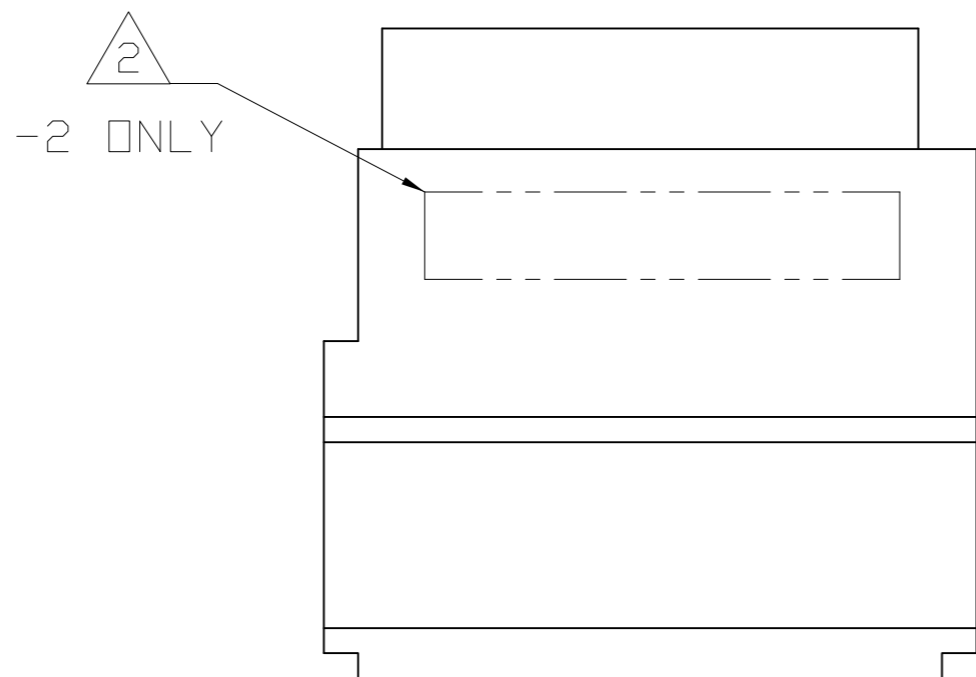
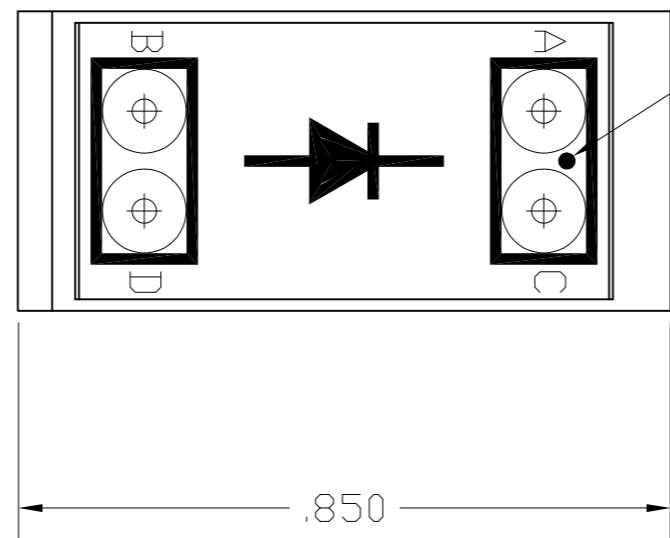


THIS DRAWING IS UNPUBLISHED. RELEASED FOR PUBLICATION
 © COPYRIGHT BY TYCO ELECTRONICS CORPORATION. ALL RIGHTS RESERVED.

LDC		DIST		REVISIONS			
P	LTR	DESCRIPTION	DATE	DWN	APVD		
	C	REV PER ECD 08-008633	4-29-08	CT	DE		

DESCRIPTION	MATERIAL	FINISH
MODULE ASSEMBLY	D.A.P. PER MIL-M14	COLOR: GREEN
GROMMET	FLOURSILICONE 40/50 PER MIL-R-25988	COLOR: GREEN
CONTACT SOCKET	BERYLLIUM COPPER ASTM-B194	GOLD PLATE PER MIL-G-45204
RETAINING CLIP	BERYLLIUM COPPER ASTM-B194 OR STAINLESS STEEL PER QQ-S-766	NONE
DIODE	JANTX1N5552 ³	NONE
SEALING PLUGS QTY 2	F.E.P. PER MIL-P-19468	COLOR: RED
PIN CONTACT QTY = 4 P/N M39029/1-101	COPPER ALLOY PER MIL-C-39029	GOLD PLATE PER MIL-G-45204



- ¹ MARK MODULE ASSEMBLY WITH "AMP", AMP PART NO. AND DATE CODE
- ² MARK MODULE ASSEMBLY WITH CUSTOMER PART NO.
- ³ DIODE MAY BE A COMMERCIAL DIODE THAT HAS BEEN SCREENED TO MEET THE REQUIREMENTS OF JANTX1N5552.

JANTX1N5552	525-11207-4	591896-2
JANTX1N5552	-----	591896-1
TYPE	CUSTOMER PART NUMBER	AMP PART NUMBER

THIS DRAWING IS A CONTROLLED DOCUMENT.		DWN N. FRITZ 30AUG00	Tyco Electronics Corporation Harrisburg, PA 17105-3608	
DIMENSIONS INCHES	TOLERANCES UNLESS OTHERWISE SPECIFIED:	CHK R. RYAN 1-31-94	NAME R. RYAN	
	0 PLC ± -	APVD R. RYAN 1-31-94	PRODUCT SPEC	
	1 PLC ± -	APPLICATION SPEC	-	
	2 PLC ± -	WEIGHT	-	
	3 PLC ± .005	CUSTOMER DRAWING	-	
MATERIAL SEE TABLE	FINISH SEE TABLE	SCALE 4: 1	SHEET 1 OF 1	REV C