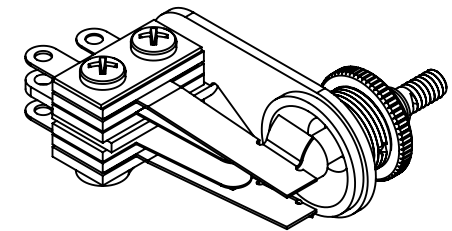
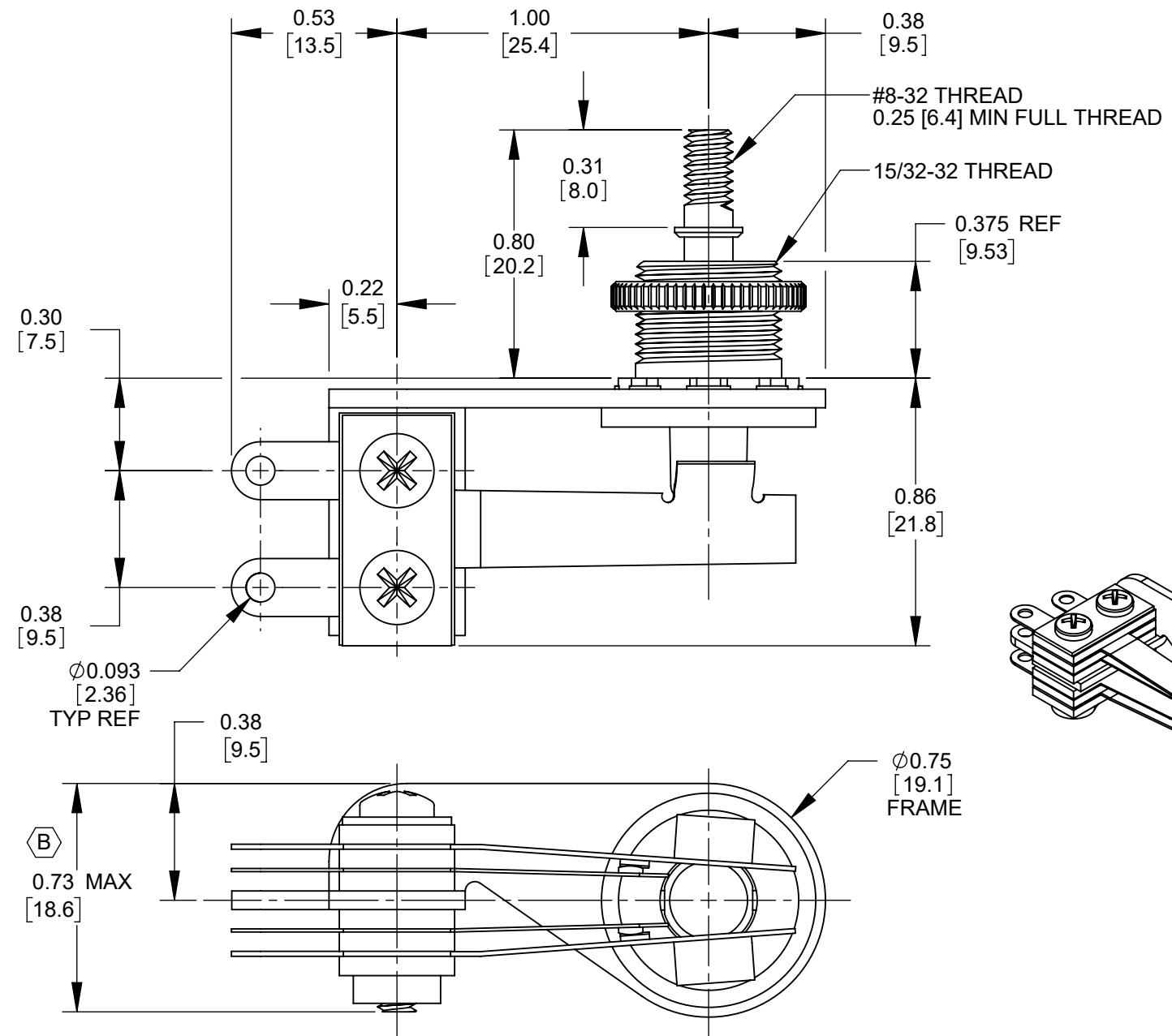
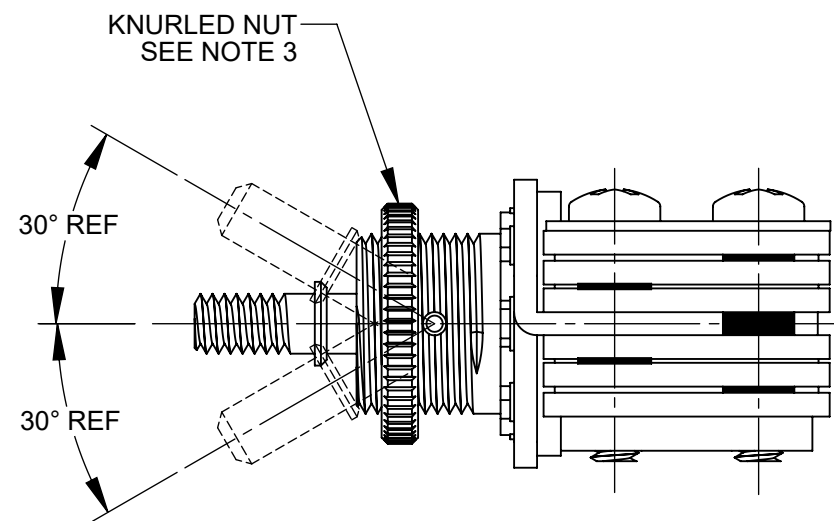




SCHEMATIC



NOTES:

1. MATERIALS:
 FRAME - STEEL, NICKEL PLATED
 SPRINGS - SPRING TEMPERED, NICKEL SILVER
 BUSHING & SHAFT - BRASS, BARE
 INSULATION - PHENOLIC
 CONTACTS - FINE SILVER
 SCREWS - STEEL, NICKEL PLATED
 SHAFT INSULATOR - NYLON
 TUBING - THERMOPLASTIC
 HARDWARE:
 KNURLED NUT - BRASS, BARE
2. ELECTRICAL CHARACTERISTICS:
 - CONTACT RESISTANCE: 20 MILLIOHMS MAX
 - CONTACT RATING: 3A, 300W MAX AC NON-INDUCTIVE LOAD
 - LEAKAGE RESISTANCE: 1000 MEGAOHMS OR GREATER
 - DIELECTRIC STRENGTH: 250 VDC
3. HARDWARE SHIPPED UNASSEMBLED.
4. THIS PRODUCT IS RoHS COMPLIANT.

CUSTOMER DRAWING

					THIS DRAWING DESCRIBES A DESIGN CONSIDERED PROPRIETARY IN NATURE, DEVELOPED AND MANUFACTURED BY SWITCHCRAFT INC. AND IS RELEASED ON A CONFIDENTIAL BASIS FOR IDENTIFICATION PURPOSES ONLY.							
					SIZE	WIDTH	MULT	LBS/M	TEMPER			
					UNLESS OTHERWISE SPECIFIED				FINISH	MATERIAL		
					1. ALL DIMENSIONS IN INCHES [mm]				SPEC No.	SPEC No.		
					- TWO PLACE DECIMALS ±0.02 [0.5]				FIRST USED ON		SCALE	
					- THREE PLACE DECIMALS ±0.005 [0.13]				DATE DRAWN		2:1	
B	28409	07/09/21	PC	TJK	2/16/10	RS	RS	2/16/10	04/28/20	Switchcraft [®]		
A	25449	02/23/07	PC	TJK	SHEET 1 OF 1							
REV	ECO NUMBER	DATE	BY	APVD	NAME					PART No.	REV	
REVISIONS					DO NOT SCALE DRAWING					12000 SERIES RIGHT-ANGLE LEVER SWITCH 3 POSITION LOCKING, RoHS	12016X	B