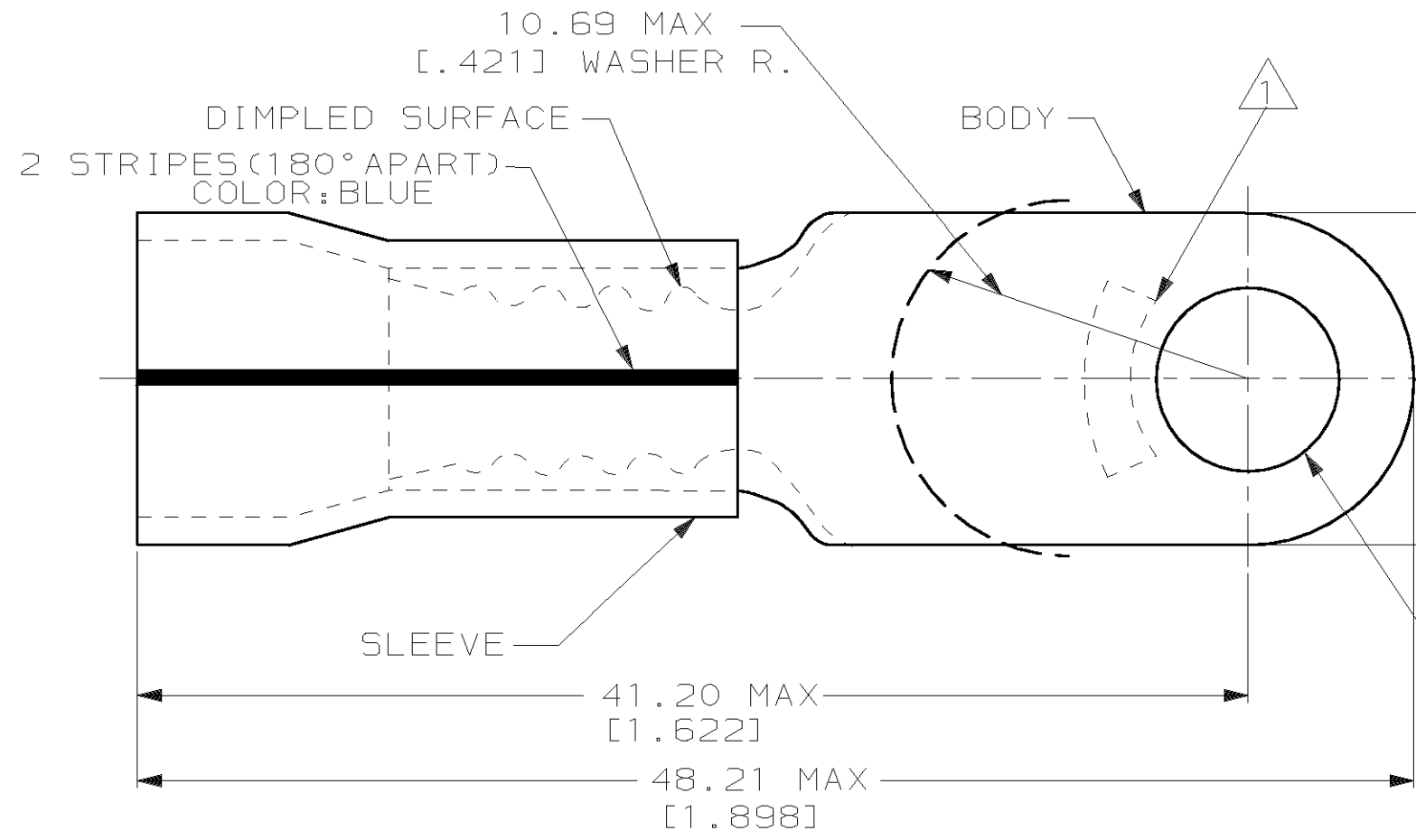


THIS DRAWING IS UNPUBLISHED. RELEASED FOR PUBLICATION, 19 .
 © COPYRIGHT 19 BY AMP INCORPORATED. ALL INTERNATIONAL RIGHTS RESERVED.

LOC G	DIST 14	P	F	REVISIONS			DATE	APPD
				ZONE	LTR	DESCRIPTION		
					F	REV PER 0G3A-0363-01	10JUL01	JR/TM



AMP
WIRE RANGE

6 AWG
STRANDED

METRIC

DIMENSIONS LISTED IN mm [INCHES]

- NOTE:
- 1 STAMP AMP 6* LOCATE APPROX AS SHOWN
 2. TONGUE MATERIAL THK 1.14±0.08 [.045±.003]
 3. WIRE INSULATION DIA 11.07 [.436] MAX

100	LOOSE PC	53946-1
QTY	PACKAGE TYPE	PART NO

AMP INCORPORATED CUSTOMER SERVICE SYSTEMS	
FOR ADDITIONAL PRODUCT INFORMATION OR COPIES OF DRAWINGS AND TECHNICAL DOCUMENTS	PRODUCT INFORMATION CENTER 1-800-522-6752
FOR APPLICATION TOOLING INFORMATION	TOOLING ASSISTANCE CENTER 1-800-722-1111
FOR ORDER ENTRY	1-800-526-5142

MAX RECOMMENDED OPERATING TEMPERATURE:
150°c

VOLTAGE RATING:
600 V MAX

CIRCULAR MIL AREA:
10.54-16.77mm² [20,800-33,100]
STRANDED

DO NOT SCALE PRINT.
UNLESS SPECIFIED
~~DIMENSIONS IN mm [INCHES]~~
TOLERANCES ON:
2 PLC DEC ± 0.20 [.008]
3 PLC DEC ± -
ANGLES ± -

MATERIAL
COPPER PER ASTM B-152
PVF², COLOR:NATURAL

FINISH
TIN/LEAD (93-7) PLATE
PER ASTM B545

DR	10-6-93 S.S. GOULDEN
CHK	10-6-93 R. HERSEY
APPD	10-6-93 B. BARE
APPD	10-6-93 M. ELLIS
PRODUCT SPEC	NOT AVAILABLE
APPLICATION SPEC	NOT AVAILABLE
WEIGHT	-

AMP AMP Incorporated Harrisburg, PA 17105-3608		
NAME TERMINAL, RING TONGUE, PVF ² , PLASTI-GRIP, WIRE SIZE:6 AWG		
SIZE	CAGE CODE	DRAWING NO
B	00779	C-53946
SCALE	NTS	SHEET
		1 OF 1