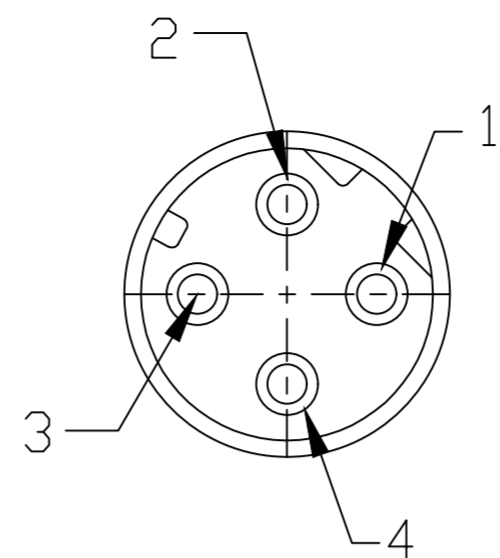


MOLEX PN	ENGINEERING PN	L(mm) + TOL
1300488040	130048-8040	4318 +165
1300488058	130048-8058	1943 +89
1300488061	130048-8061	2770 +89
1300488063	130048-8063	5288 +165
1300488066	130048-8066	9131 +182
1300488067	130048-8067	10396 +207
1300488068	130048-8068	19595 +391
1300488217	130048-8217	2100 +89

(C)



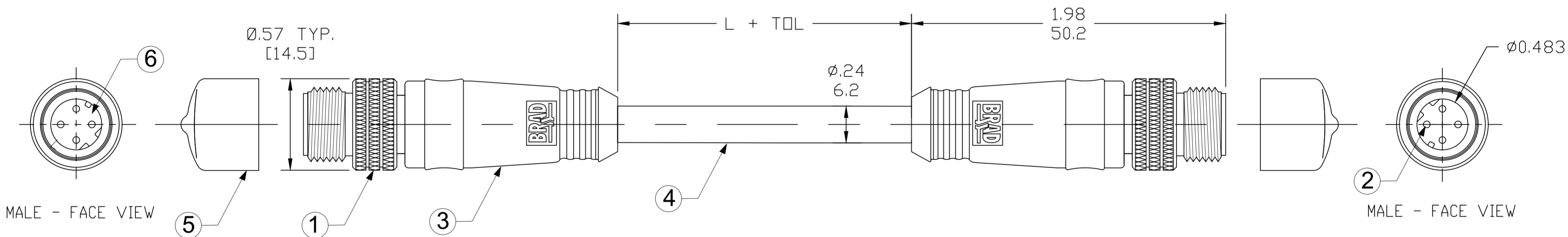
MALE - FACE VIEW  
TYPICAL BOTH ENDS

PIN	WIRE COLOR	PIN
1	BLUE	1
2	BLACK	2
3	WHITE	3
4	RED	4
	SHIELD	

COUPLING NUT

COUPLING NUT

WIRE DIAGRAM



NOTES:

1. MATERIAL: SEE TABLE
2. FINISHES: SEE TABLE
3. ELECTRICAL DATA:  
VOLTAGE: 30V  
CURRENT: 1.5A
4. TEMP RATING: -20°C TO 105°C
5. IP67 WHEN FULLY MATED
6. COUPLING THREADS: M12X1
7. ALL DIMS ARE FOR REFERENCE UNLESS TOLERANCED OR OTHERWISE NOTED.

ITEM	DESCRIPTION	MATERIAL	FINISH
6	INSERT	PUR	BLACK
5	DUST COVER	VINYL	BLACK
4	CABLE 28 AWG , 2PR, SHIELDED	BLACK	PVC
3	OVERMOLD	TPU	BLACK
2	CONTACTS	COPPER ALLOY	GOLD PLATED
1	M12 MALE COUPLING NUT	BRASS	NICKEL PLATED

FUNCTIONAL SYMBOLS FA=0 FC=0 FP=0	THIS DRAWING CONTAINS INFORMATION THAT IS PROPRIETARY TO MOLEX ELECTRONIC TECHNOLOGIES, LLC AND SHOULD NOT BE USED WITHOUT WRITTEN PERMISSION		CURRENT REV DESC: ADD NEW LENGTH	
	DIMENSION UNITS	SCALE	EC NO: 701772	
	INCH/MM	NTS	DRWN: MZIELINSKI	2022/03/31
	GENERAL TOLERANCES (UNLESS SPECIFIED)		CHK'D: MZIELINSKI	2022/03/31
DIVISIONAL SYMBOLS	4 PLACES	±----	APPR: BWOODMAN	2022/04/05
	3 PLACES	±----	INITIAL REVISION:	
	2 PLACES	±----	DRWN: CCHRASTKA	2020/10/13
	1 PLACE	±----	APPR: BWOODMAN	2020/10/21
0 PLACES		±----	ANGULAR TOL ± ---- °	
DRAFT WHERE APPLICABLE MUST REMAIN WITHIN DIMENSIONS		THIRD ANGLE PROJECTION	DRAWING	SERIES
			C-SIZE	130048
DOCUMENT STATUS		P1	RELEASE DATE	2022/04/05 03:26:03
DOCUMENT NUMBER		CUSTOMER		DOC TYPE/DOC PART/REVISION
1300488040		GENERAL MARKET		PSD 000 D
SEE TABLE		GENERAL MARKET		SHEET NUMBER
				1 OF 1