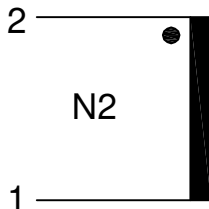


Product Type	Current transformer 75A
AMGIS Part Number	ASM-075
Customer Part Number	
Customer	

**SCHEMATIC:**



**ELECTRICAL SPECIFICATION:**

- Rated input current : 5 - 75 Amps
- Primary to Secondary isolation : 2500VAC
- Operating frequency : 50 / 60Hz
- Operating temperature range : -40°C to +120°C

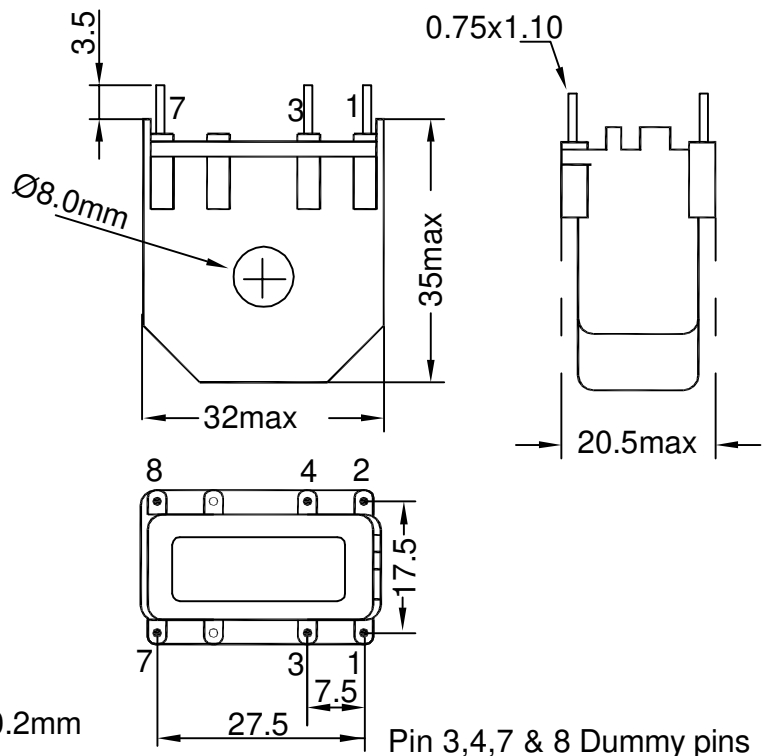
**LOAD TEST DETAILS:**

Ip=75A  
 RL=220Ω  
 Us=119.5mV±10%

**MARKING INFORMATION:**

AMGIS  
 YY/Wk code ASM-075

**MECHANICAL DIMENSIONS:**



All dimensions are in mm  
 Linear dimensional tolerance ±0.2mm

-----Issued-----	1	0	Anidha.K	04-Nov '10
Changes	Issue	Rev	Initial	Date