



**ANATECH ELECTRONICS INC**  
RF & Microwave Filters & Products

# 14.4-14.92 GHz / 15.15-15.35 GHz Duplexer

**Part Number: AE14660-15250DB5310**

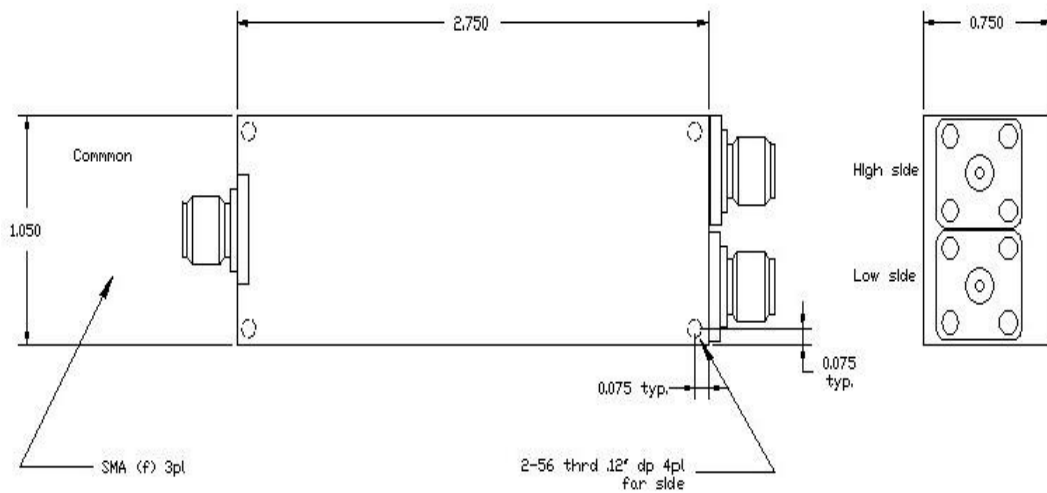


Characteristics	Band 1	Band 2
Passband:	14.4 – 14.92 GHz	15.15 – 15.35 GHz
Bandwidth:	520 MHz	200 MHz
Passband Return Loss:	10dB Min.	10dB Min.
Passband Insertion Loss:	3.5dB Max.	3.5dB Max.
Input / Output Impedance:	50 Ohms	50 Ohms
Rejection:	50dB Min. @15.15-15.35 GHz	60dB Min. @14.4-14.89 GHz

Mechanical	
Mounting Method:	2-56 Threaded Holes
Connector Type:	SMA-(F)
Dimensions:	2.75 x 1.05 x 0.75 inches

Environmental	
Operating Temperature:	-40 to +70 deg.C
Storage Temperature:	-50 to +90 deg.C

## Outline Drawing:



2 decimal places: +/-0.01 inches [ +/- 0.3mm]  
3 decimal places: +/- 0.005 inches [ +/- 0.13mm]  
Angles: +/- 1 Deg.

Reference DCR: D052219-02A

When max dimensions are called out the above tolerances do not apply as long as it is under the max call out.