

- 1
- 2
- 3
- 4
- 5
- 6
- 7
- 8
- 9
- 10
- 11
- 12
- 13
- 14
- 15
- 16
- 17
- 18

BASE

Glass-fibre reinforced polyamide based (PA) technopolymer, black colour, matte finish.

ARTICULATED STEM

Threaded zinc-plated steel with regulation hexagon.

STANDARD EXECUTIONS

- **LV.A**: without no-slip disk.
- **LV.A-AS**: with NBR rubber no-slip disk, hardness 70 Shore A, supplied assembled to the base.

FEATURES

The special knurling under the lower lip of the base provides excellent stability and grip when using the levelling element without no-slip disk even on surfaces that are not perfectly flat.

The particular assembling system of the no-slip disk to the base assures a perfect anchoring, preventing separation even in case of impact during transport or of adhesion (sticking) to the floor (see No-slip disks on page 1283).

ORDER INFORMATION

The levelling elements are supplied unassembled to make carriage and storage easier. The components (base and stem) are supplied in separate packing: less volume taken and better protection from scratches and dirt.

To order bases and stems separately, see:

- table of possible combinations Bases/Stems (see page 1292)
- the codes of the Bases (see page 1288)
- the codes of the Stems (see page 1290).

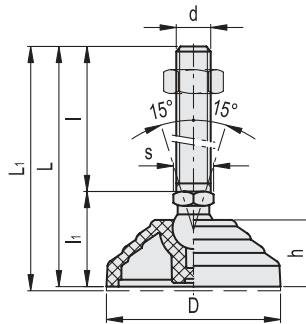
ACCESSORIES ON REQUEST

Zinc-plated steel nut (see Nuts NT. on page 1283).



ELESA Original design

Conversion Table	
1 mm = 0.039 inch	
D	
mm	inch
60	2.36
70	2.76
80	3.15
100	3.94
125	4.92



LV.A		LV.A-AS		METRIC													
Code	Description	Code	Description	D	d	L	L1#	l	l1	h	s	Articulation ∅	Max. limit stati load* [N]	⚖️	⚖️#		
303121	LV.A-60-14-M8x43	307121	LV.A-60-14-AS-M8x43	60	M8	76	79	43	33	24	14	14	14000	62	81		
303125	LV.A-60-14-M8x68	307125	LV.A-60-14-AS-M8x68	60	M8	101	104	68	33	24	14	14	14000	74	93		
303221	LV.A-60-14-M10x43	307221	LV.A-60-14-AS-M10x43	60	M10	76	79	43	33	24	14	14	14000	71	90		
303225	LV.A-60-14-M10x68	307225	LV.A-60-14-AS-M10x68	60	M10	101	104	68	33	24	14	14	14000	83	102		
303231	LV.A-60-14-M10x98	307231	LV.A-60-14-AS-M10x98	60	M10	131	134	98	33	24	14	14	14000	97	116		
303321	LV.A-60-14-M12x43	307321	LV.A-60-14-AS-M12x43	60	M12	76	79	43	33	24	14	14	14000	81	100		
303325	LV.A-60-14-M12x68	307325	LV.A-60-14-AS-M12x68	60	M12	101	104	68	33	24	14	14	14000	98	117		
303331	LV.A-60-14-M12x98	307331	LV.A-60-14-AS-M12x98	60	M12	131	134	98	33	24	14	14	14000	119	138		
303421	LV.A-60-14-M14x68	307421	LV.A-60-14-AS-M14x68	60	M14	101	104	68	33	24	14	14	14000	123	139		
303431	LV.A-60-14-M14x98	307431	LV.A-60-14-AS-M14x98	60	M14	131	134	98	33	24	14	14	14000	144	160		
303441	LV.A-60-14-M14x148	307441	LV.A-60-14-AS-M14x148	60	M14	181	184	148	33	24	14	14	14000	227	243		
303521	LV.A-60-14-M16x68	307521	LV.A-60-14-AS-M16x68	60	M16	101	104	68	33	24	16	14	14000	142	161		
303525	LV.A-60-14-M16x108	307525	LV.A-60-14-AS-M16x108	60	M16	141	144	108	33	24	16	14	14000	194	213		
303541	LV.A-60-14-M16x148	307541	LV.A-60-14-AS-M16x148	60	M16	181	184	148	33	24	16	14	14000	246	265		
303561	LV.A-60-14-M16x168	307561	LV.A-60-14-AS-M16x168	60	M16	201	204	168	33	24	16	14	14000	272	291		

* The max static load is the value above which the load applied to the element may cause some plastic material breakage, in particular conditions of use. Obviously, a factor that takes into consideration the importance and the safety level of the specific application must be applied to this value.

Data with no-slip disk mounted.

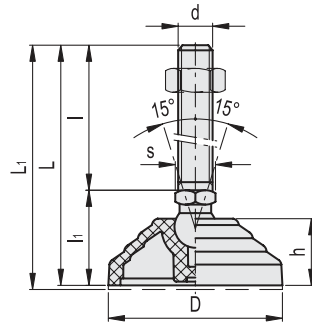
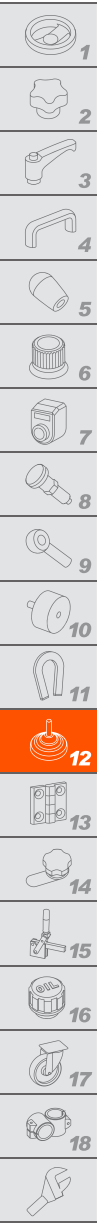
Conversion Table 1 mm = 0.039 inch	
D	
mm	inch
60	2.36
70	2.76
80	3.15
100	3.94
125	4.92

L.V.A		L.V.A-AS		METRIC											
Code	Description	Code	Description	D	d	L	Lt#	l	li	h	s	Articulation ∅	Max. limit stati load* [N]	⚖️	⚖️ #
303621	L.V.A-60-24-M16x58	307621	L.V.A-60-24-AS-M16x58	60	M16	101	104	58	43	24	24	24	18000	205	224
303625	L.V.A-60-24-M16x98	307625	L.V.A-60-24-AS-M16x98	60	M16	141	144	98	43	24	24	24	18000	256	275
303641	L.V.A-60-24-M16x138	307641	L.V.A-60-24-AS-M16x138	60	M16	181	184	138	43	24	24	24	18000	306	325
303661	L.V.A-60-24-M16x158	307661	L.V.A-60-24-AS-M16x158	60	M16	201	204	158	43	24	24	24	18000	333	352
303725	L.V.A-60-24-M20x98	307725	L.V.A-60-24-AS-M20x98	60	M20	141	144	98	43	24	24	24	18000	326	345
303741	L.V.A-60-24-M20x138	307741	L.V.A-60-24-AS-M20x138	60	M20	181	184	138	43	24	24	24	18000	405	424
303761	L.V.A-60-24-M20x158	307761	L.V.A-60-24-AS-M20x158	60	M20	201	204	158	43	24	24	24	18000	444	463
303781	L.V.A-60-24-M20x198	307781	L.V.A-60-24-AS-M20x198	60	M20	241	244	198	43	24	24	24	18000	527	546
303825	L.V.A-60-24-M24x98	307825	L.V.A-60-24-AS-M24x98	60	M24	141	144	98	43	24	24	24	18000	424	443
303861	L.V.A-60-24-M24x158	307861	L.V.A-60-24-AS-M24x158	60	M24	201	204	158	43	24	24	24	18000	596	615
303881	L.V.A-60-24-M24x198	307881	L.V.A-60-24-AS-M24x198	60	M24	241	244	198	43	24	24	24	18000	714	733
304005	L.V.A-70-14-M8x43	308005	L.V.A-70-14-AS-M8x43	70	M8	71	74	43	28	19	14	14	14000	60	80
304011	L.V.A-70-14-M8x68	308011	L.V.A-70-14-AS-M8x68	70	M8	96	99	68	28	19	14	14	14000	72	92
304021	L.V.A-70-14-M10x43	308021	L.V.A-70-14-AS-M10x43	70	M10	71	74	43	28	19	14	14	14000	69	89
304025	L.V.A-70-14-M10x68	308025	L.V.A-70-14-AS-M10x68	70	M10	96	99	68	28	19	14	14	14000	81	101
304031	L.V.A-70-14-M10x98	308031	L.V.A-70-14-AS-M10x98	70	M10	126	129	98	28	19	14	14	14000	95	115
304061	L.V.A-70-14-M12x43	308061	L.V.A-70-14-AS-M12x43	70	M12	71	74	43	28	19	14	14	14000	79	99
304065	L.V.A-70-14-M12x68	308065	L.V.A-70-14-AS-M12x68	70	M12	96	99	68	28	19	14	14	14000	96	116
304071	L.V.A-70-14-M12x98	308071	L.V.A-70-14-AS-M12x98	70	M12	126	129	98	28	19	14	14	14000	117	137
304075	L.V.A-70-14-M14x68	308075	L.V.A-70-14-AS-M14x68	70	M14	96	99	68	28	19	14	14	14000	118	138
304081	L.V.A-70-14-M14x98	308081	L.V.A-70-14-AS-M14x98	70	M14	126	129	98	28	19	14	14	14000	139	159
304085	L.V.A-70-14-M14x148	308085	L.V.A-70-14-AS-M14x148	70	M14	176	179	148	28	19	14	14	14000	222	242
304101	L.V.A-70-14-M16x68	308101	L.V.A-70-14-AS-M16x68	70	M16	96	99	68	28	19	16	14	14000	140	160
304105	L.V.A-70-14-M16x108	308105	L.V.A-70-14-AS-M16x108	70	M16	136	139	108	28	19	16	14	14000	192	212
304111	L.V.A-70-14-M16x148	308111	L.V.A-70-14-AS-M16x148	70	M16	176	179	148	28	19	16	14	14000	244	264
304115	L.V.A-70-14-M16x168	308115	L.V.A-70-14-AS-M16x168	70	M16	196	199	168	28	19	16	14	14000	270	290
304121	L.V.A-80-14-M8x43	308121	L.V.A-80-14-AS-M8x43	80	M8	76	79	43	33	24	14	14	16000	83	109
304125	L.V.A-80-14-M8x68	308125	L.V.A-80-14-AS-M8x68	80	M8	101	104	68	33	24	14	14	16000	95	121
304221	L.V.A-80-14-M10x43	308221	L.V.A-80-14-AS-M10x43	80	M10	76	79	43	33	24	14	14	16000	92	118
304225	L.V.A-80-14-M10x68	308225	L.V.A-80-14-AS-M10x68	80	M10	101	104	68	33	24	14	14	16000	104	130
304231	L.V.A-80-14-M10x98	308231	L.V.A-80-14-AS-M10x98	80	M10	131	134	98	33	24	14	14	16000	118	144
304321	L.V.A-80-14-M12x43	308321	L.V.A-80-14-AS-M12x43	80	M12	76	79	43	33	24	14	14	16000	102	128
304325	L.V.A-80-14-M12x68	308325	L.V.A-80-14-AS-M12x68	80	M12	101	104	68	33	24	14	14	16000	119	145
304331	L.V.A-80-14-M12x98	308331	L.V.A-80-14-AS-M12x98	80	M12	131	134	98	33	24	14	14	16000	140	166
304421	L.V.A-80-14-M14x68	308421	L.V.A-80-14-AS-M14x68	80	M14	101	104	68	33	24	14	14	16000	141	167
304431	L.V.A-80-14-M14x98	308431	L.V.A-80-14-AS-M14x98	80	M14	131	134	98	33	24	14	14	16000	162	188
304441	L.V.A-80-14-M14x148	308441	L.V.A-80-14-AS-M14x148	80	M14	181	184	148	33	24	14	14	16000	245	271
304521	L.V.A-80-14-M16x68	308521	L.V.A-80-14-AS-M16x68	80	M16	101	104	68	33	24	16	14	16000	163	189
304525	L.V.A-80-14-M16x108	308525	L.V.A-80-14-AS-M16x108	80	M16	141	144	108	33	24	16	14	16000	215	241
304541	L.V.A-80-14-M16x148	308541	L.V.A-80-14-AS-M16x148	80	M16	181	184	148	33	24	16	14	16000	267	293
304561	L.V.A-80-14-M16x168	308561	L.V.A-80-14-AS-M16x168	80	M16	201	204	168	33	24	16	14	16000	293	319
304621	L.V.A-80-24-M16x58	308621	L.V.A-80-24-AS-M16x58	80	M16	101	104	58	43	24	24	24	18000	225	251
304625	L.V.A-80-24-M16x98	308625	L.V.A-80-24-AS-M16x98	80	M16	141	144	98	43	24	24	24	18000	276	302
304641	L.V.A-80-24-M16x138	308641	L.V.A-80-24-AS-M16x138	80	M16	181	184	138	43	24	24	24	18000	326	352
304661	L.V.A-80-24-M16x158	308661	L.V.A-80-24-AS-M16x158	80	M16	201	204	158	43	24	24	24	18000	353	379
304725	L.V.A-80-24-M20x98	308725	L.V.A-80-24-AS-M20x98	80	M20	141	144	98	43	24	24	24	18000	346	372
304741	L.V.A-80-24-M20x138	308741	L.V.A-80-24-AS-M20x138	80	M20	181	184	138	43	24	24	24	18000	425	451
304761	L.V.A-80-24-M20x158	308761	L.V.A-80-24-AS-M20x158	80	M20	201	204	158	43	24	24	24	18000	464	490
304781	L.V.A-80-24-M20x198	308781	L.V.A-80-24-AS-M20x198	80	M20	241	244	198	43	24	24	24	18000	547	573
304825	L.V.A-80-24-M24x98	308825	L.V.A-80-24-AS-M24x98	80	M24	141	144	98	43	24	24	24	18000	444	470
304861	L.V.A-80-24-M24x158	308861	L.V.A-80-24-AS-M24x158	80	M24	201	204	158	43	24	24	24	18000	616	642
304881	L.V.A-80-24-M24x198	308881	L.V.A-80-24-AS-M24x198	80	M24	241	244	198	43	24	24	24	18000	734	760

* The max static load is the value above which the load applied to the element may cause some plastic material breakage, in particular conditions of use. Obviously, a factor that takes into consideration the importance and the safety level of the specific application must be applied to this value.

Data with no-slip disk mounted.





Conversion Table	
1 mm = 0.039 inch	
D	
mm	inch
60	2.36
70	2.76
80	3.15
100	3.94
125	4.92

LVA

LV.A-AS

Code	Description	Code	Description	D	d	L	L1#	l	l1	h	s	Articulation ∅	Max. limit stati load* [N]	⚖️	⚖️#
305451	LVA-100-14-M8x43	309451	LV.A-100-14-AS-M8x43	100	M8	76	79	43	33	24	14	14	18000	91	146
305453	LVA-100-14-M8x68	309453	LV.A-100-14-AS-M8x68	100	M8	101	104	68	33	24	14	14	18000	103	158
305461	LVA-100-14-M10x43	309461	LV.A-100-14-AS-M10x43	100	M10	76	79	43	33	24	14	14	18000	100	155
305463	LVA-100-14-M10x68	309463	LV.A-100-14-AS-M10x68	100	M10	101	104	68	33	24	14	14	18000	112	167
305465	LVA-100-14-M10x98	309465	LV.A-100-14-AS-M10x98	100	M10	131	134	98	33	24	14	14	18000	126	181
305471	LVA-100-14-M12x43	309471	LV.A-100-14-AS-M12x43	100	M12	76	79	43	33	24	14	14	18000	110	165
305473	LVA-100-14-M12x68	309473	LV.A-100-14-AS-M12x68	100	M12	101	104	68	33	24	14	14	18000	127	182
305475	LVA-100-14-M12x98	309475	LV.A-100-14-AS-M12x98	100	M12	131	134	98	33	24	14	14	18000	148	203
305477	LVA-100-14-M14x68	309477	LV.A-100-14-AS-M14x68	100	M14	101	104	68	33	24	14	14	18000	149	204
305479	LVA-100-14-M14x98	309479	LV.A-100-14-AS-M14x98	100	M14	131	134	98	33	24	14	14	18000	170	225
305480	LVA-100-14-M14x148	309480	LV.A-100-14-AS-M14x148	100	M14	181	184	148	33	24	14	14	18000	253	308
305481	LVA-100-14-M16x68	309481	LV.A-100-14-AS-M16x68	100	M16	101	104	68	33	24	16	14	18000	171	226
305483	LVA-100-14-M16x108	309483	LV.A-100-14-AS-M16x108	100	M16	141	144	108	33	24	16	14	18000	223	278
305485	LVA-100-14-M16x148	309485	LV.A-100-14-AS-M16x148	100	M16	181	184	148	33	24	16	14	18000	275	330
305487	LVA-100-14-M16x168	309487	LV.A-100-14-AS-M16x168	100	M16	201	204	168	33	24	16	14	18000	301	356
305521	LVA-100-24-M16x58	309521	LV.A-100-24-AS-M16x58	100	M16	101	104	58	43	24	24	24	25000	251	305
305525	LVA-100-24-M16x98	309525	LV.A-100-24-AS-M16x98	100	M16	141	144	98	43	24	24	24	25000	302	356
305541	LVA-100-24-M16x138	309541	LV.A-100-24-AS-M16x138	100	M16	181	184	138	43	24	24	24	25000	352	406
305561	LVA-100-24-M16x158	309561	LV.A-100-24-AS-M16x158	100	M16	201	204	158	43	24	24	24	25000	379	433
305625	LVA-100-24-M20x98	309625	LV.A-100-24-AS-M20x98	100	M20	141	144	98	43	24	24	24	25000	372	426
305641	LVA-100-24-M20x138	309641	LV.A-100-24-AS-M20x138	100	M20	181	184	138	43	24	24	24	25000	451	505
305661	LVA-100-24-M20x158	309661	LV.A-100-24-AS-M20x158	100	M20	201	204	158	43	24	24	24	25000	490	544
305681	LVA-100-24-M20x198	309681	LV.A-100-24-AS-M20x198	100	M20	241	244	198	43	24	24	24	25000	573	627
305725	LVA-100-24-M24x98	309725	LV.A-100-24-AS-M24x98	100	M24	141	144	98	43	24	24	24	25000	470	524
305761	LVA-100-24-M24x158	309761	LV.A-100-24-AS-M24x158	100	M24	201	204	158	43	24	24	24	25000	642	696
305781	LVA-100-24-M24x198	309781	LV.A-100-24-AS-M24x198	100	M24	241	244	198	43	24	24	24	25000	760	814
306521	LVA-125-24-M16x58	310221	LV.A-125-24-AS-M16x58	125	M16	125	128	58	67	46	24	24	28000	386	512
306525	LVA-125-24-M16x98	310225	LV.A-125-24-AS-M16x98	125	M16	165	168	98	67	46	24	24	28000	437	563
306541	LVA-125-24-M16x138	310241	LV.A-125-24-AS-M16x138	125	M16	205	208	138	67	46	24	24	28000	487	613
306561	LVA-125-24-M16x158	310261	LV.A-125-24-AS-M16x158	125	M16	225	228	158	67	46	24	24	28000	514	640
306625	LVA-125-24-M20x98	310325	LV.A-125-24-AS-M20x98	125	M20	165	168	98	67	46	24	24	28000	507	633
306641	LVA-125-24-M20x138	310341	LV.A-125-24-AS-M20x138	125	M20	205	208	138	67	46	24	24	28000	586	712
306661	LVA-125-24-M20x158	310361	LV.A-125-24-AS-M20x158	125	M20	225	228	158	67	46	24	24	28000	625	751
306681	LVA-125-24-M20x198	310381	LV.A-125-24-AS-M20x198	125	M20	265	268	198	67	46	24	24	28000	708	834
306725	LVA-125-24-M24x98	310425	LV.A-125-24-AS-M24x98	125	M24	165	168	98	67	46	24	24	28000	605	731
306761	LVA-125-24-M24x158	310461	LV.A-125-24-AS-M24x158	125	M24	225	228	158	67	46	24	24	28000	777	903
306781	LVA-125-24-M24x198	310481	LV.A-125-24-AS-M24x198	125	M24	265	268	198	67	46	24	24	28000	895	1021

* The max static load is the value above which the load applied to the element may cause some plastic material breakage, in particular conditions of use. Obviously, a factor that takes into consideration the importance and the safety level of the specific application must be applied to this value.

Data with no-slip disk mounted.

