

NOTES:

1. MATERIALS AND FINISHES:
 HD-BNC STR CRIMP PLUG - 34-1025
 BNC STR CRIMP PLUG - 112951-11
 CABLE - BELDEN 1505A

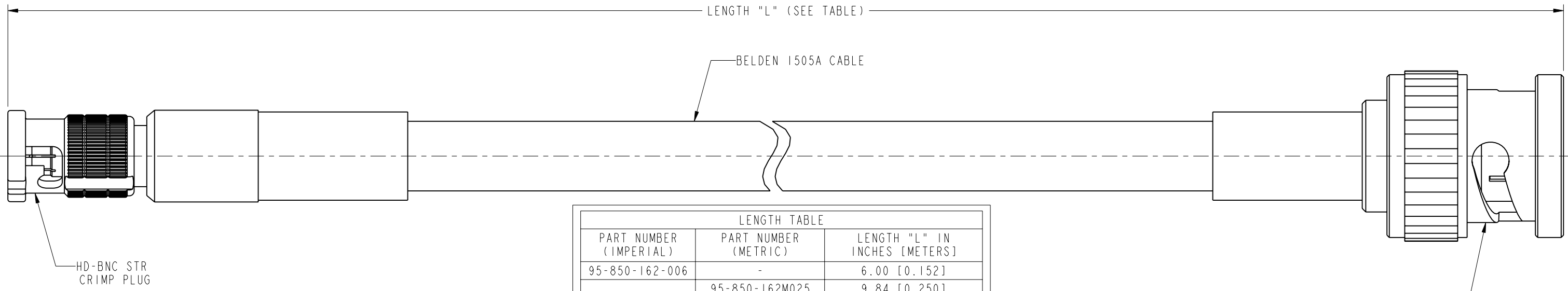
3. PACKAGING:
 A. QUANTITY: SINGLE PACK
 B. MARKING: BAG TO BE MARKED
 "AMPHENOL RF, 95-850-162XXXX AND DATE CODE".

2. ELECTRICAL:
 A. IMPEDANCE: 75 OHM

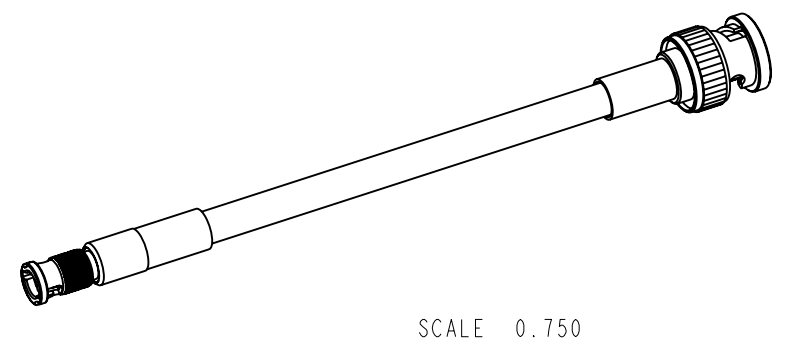
THIRD ANGLE PROJ.

REVISIONS

| REV | DESCRIPTION | DATE | ECO | APPR |
|-----|--|-----------|-------|--------|
| A | RELEASE TO MFG | 5/12/15 | 50373 | NR/BCG |
| B | HST REMOVED | 6/30/15 | 50581 | NR/BCG |
| C | RELEASE IN ARFA. NO CHANGE IN THIS SHEET | 17-Jan-18 | 06565 | SH |



| LENGTH TABLE | | |
|------------------------|----------------------|-------------------------------|
| PART NUMBER (IMPERIAL) | PART NUMBER (METRIC) | LENGTH "L" IN INCHES [METERS] |
| 95-850-162-006 | - | 6.00 [0.152] |
| | 95-850-162M025 | 9.84 [0.250] |
| 95-850-162-012 | - | 12.00 [0.305] |
| 95-850-162-018 | - | 18.00 [0.457] |
| - | 95-850-162M050 | 19.69 [0.500] |
| 95-850-162-024 | - | 24.00 [0.610] |
| - | 95-850-162M075 | 29.53 [0.750] |
| 95-850-162-036 | - | 36.00 [0.914] |
| - | 95-850-162M100 | 39.37 [1.000] |
| 95-850-162-048 | - | 48.00 [1.219] |
| - | 95-850-162M125 | 49.21 [1.250] |
| - | 95-850-162M150 | 59.06 [1.500] |
| 95-850-162-060 | - | 60.00 [1.524] |
| 95-850-162-072 | - | 72.00 [1.829] |
| - | 95-850-162M200 | 78.74 [2.000] |
| - | 95-850-162M300 | 118.11 [3.000] |
| 95-850-162-120 | - | 120.00 [3.048] |
| 95-850-162-180 | - | 180.00 [4.572] |
| | 95-850-162M500 | 196.85 [5.000] |
| 95-850-162-300 | - | 300.00 [7.620] |
| - | 95-850-162M10L | 393.70 [10.000] |
| 95-850-162L050 | - | 600.00 [15.240] |
| - | 95-850-162M20L | 787.40 [20.000] |
| 95-850-162L075 | - | 900.00 [22.860] |
| - | 95-850-162M30L | 1181.10 [30.000] |
| 95-850-162L100 | - | 1200.00 [30.480] |



DESIGN REQUIREMENTS:

- | | |
|--|---|
| <input checked="" type="checkbox"/> FREQUENCY: DC TO 3 GHz | <input checked="" type="checkbox"/> CONTINUITY |
| <input type="checkbox"/> VSWR _____ MAX | <input checked="" type="checkbox"/> HI-POT : 500 VRMS |
| <input type="checkbox"/> INS. LOSS _____ dB MAX | <input type="checkbox"/> OTHER |

CUSTOMER OUTLINE DRAWING
 ALL OTHER SHEETS ARE FOR INTERNAL USE ONLY

| | | | | | | | |
|---|------------------------------|----------|-----------|---|------------------|---|------------------------|
| UNLESS OTHERWISE SPECIFIED, DIMENSIONS ARE IN INCHES AND TOLERANCES ARE: 2 PLACE DECIMAL 3 PLACE DECIMAL ANGLES ±.015 (0.381 mm) ±.005 (0.127 mm) ± 1° | MATERIAL | DRAWN | DATE | TITLE HD-BNC STR CRIMP PLUG TO BNC STR CRIMP PLUG, USING BELDEN 1505A CABLE, VARIOUS LENGTH | | Amphenol RF www.amphenolrf.com | |
| | SEE NOTES | L.QIN | 17-Jan-18 | | | | |
| NOTICE - These drawings, specifications, or other data (1) are, and remain the property of Amphenol corp. (2) must be returned upon request; and (3) are confidential and not to be disclosed to any person other than those to whom they are given by Amphenol Corp. the furnishing of these drawings, specifications, or other data by Amphenol Corp., or to any other person to anyone for any purpose is not to be regarded by implication or otherwise in any manner licensing, granting rights to permitting such holder or any other person to manufacture, use or sell any product, process or design, patented or otherwise, that may in any way be related to or disclosed by said drawings, specifications, or other data. | REFERENCE | ENGINEER | DATE | SCALE: 3.0:1.0 SHEET 2 OF 2 | | DRAWING NO.95-850-162XXXX ITEM NO.95-850-162XXXX | |
| | EAR # 6514 | CLEMENT | 10-Dec-14 | | | | |
| | CONFIGURATION LEVEL: In Work | APPROVED | DATE | | DWG SIZE B REV C | | PART NO.95-850-162XXXX |
| FINISH | K. CAPOZZI | 6/30/15 | CAD FILE | | | | |