

953381-1 ✓ ACTIVE

MQS

TE Internal #: 953381-1

Automotive Connector Locks & Position Assurance, Locking Device, Black, PBT GF, -40 – 100 °C [-40 – 212 °F], MQS

[View on TE.com >](#)



Connectors > Automotive Connectors > Automotive Connector Accessories > Automotive Connector Locks & Position Assurance



Connector & Contact Retention Accessory Type: **Locking Device**

Primary Product Color: **Black**

Primary Product Material: **PBT GF**

Operating Temperature Range: **-40 – 100 °C [-40 – 212 °F]**

Features

Product Type Features

Connector & Contact Retention Accessory Type	Locking Device
--	----------------

Body Features

Primary Product Color	Black
Primary Product Material	PBT GF

Usage Conditions

Operating Temperature Range	-40 – 100 °C[-40 – 212 °F]
-----------------------------	----------------------------

Industry Standards

UL Flammability Rating	UL 94HB
------------------------	---------

Packaging Features

Packaging Method	Box
------------------	-----

Other

Serviceable	Yes
-------------	-----

Product Compliance

[For compliance documentation, visit the product page on TE.com>](#)

EU RoHS Directive 2011/65/EU	Compliant
EU ELV Directive 2000/53/EC	Compliant
China RoHS 2 Directive MIIT Order No 32, 2016	No Restricted Materials Above Threshold
EU REACH Regulation (EC) No. 1907/2006	



Current ECHA Candidate List: JUNE 2023

(235)

Candidate List Declared Against: JAN 2023

(233)

Does not contain REACH SVHC

Halogen Content

Low Halogen - Br, Cl, F, I < 900 ppm per homogenous material. Also BFR/CFR/PVC Free

Solder Process Capability

Not applicable for solder process capability

Product Compliance Disclaimer

This information is provided based on reasonable inquiry of our suppliers and represents our current actual knowledge based on the information they provided. This information is subject to change. The part numbers that TE has identified as EU RoHS compliant have a maximum concentration of 0.1% by weight in homogenous materials for lead, hexavalent chromium, mercury, PBB, PBDE, DBP, BBP, DEHP, DIBP, and 0.01% for cadmium, or qualify for an exemption to these limits as defined in the Annexes of Directive 2011/65/EU (RoHS2). Finished electrical and electronic equipment products will be CE marked as required by Directive 2011/65/EU. Components may not be CE marked. Additionally, the part numbers that TE has identified as EU ELV compliant have a maximum concentration of 0.1% by weight in homogenous materials for lead, hexavalent chromium, and mercury, and 0.01% for cadmium, or qualify for an exemption to these limits as defined in the Annexes of Directive 2000/53/EC (ELV). Regarding the REACH Regulation, the information TE provides on SVHC in articles for this part number is based on the latest European Chemicals Agency (ECHA) 'Guidance on requirements for substances in articles' posted at this URL: <https://echa.europa.eu/guidance-documents/guidance-on-reach>

Compatible Parts



TE Part # CAT-M8793-CH8172
MQS, CONNECTOR HOUSING

Also in the Series | MQS




Automotive Connector Caps & Covers (138)



Automotive Connector EMC Shielding (3)



Automotive Connector Locks & Position Assurance(30)



Automotive Housings(506)



Automotive Terminals(104)



Connector Seals & Cavity Plugs(27)



Insertion & Extraction Tools(42)



Other Automotive Connector Accessories(14)

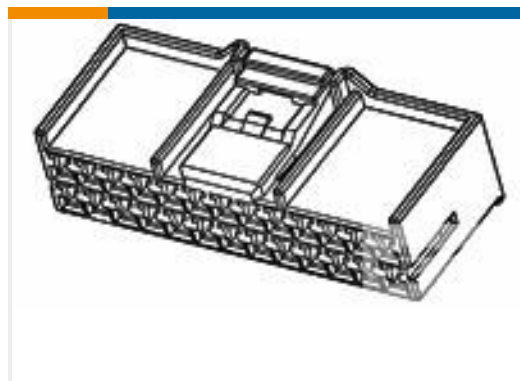


PCB Headers & Receptacles(214)

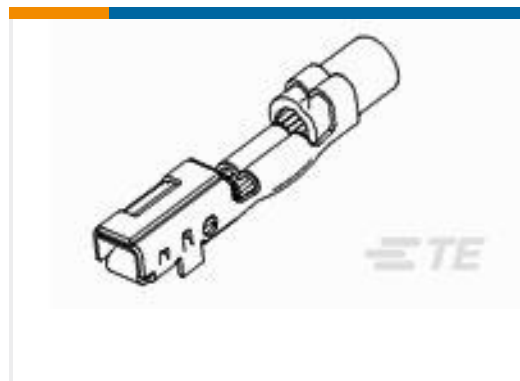
Customers Also Bought



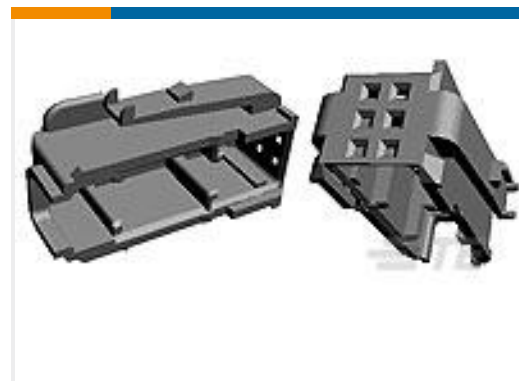
TE Part #284224-2
MQS, CONNECTOR HOUSING



TE Part #936095-1
090III 20P PLUG ASSY



TE Part #1897598-1
090III MLC REC(LL) CONT



TE Part #953382-2
COVER FOR 6W HSG MQS GEN2



TE Part #1-1534170-1
MQS ABDECKKAPPE2X5P



TE Part #1897785-2
SLOT CLIP FOR RF STRIPLINE



TE Part #1-2379004-1
BCM 52P PLUG,CONN KIT



TE Part #2005210-2
TCU 68P PLUG ASSY

Documents

Product Drawings

[LOCKING DEVICE FOR 6W MQS](#)

English

CAD Files

Customer View Model

[ENG_CVM_953381-1_C.3d_igs.zip](#)

English

Customer View Model



[ENG_CVM_953381-1_C.3d_stp.zip](#)

English

Customer View Model

[ENG_CVM_953381-1_C.2d_dxf.zip](#)

English

3D PDF

3D

By downloading the CAD file I accept and agree to the [Terms and Conditions](#) of use.

Product Specifications

[Product Specification](#)

English

Instruction Sheets

[6 VOIES MQS GENE II](#)

English

[Instruction Sheet \(non U.S.\)](#)

English