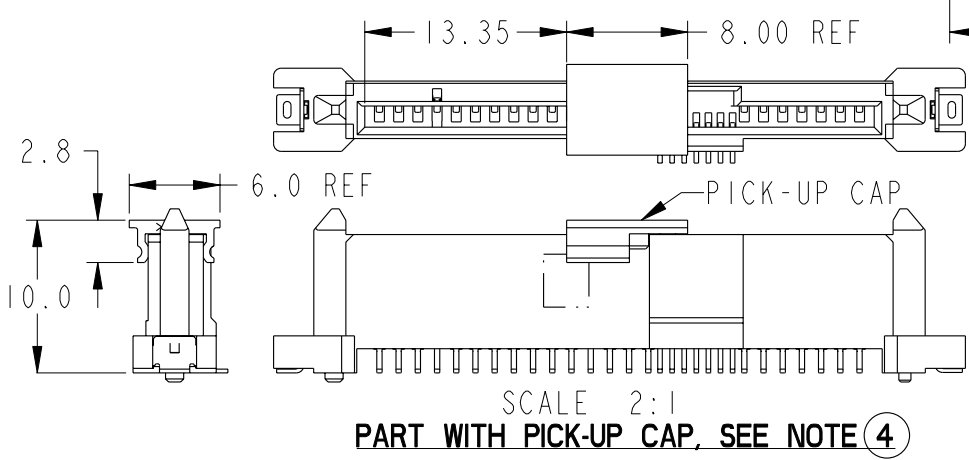
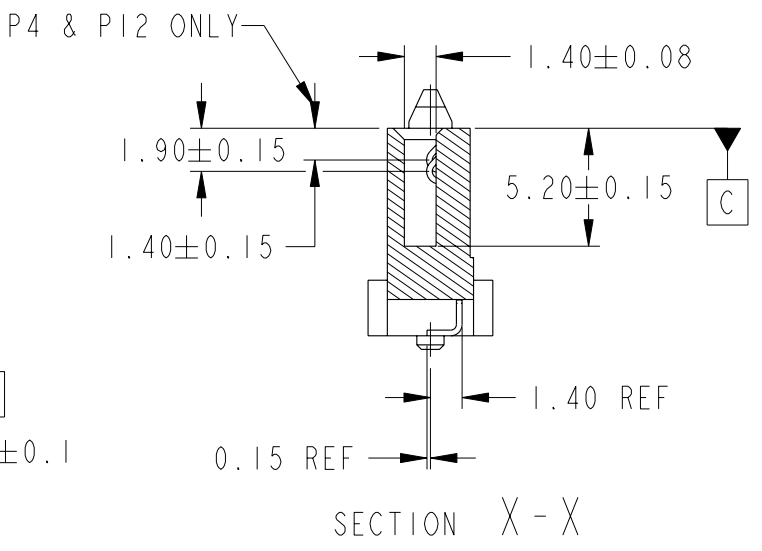
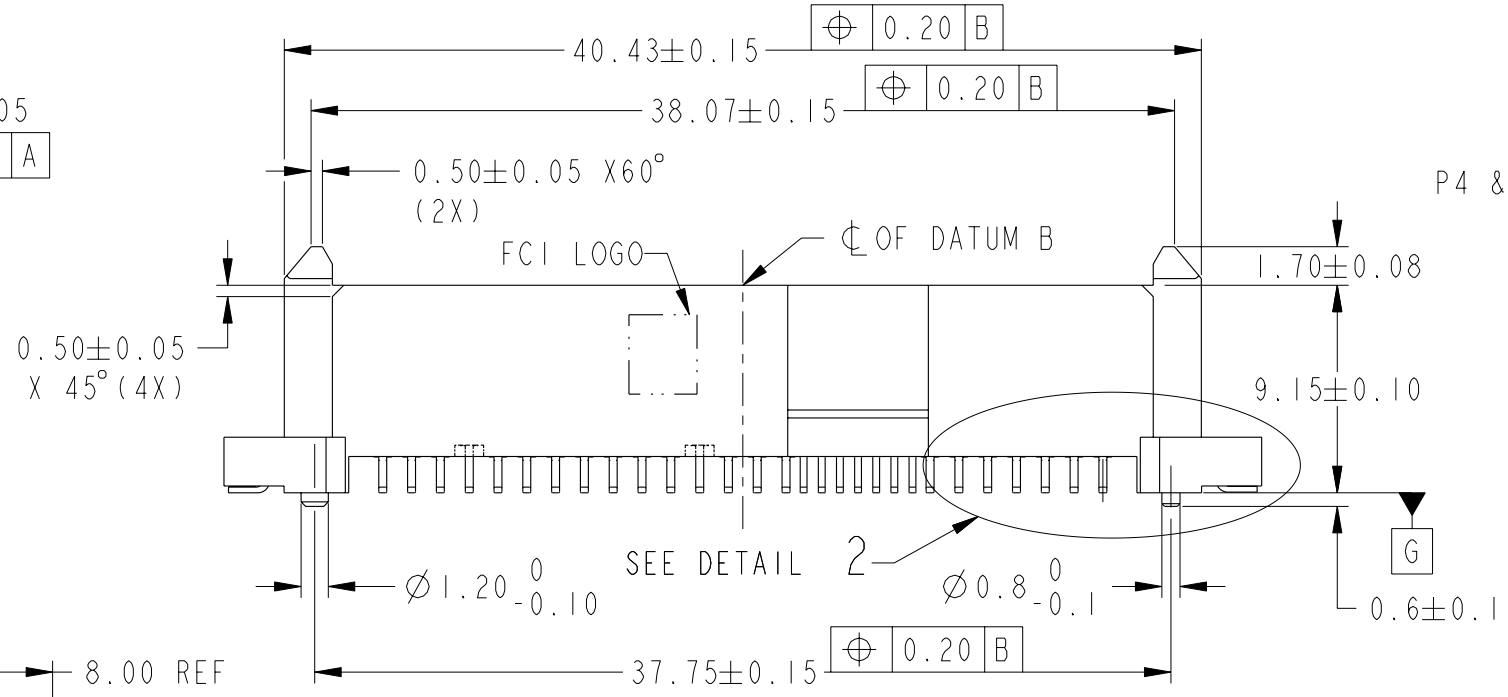
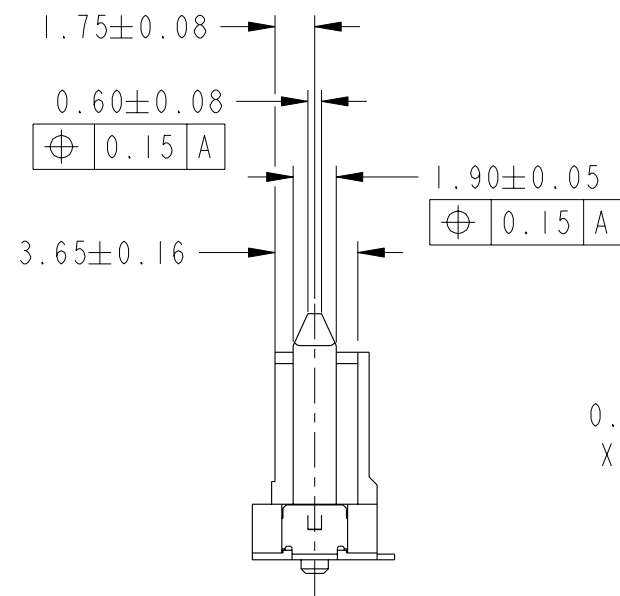
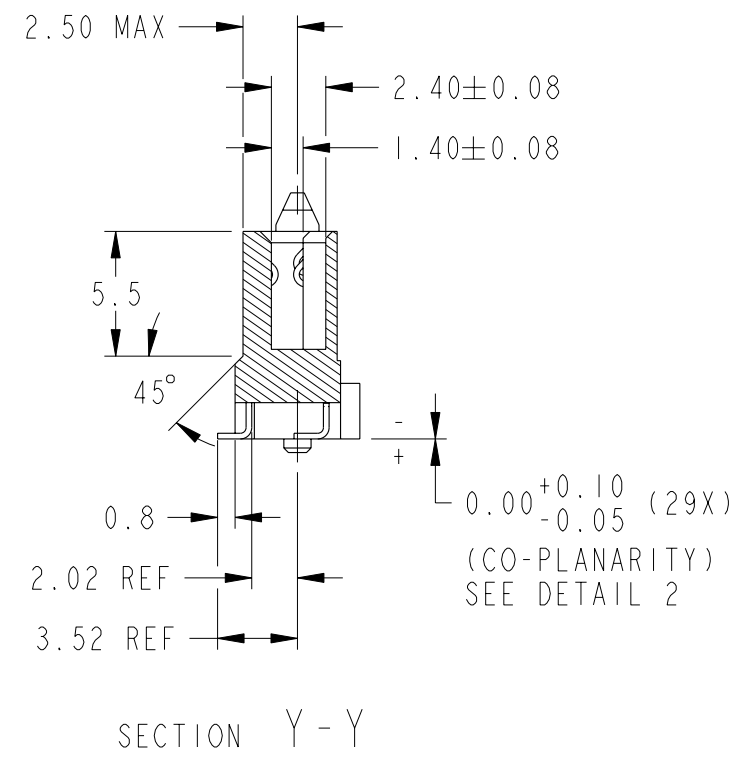
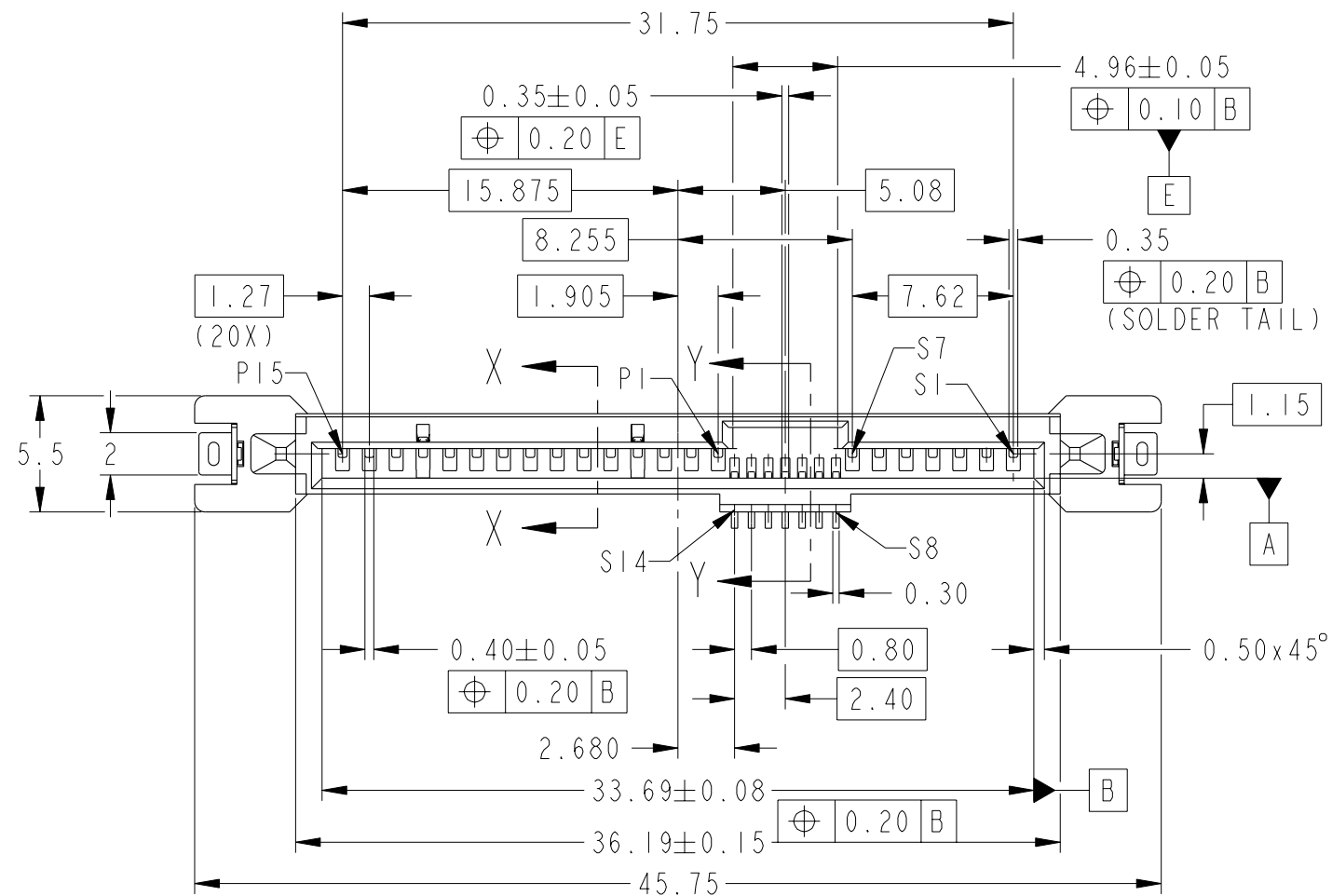


PRODUCT NO
SEE TABLE



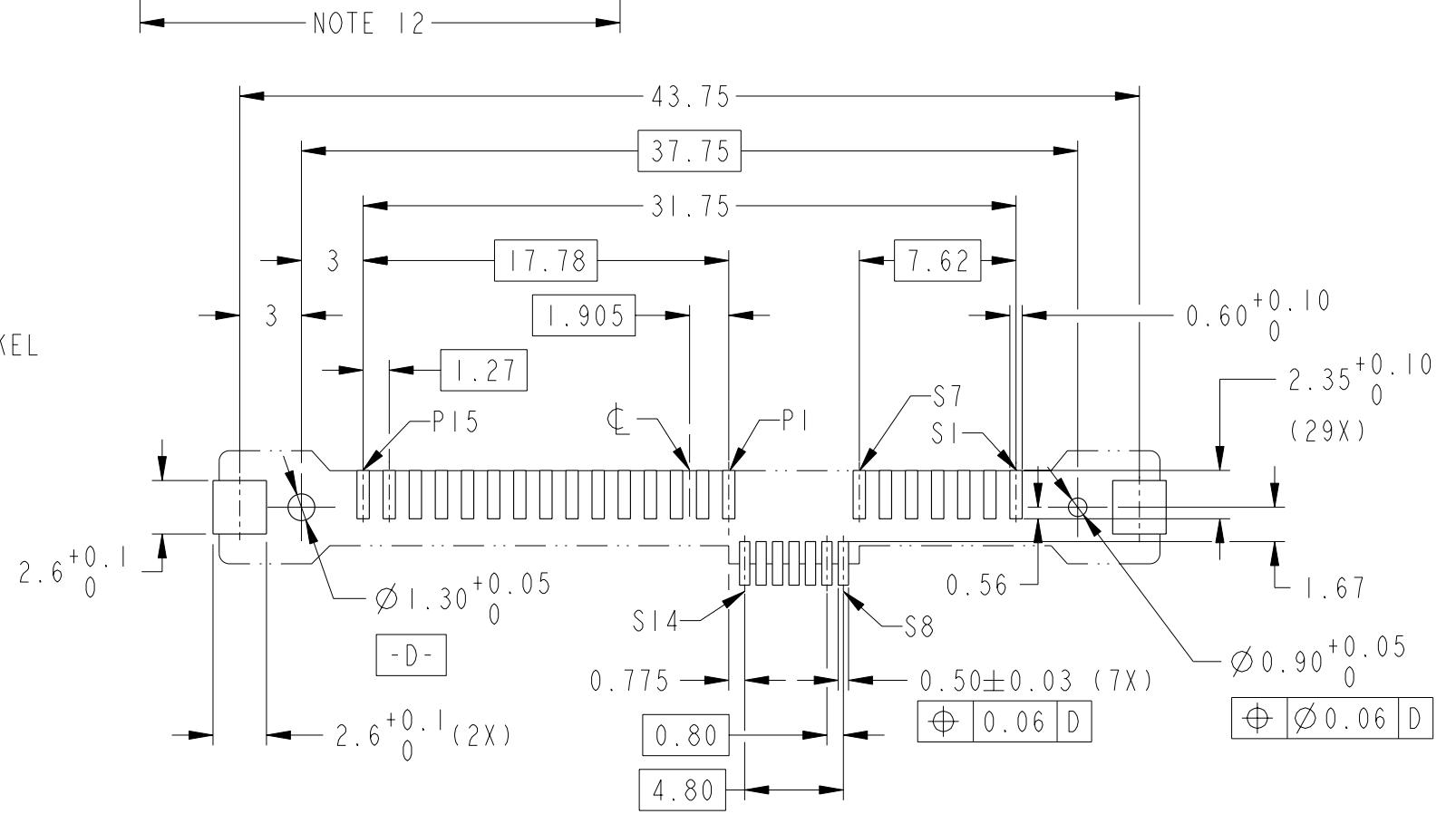
spec ref	-	dr	GL LOO	2009-09-23	projection	MM	size	A3	scale	3:1	
tolerance std	ISO 406 ISO 1101	eng	GL LOO	2009-09-23			ecn no	S11-0019			
TOLERANCES UNLESS OTHERWISE SPECIFIED		chr	GL LOO	2011-09-01			product family	SAS	rel level	-	
surface	ISO 1302	appr	JOEY NG	2011-09-01	SAS RECEPTACLE VERTICAL SMT TYPE ASSY			dwg no	10107271	rev	B
	linear	0.X	±-		www.fci.com	cat. no.	-	CUSTOMER	sheet 1 of 2		
	angular	0°	±2°								

Copyright FCI.

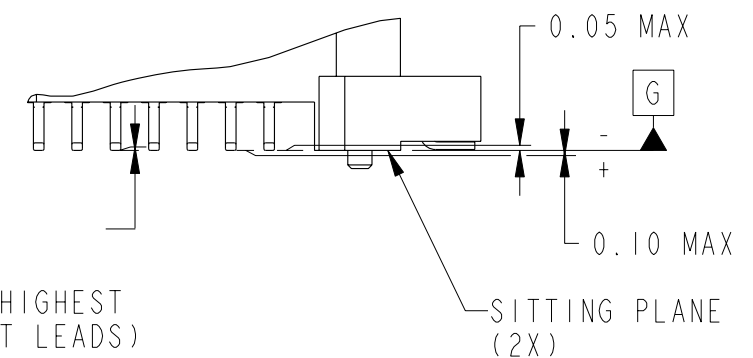
PRODUCT NO	METAL CLIP	PLATING	PICK-UP CAP	PACKAGING	REMARK	PRODUCT NO	PLATING
10107271-001LF	2 PCS	NOTE 2	NO	TRAY	NOTE ⑨	10107271-401LF	NOTE 12
10107271-001CLF			YES		NOTE ④ & ⑨	10107271-401CLF	
10107271-001C-TRLF			YES	TAPE & REEL	NOTE ④, ⑦ & ⑨	10107271-401C-TRLF	

NOTES:

- MATERIAL :
 1) HOUSING : HIGH TEMP THERMOPLASTIC, UL 94V-0
 COLOR : BLACK
 2) TERMINAL : COPPER ALLOY
 3) HOLD DOWN : COPPER ALLOY
- FINISH :
 1) TERMINAL : 30μ" Au PLATING (CONTACT POINT) OVER 50μ" NICKEL
 2) SOLDER TAIL : 100μ" MIN Sn OVER 50μ" NICKEL
 3) HOLD DOWN : 100μ" MIN Sn OVER 50μ" NICKEL
- PER SFF REV 2.2, EXCEPT 0.8mm PITCH BUMP AREA.
- PART WITH PICK-UP CAP, P/N XXXXXXXX-XXXX LF.
- PRODUCT SPECIFICATION : GS -12-282
- THE STD PACKAGING IS IN TRAY UNLESS OTHERWISE SPECIFIED.
- THE PART NUMBERS WITH SUFFIX "-TR" MEANS FOR TAPE & REEL PACKAGING (XXXXXXX-XXXX-TRLF).
- THE HOUSING WILL WITHSTAND EXPOSURE TO 260°C PEAK TEMPERATURE FOR 10 SECONDS IN A CONVECTION, INFRA-RED OR VAPOR PHASE REFLOW OVEN.
- THIS PRODUCT MEETS EUROPEAN UNION DIRECTIVES AND OTHER COUNTRY REGULATIONS AS DESCRIBED IN GS-22-008.
- PART NUMBER ENDING IN "LF" MEANS FOR NOTE 9 LEAD FREE IDENTIFICATION
- A $\triangle B$ SYMBOL WILL BE NEXT TO ANY DIMENSION, VIEW, OR NOTE WHICH HAS BEEN MODIFIED WITH THE CURRENT DRAWING REVISION.
- FINISH :
 1) TERMINAL : 15μ" GXT PLATING (CONTACT POINT) OVER 50μ" NICKEL
 2) SOLDER TAIL : 100μ" MIN Sn OVER 50μ" NICKEL
 3) HOLD DOWN : 100μ" MIN Sn OVER 50μ" NICKEL



RECOMMENDED PCB LAYOUT



DETAIL 2
SCALE 4:1

spec ref	-	dr	GL LOO	2009-09-23	projection	MM	size	A3	scale	3:1												
tolerance std	TOLERANCES UNLESS OTHERWISE SPECIFIED	eng	GL LOO	2009-09-23			ecn no	S11-0019	rel level	-												
ISO 406 ISO 1101		chr	GL LOO	2011-09-01							product family	SAS										
surface	<table border="1"> <tr> <td>linear</td> <td>0.X</td> <td>±-</td> </tr> <tr> <td></td> <td>0.XX</td> <td>±0.20</td> </tr> <tr> <td></td> <td>0.XXX</td> <td>±-</td> </tr> <tr> <td>angular</td> <td>0°</td> <td>±2°</td> </tr> </table>	linear	0.X	±-		0.XX	±0.20		0.XXX	±-	angular	0°	±2°	appr	JOEY NG	2011-09-01	SAS RECEPTACLE		cat. no.	-	customer	
linear	0.X	±-																				
	0.XX	±0.20																				
	0.XXX	±-																				
angular	0°	±2°																				
ISO 1302		www.fci.com																				
							<table border="1"> <tr> <td>dwg no</td> <td>10107271</td> <td>rev</td> <td>B</td> </tr> </table>	dwg no	10107271	rev	B	sheet 2 of 2										
dwg no	10107271	rev	B																			