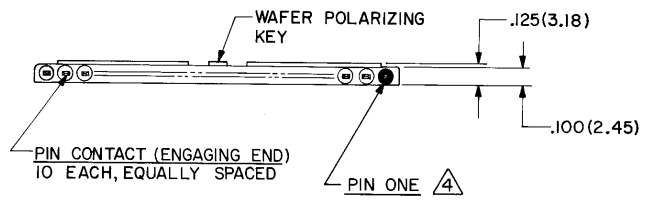
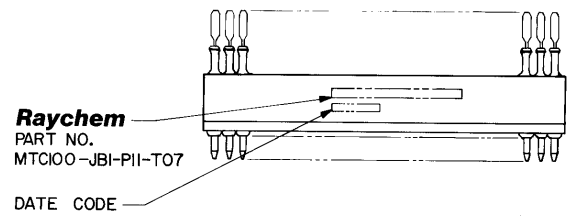
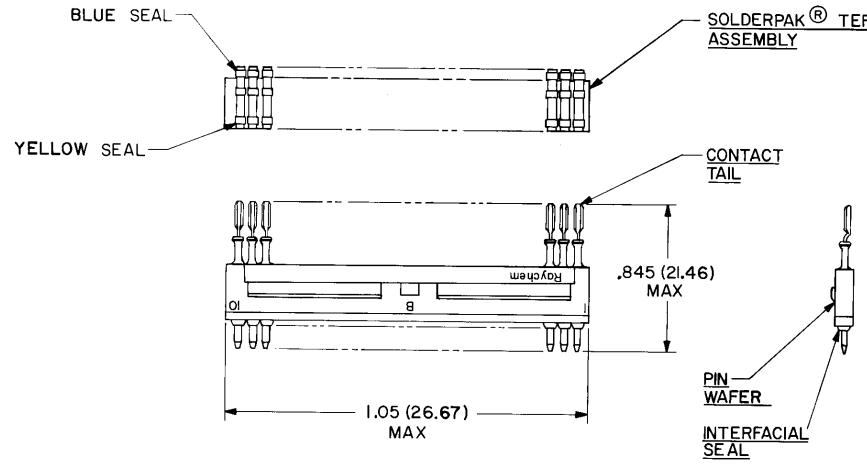


REVISIONS				
ZONE	LTR	DESCRIPTION	DATE	APPROVED
-	A	CHG'D PER DCO #T-02583	W.J.	



⚠ WEIGHT (MAX.) \approx $\frac{\text{LBS. | GRAMS}}{.0047 | 2.12}$

⚠ PIN ONE : PIN NUMBER ONE MARKED IN CONTRASTING COLOR ON INTERFACIAL SEAL.

3. WAFER : WAFER MEETS THE REQUIREMENTS OF RAYCHEM SPECIFICATION D-6012.

2. FINISH :
 2-A PIN WAFER ; FINISH TO BE AS MOLDED.
 2-B PIN CONTACT ; GOLD PLATE PER MIL-G-45204, CLASS I.
 (ENGAGING END)
 2-C CONTACT TAIL ; COATED WITH SOLDER PER QQ-S-571.

1. MATERIAL :
 1-A PIN WAFER ; HIGH GRADE POLYARYLENE THERMO-PLASTIC.
 1-B PIN CONTACT ; COPPER ALLOY PER QQ-B-613 OR QQ-C-502.
 1-C INTERFACIAL SEAL ; SILICONE ELASTOMER PER MIL-R-25988.
 1-D SOLDERPAK® TERMINATORS ASSY ; REFER TO RAYCHEM DWG. CTA-0035 FOR DATA.

NOTES

DO NOT SCALE THIS DRAWING

If this document is printed it becomes uncontrolled.
 Check with the web for latest revision.

© Raychem Corporation 1981

SPECIFICATION CONTROL DRAWING

UNLESS OTHERWISE SPECIFIED DIMENSIONS ARE IN INCHES BRACKETED DIMENSIONS () ARE METRIC AND TOLERANCES ARE: .XXX: \pm .005 (0.13 M.M.) .XX: \pm .02 (0.51 M.M.) .X: \pm .001 (0.025 M.M.)	DRAWN	W.V.J.	1-15-81	Raychem <small>RAYCHEM CORPORATION 300 CONSTITUTION DRIVE MENLO PARK, CALIFORNIA 94025</small> TITLE KIT, 1" PIN WAFER "B" WITH SOLDERPAK® TERMINATORS, FOR ROUND WIRE (20-26 AWG), 125°C TEMPERATURE RATING MTC 100 SERIES
	CHECKED	SB		
	APPROVED	<i>[Signature]</i>	1-22-81	
	APPROVED	<i>[Signature]</i>	2-6-81	
				SIZE C CODE IDENT NO. 06090 DWG. NO. MTC100-JBI-P11-T07 WEIGHT \triangle SHEET OF