



RONIS key-operated switch, 22 mm, round, plastic, lock number SB30, with 2 keys, 3 switch positions I>O-II, momentary contact on the left, latching on the right, actuating angle 2x45°, 10:30h/12h/13:30h, Key removal II, possible special locks: SB31, 421, 455

|  |  |
|--|--|
| product brand name                                 | SIRIUS ACT   |
| product designation                                | Key-operated switches  |
| design of the product                              | Actuating/signaling element  |
| product type designation                           | 3SU1   |
| product line                                       | Plastic, black, 22 mm  |
| manufacturer's article number of included key      | <a href="#">3SU1950-0FB80-0AA0</a>   |
| <b>Actuator</b>                                    |  |
| principle of operation of the actuating element    | momentary contact/latching, 2x45° (10:30 h/12 h/13:30 h), return from left, right latching |
| product extension optional light source            | No   |
| color  |  |
| • of the actuating element                         | silver   |
| material of the actuating element                  | metal  |
| shape of the actuating element                     | Key  |
| outer diameter of the actuating element            | 29.5 mm  |
| number of switching positions                      | 3  |
| switch position for key distraction                | II   |
| actuating angle                                    |  |
| • clockwise  | 45°  |
| • anticlockwise                                    | 45°  |
| lock make  | RONIS  |
| key number   | SB30   |
| <b>Front ring</b>                                  |  |
| product component front ring                       | Yes  |
| design of the front ring                           | Standard   |
| material of the front ring                         | plastic  |
| color of the front ring                            | black  |
| <b>General technical data</b>                      |  |
| protection class IP                                | IP66, IP67, IP69(IP69K)  |
| • of the terminal                                  | IP20   |
| degree of protection NEMA rating                   | 1, 2, 3, 3R, 4, 4X, 12, 13   |
| shock resistance                                   |  |
| • according to IEC 60068-2-27                      | sinusoidal half-wave 15g / 11 ms   |
| • for railway applications according to EN 61373   | Category 1, Class B  |
| vibration resistance                               |  |
| • according to IEC 60068-2-6                       | 10 ... 500 Hz: 5g  |
| • for railway applications according to EN 61373   | Category 1, Class B  |
| operating frequency maximum                        | 1 800 1/h  |
| mechanical service life (switching cycles) typical | 1 000 000  |

|  |  |
|--|--|
| reference code according to IEC 81346-2                        | S  |
| Substance Prohibitance (Date)                                  | 10/01/2014   |
| <b>Ambient conditions</b>                                      |  |
| <b>ambient temperature</b>                                     |  |
| • during operation   | -25 ... +70 °C   |
| • during storage   | -40 ... +80 °C   |
| environmental category during operation according to IEC 60721 | 3M6, 3S2, 3B2, 3C3, 3K6 (with relative air humidity of 10 ... 95%) |
| <b>Installation/ mounting/ dimensions</b>                      |  |
| height   | 29.5 mm  |
| width  | 29.5 mm  |
| shape of the installation opening                              | round  |
| mounting diameter  | 22.3 mm  |
| positive tolerance of installation diameter                    | 0.4 mm   |
| mounting height  | 49.4 mm  |
| installation width   | 29.5 mm  |
| installation depth   | 25.4 mm  |
| <b>Certificates/ approvals</b>                                 |  |
| General Product Approval                                       | Declaration of Conformity  |



[Confirmation](#)



EG-Konf.

|   |   |
|---|---|
| <b>Test Certificates</b>  | <b>Marine / Shipping</b>  |
| <a href="#">Type Test Certificates/Test Report</a>                                    | <a href="#">Special Test Certificate</a>  |
|    |    |
| ABS   | LRS   |
|  |  |
| PRS   | RINA  |
| <b>Marine / Shipping</b>  | <b>other</b>  |



[Confirmation](#)

[Environmental Confirmations](#)

**Further information**

Information- and Downloadcenter (Catalogs, Brochures,...)

<https://www.siemens.com/ic10>

Industry Mall (Online ordering system)

<https://mall.industry.siemens.com/mall/en/en/Catalog/product?mlfb=3SU1000-4BP31-0AA0>

Cax online generator

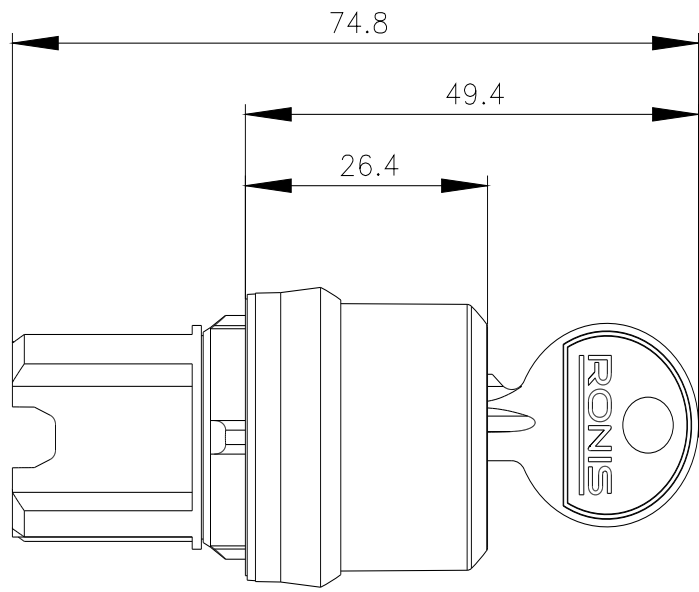
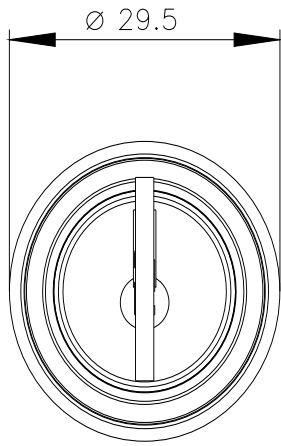
<http://support.automation.siemens.com/WW/CAXorder/default.aspx?lang=en&mlfb=3SU1000-4BP31-0AA0>

Service&Support (Manuals, Certificates, Characteristics, FAQs,...)

<https://support.industry.siemens.com/cs/ww/en/ps/3SU1000-4BP31-0AA0>

Image database (product images, 2D dimension drawings, 3D models, device circuit diagrams, EPLAN macros, ...)

[http://www.automation.siemens.com/bilddb/cax\\_de.aspx?mlfb=3SU1000-4BP31-0AA0&lang=en](http://www.automation.siemens.com/bilddb/cax_de.aspx?mlfb=3SU1000-4BP31-0AA0&lang=en)



last modified:

1/26/2022 