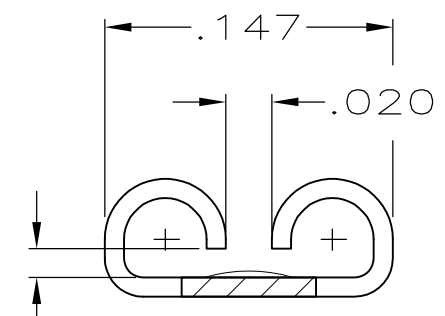
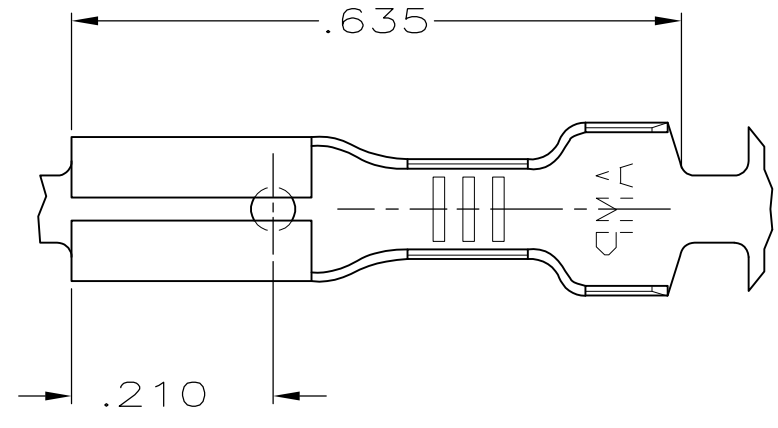


THIS DRAWING IS UNPUBLISHED. RELEASED FOR PUBLICATION
 © COPYRIGHT - By - ALL RIGHTS RESERVED.

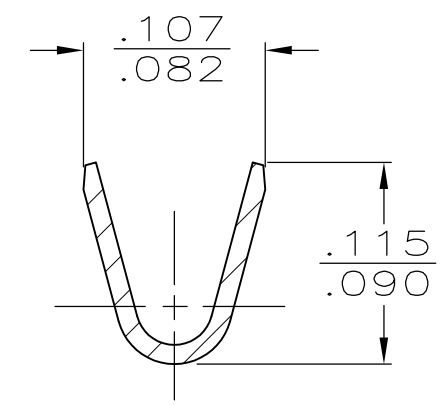
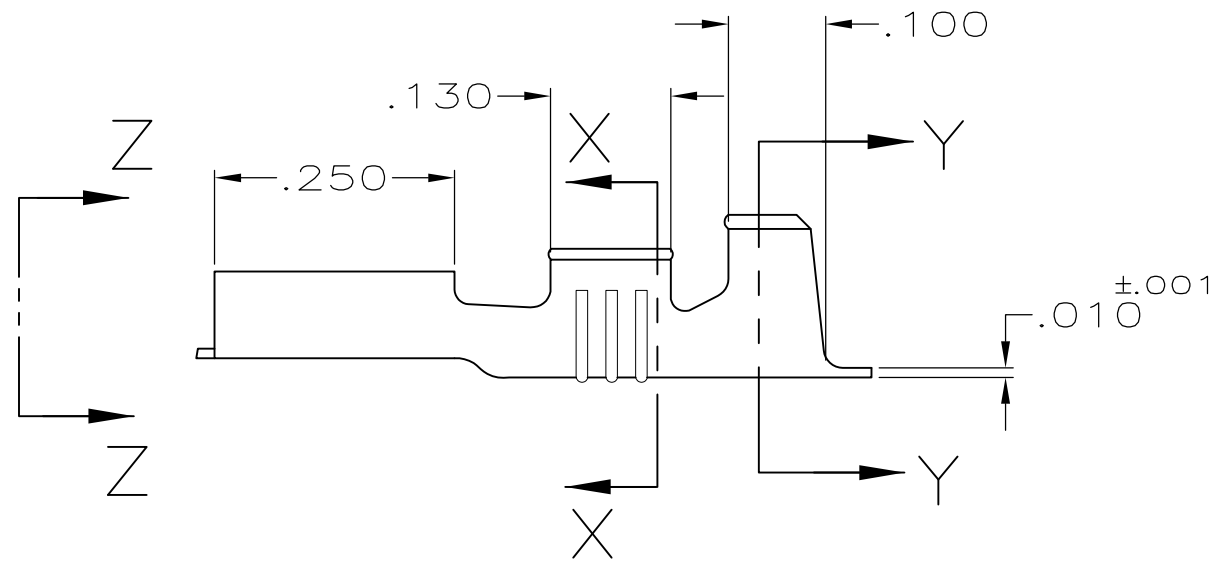
LOC	DIST	REVISIONS					
AF	50	P	LTR	DESCRIPTION	DATE	DWN	APVD
		D		REVISED PER ECR-12-013459	29NOV2012	KH	PD



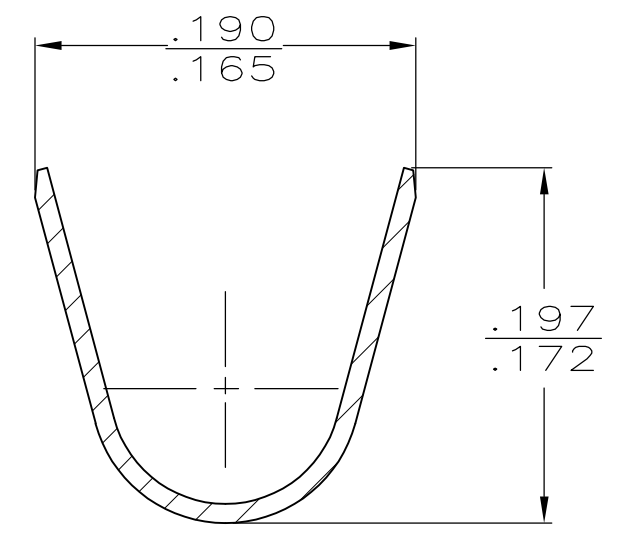
FITS .110 SERIES FASTON TABS

VIEW Z-Z
SCALE 10:1

1 CONTINUOUS STRIP ON REELS



SECTION X-X
SCALE 10:1



SECTION Y-Y
SCALE 10:1

.120-.140	22-18 AWG	.025	61158-1
INSUL RANGE	WIRE SIZE	MATING TAB THK ±.001	PART NO

THIS DRAWING IS A CONTROLLED DOCUMENT.		DWN JR RUTH 12/20/90	TE Connectivity	
DIMENSIONS: INCHES 		CHK MS FEHER 12/20/90		
TOLERANCES UNLESS OTHERWISE SPECIFIED: 0 PLC ± - 1 PLC ± - 2 PLC ± - 3 PLC ± .015 4 PLC ± - ANGLES ± -		APVD C MEYERS 12/21/90	NAME RECEPTACLE, FASTON, .110 SERIES	
MATERIAL BRASS	FINISH PRE-TIN	PRODUCT SPEC -	APPLICATION SPEC -	RESTRICTED TO -
		WEIGHT -	SIZE A3	CAGE CODE 00779
		DRAWING NO C-61158		REV D
		CUSTOMER DRAWING		SCALE 5:1
		SHEET 1 OF 1		