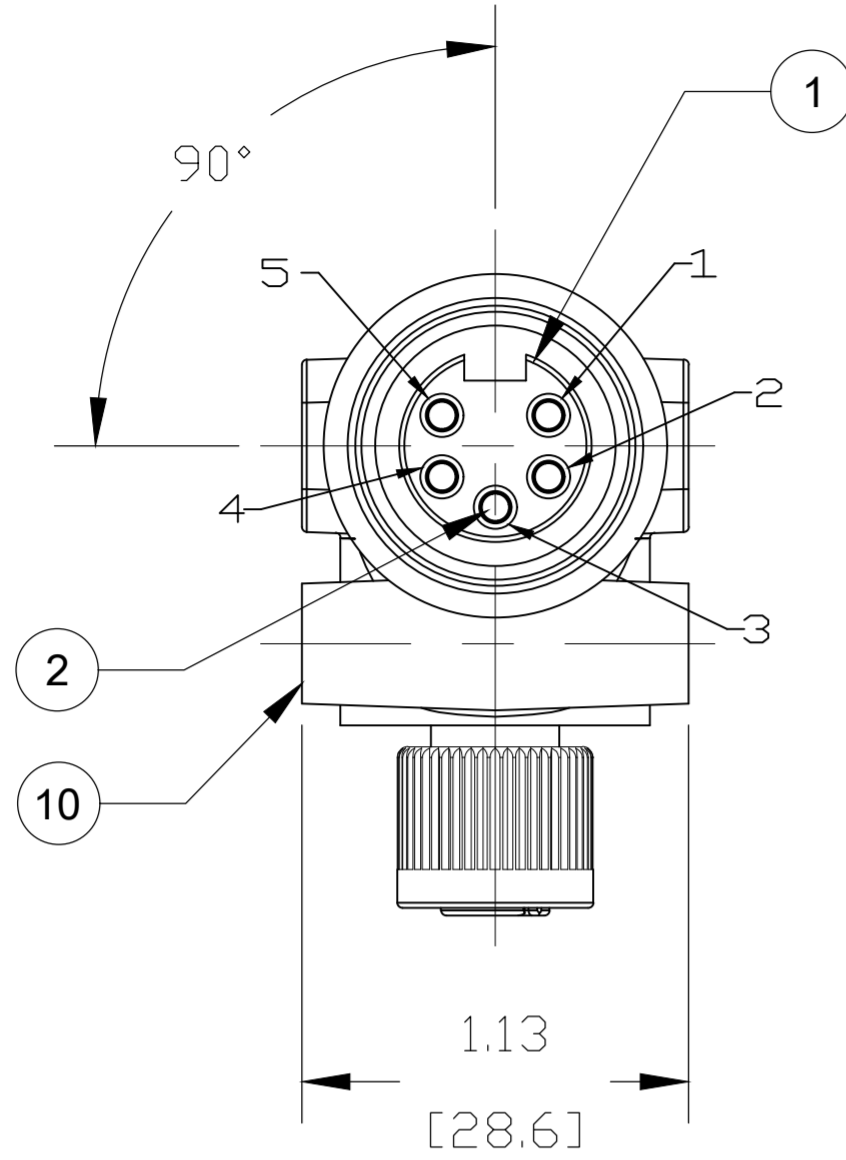
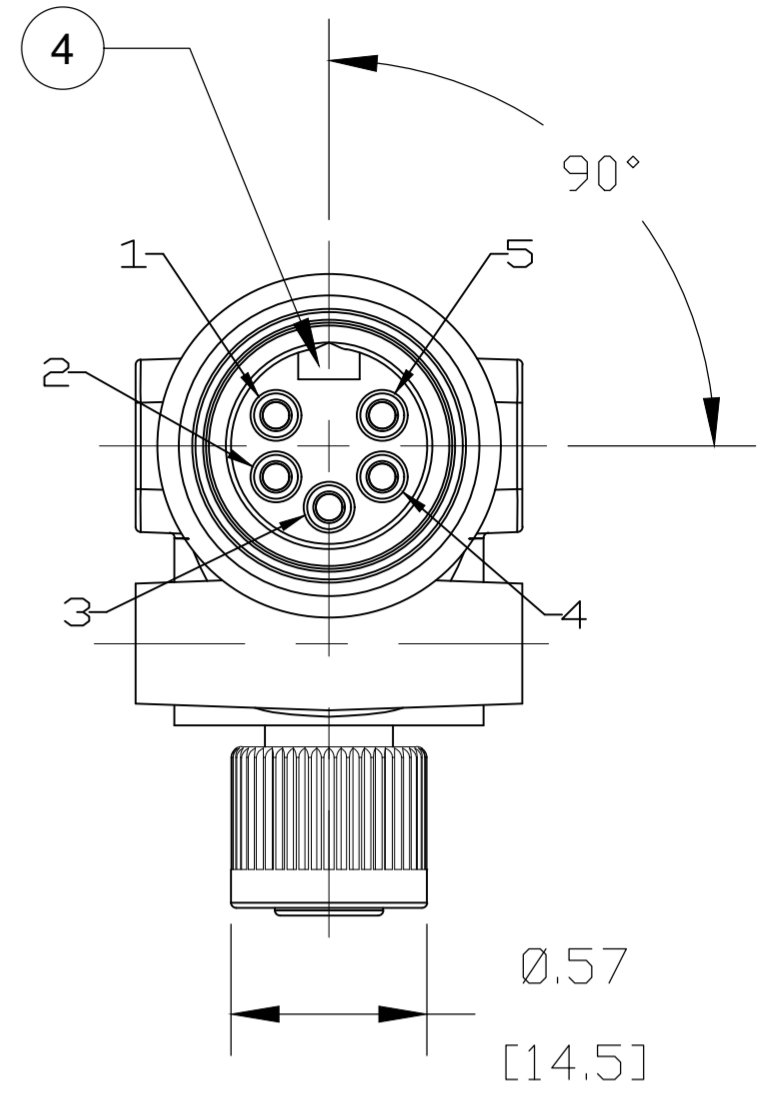
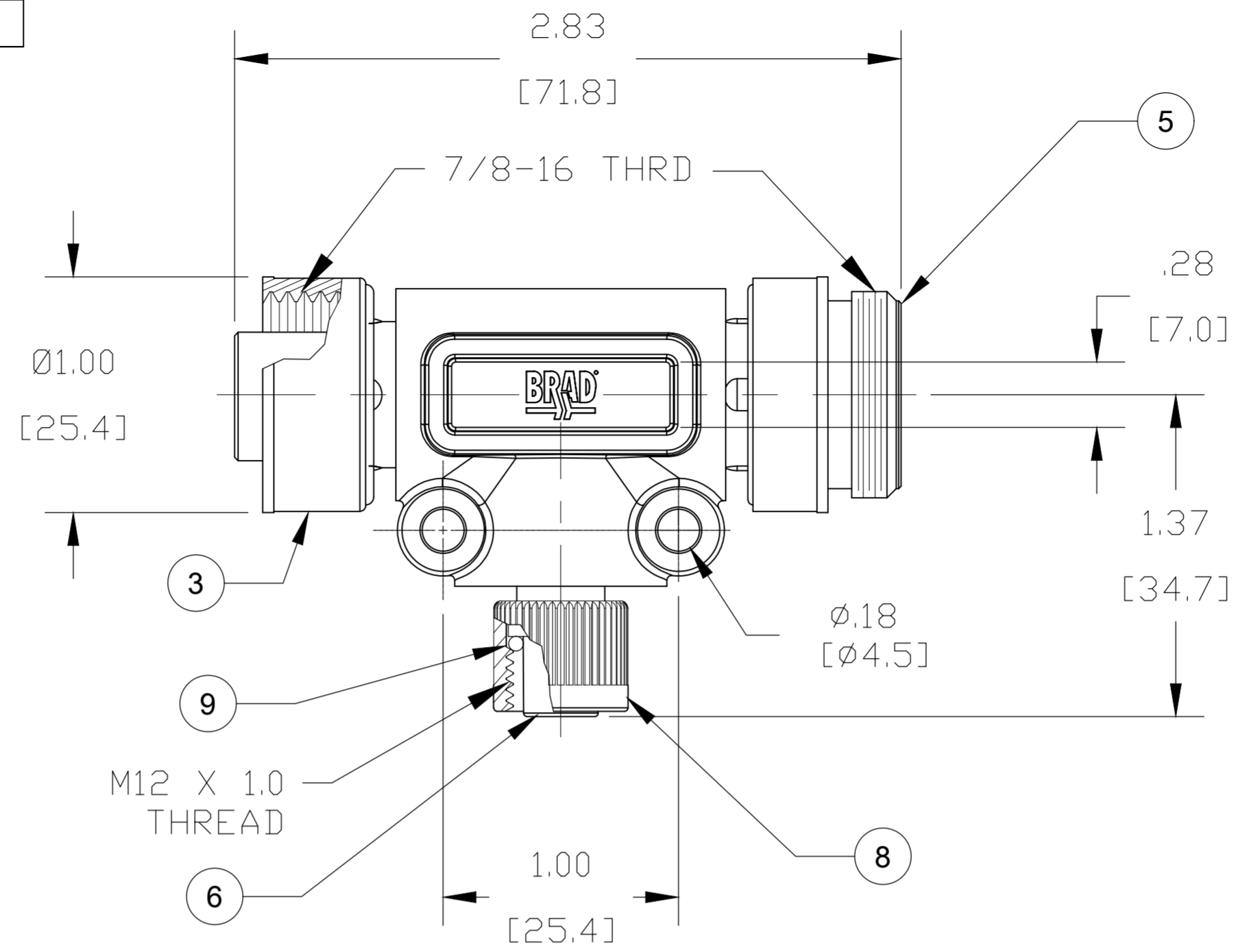


| MOLEX P/N  | ENGINEERING NO. | COUPLING NUT MATERIAL & FINISH |
|------------|-----------------|--------------------------------|
| 1300390341 | DND3020         | DIE CAST ZINC, BLACK E-COAT    |
| 1300390342 | DND3020SS       | ST. STEEL, PASSIVATED          |

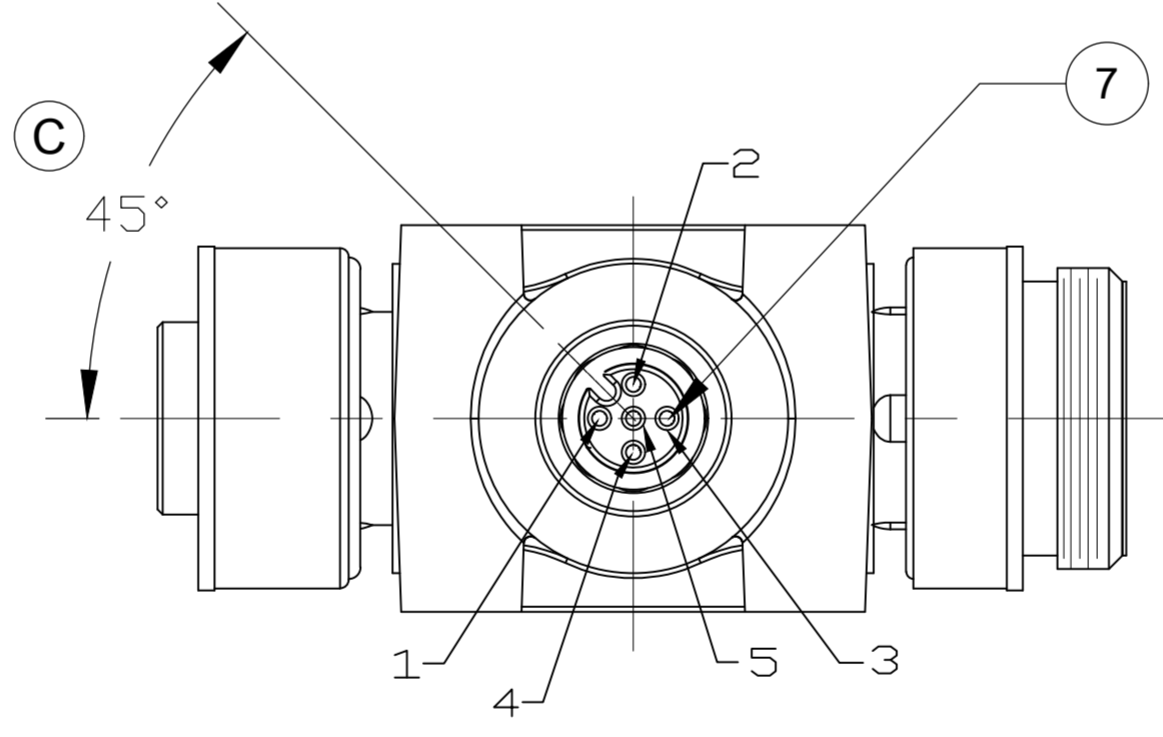


FEMALE FACE VIEW

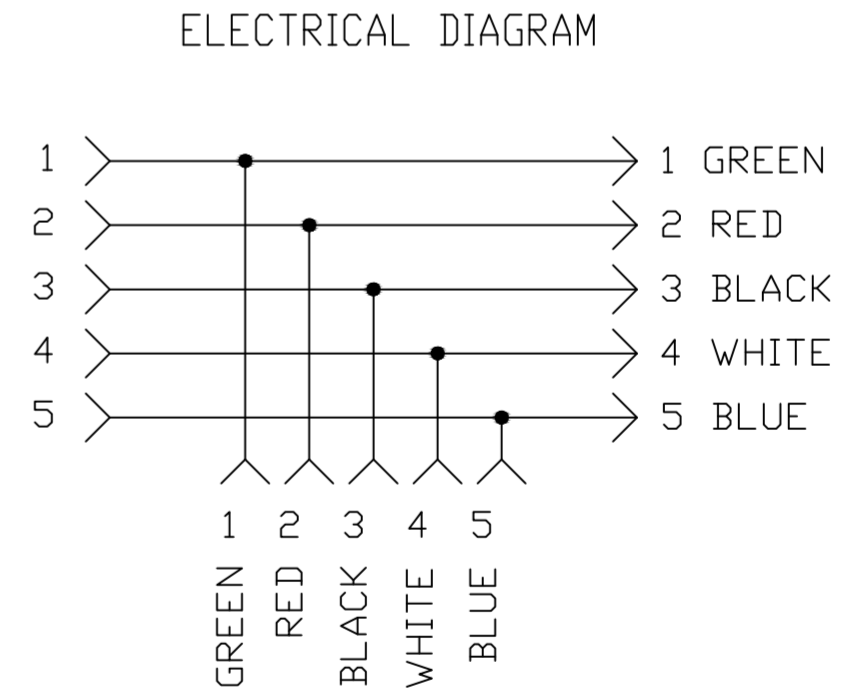


MALE FACE VIEW

- NOTES:**
1. MATERIAL: AS NOTED
  2. FINISH: AS NOTED
  3. ELECTRICAL:  
VOLTAGE: 250VDC  
CURRENT: ((TRUNK) 10A  
CURRENT (DROP): 4A
  4. TEMP RATING: -25°C TO +105°C
  5. PROTECTION: IP67 (WHEN MATED)
  6. COUPLING THREADS: AS NOTED
  7. UL RECOGNIZED FILE: E152210  
CSA CERTIFIED FILE: LR6837
  8. ALL DIMS ARE FOR REFERENCE UNLESS TOLERANCED OR NOTED OTHERWISE



FEMALE FACE VIEW (MIC DROP)



ELECTRICAL DIAGRAM

| ITEM | DESCRIPTION         | MATERIAL      | FINISH        |
|------|---------------------|---------------|---------------|
| 10   | OVERMOLD            | TPC           | GRAY          |
| 9    | O-RING              | NITRILE       | RED           |
| 8    | MIC FEMALE COUPLING | SEE P/N CHART | SEE P/N CHART |
| 7    | CONTACT SOCKET      | COPPER ALLOY  | GOLD PLATED   |
| 6    | MIC FEM INSERT 5P   | NYLON         | BLACK         |
| 5    | MC COUPLING, MALE   | SEE P/N CHART | SEE P/N CHART |
| 4    | MC MALE INSERT 5P   | TPC           | GRAY          |
| 3    | MC COUPLING, FEMALE | SEE P/N CHART | SEE P/N CHART |
| 2    | CONTACT SKT/PIN     | COPPER ALLOY  | GOLD PLATED   |
| 1    | MC FEMALE INSERT 5P | TPC           | GRAY          |

|                    |   |       |   |
|--------------------|---|-------|---|
| FUNCTIONAL SYMBOLS | THIS DRAWING CONTAINS INFORMATION THAT IS PROPRIETARY TO MOLEX ELECTRONIC TECHNOLOGIES, LLC AND SHOULD NOT BE USED WITHOUT WRITTEN PERMISSION |       |   |
|                    | DIMENSION UNITS   | SCALE | CURRENT REV DESC: CHANGED MIC KEY ORIENTATION |
| E=0                | INCH/MM   | 1:1   | EC NO: 650547                                 |
|                    | GENERAL TOLERANCES (UNLESS SPECIFIED)   |       |   |
| E=0                | 4 PLACES ±----  | ±---- | CHK'D: ALEON01 2020/12/07                     |
|                    | 3 PLACES ±----  | ±---- | APPR: BWOODMAN 2020/12/07                     |
| E=0                | 2 PLACES ±----  | ±---- | INITIAL REVISION:                             |
|                    | 1 PLACE ±----   | ±---- |   |
| DIVISIONAL SYMBOLS | 0 PLACES ±----  | ±---- | APPR: BWOODMAN 2020/05/14                     |
|                    | ANGULAR TOL ± ---- °  |       | THIRD ANGLE PROJECTION                        |
|                    | DRAFT WHERE APPLICABLE MUST REMAIN WITHIN DIMENSIONS  |       | DRAWING C-SIZE                                |
|                    |   |       | SERIES 130039                                 |
|                    |   |       | MATERIAL NUMBER SEE P/N CHART                 |
|                    |   |       | CUSTOMER                                      |
|                    |   |       | SHEET NUMBER 1 OF 1                           |

**molex**

MINI-CHANGE 5P TEE WITH MIC DROP  
DEVICE-NET

PRODUCT CUSTOMER DRAWING

DOCUMENT NUMBER: 1300390341  
DOC TYPE: PSD  
DOC PART: 000  
REVISION: C