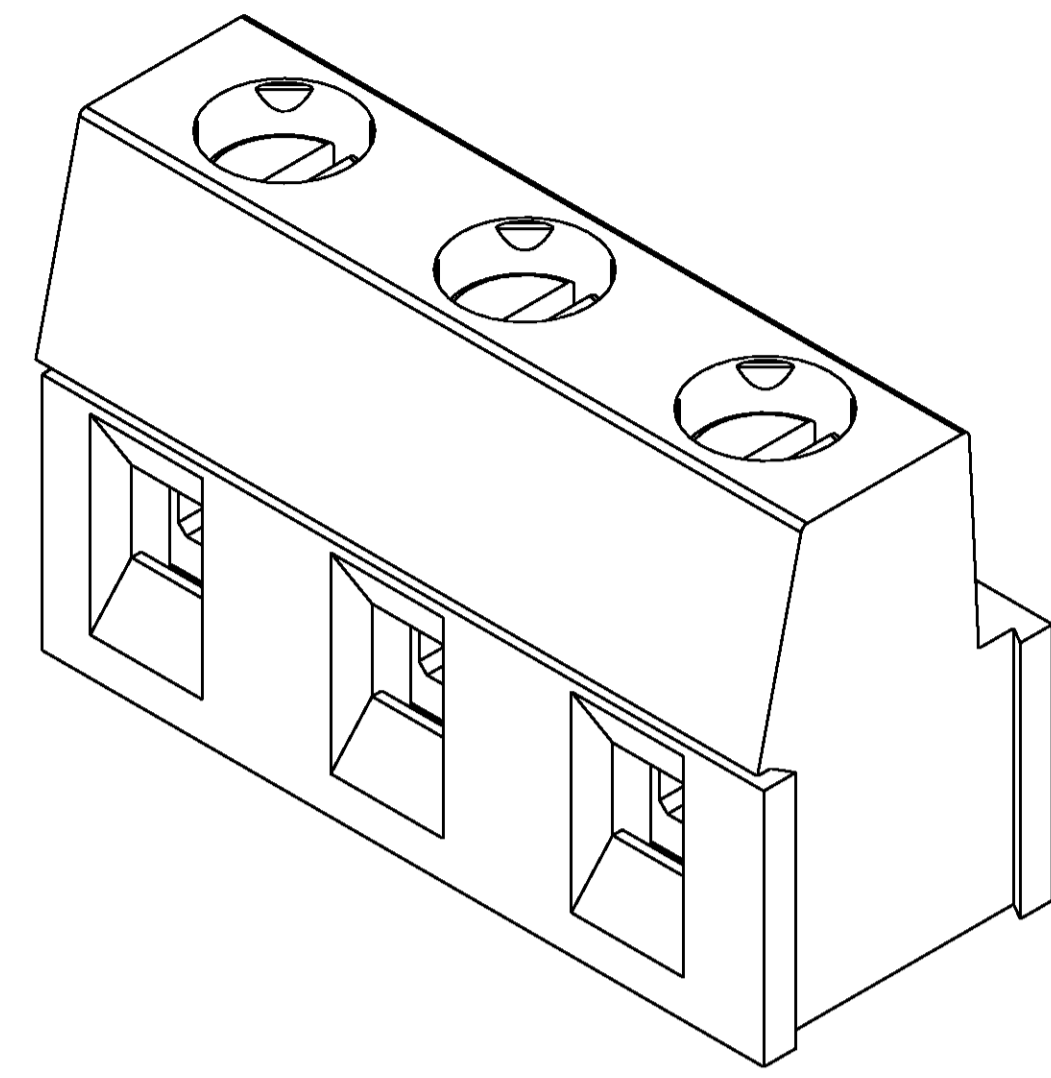
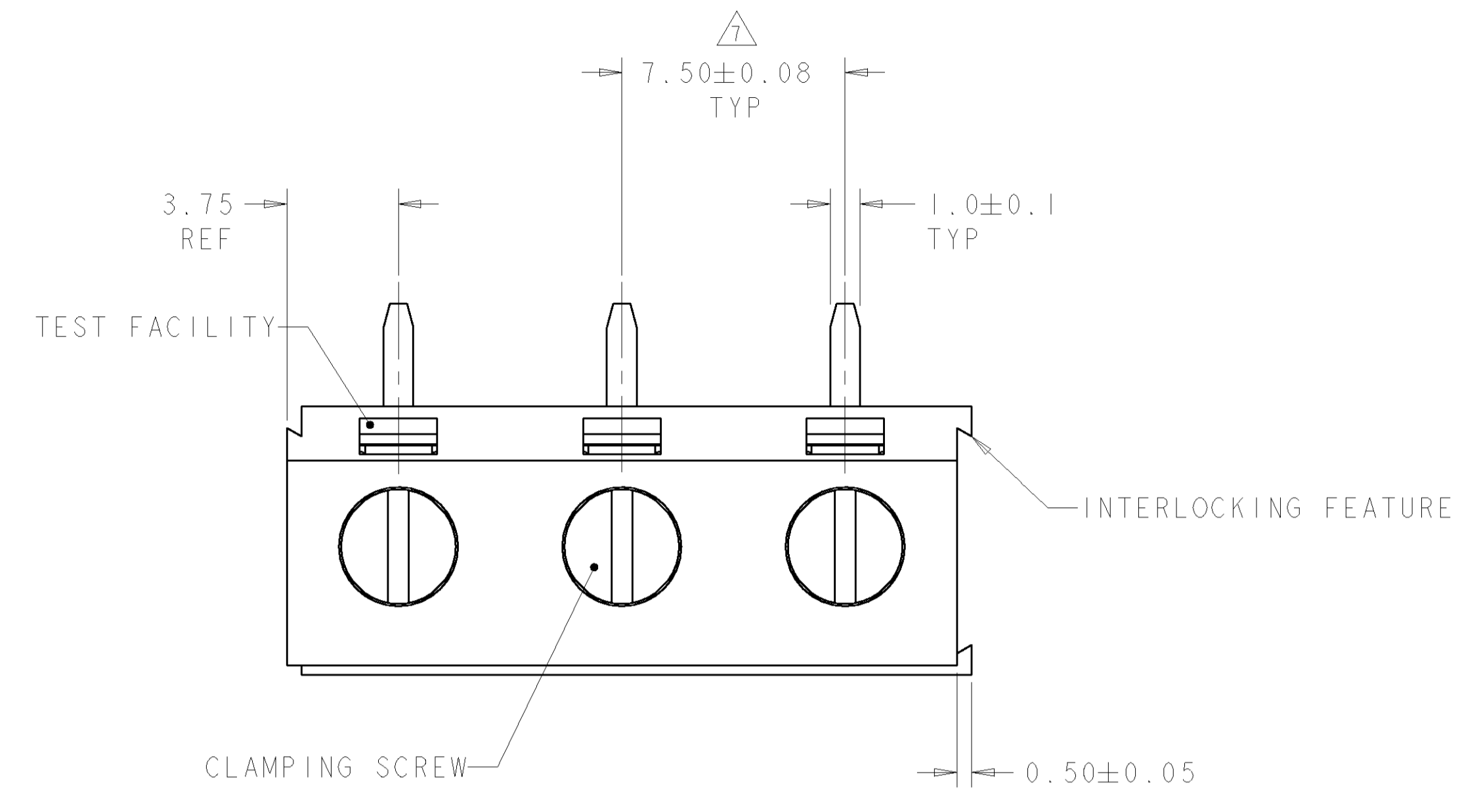
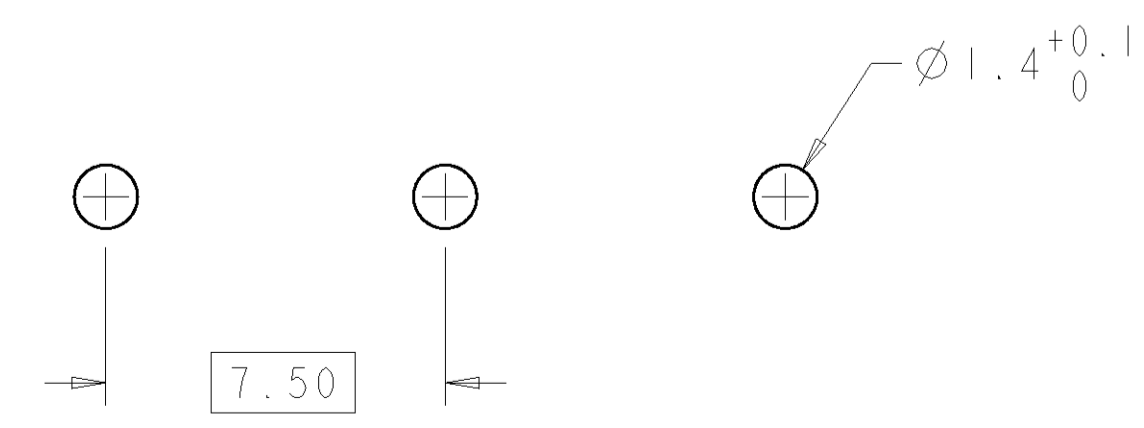
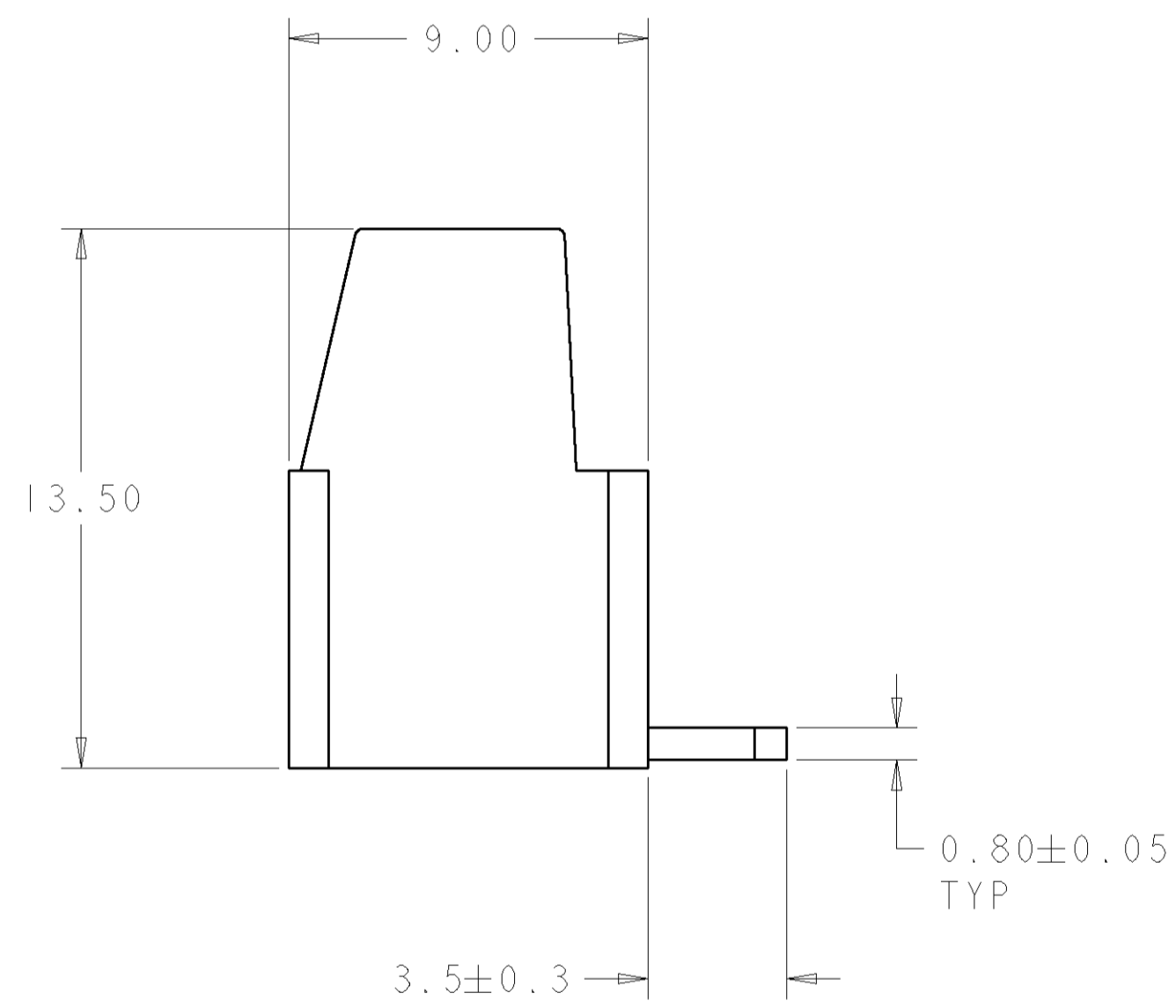
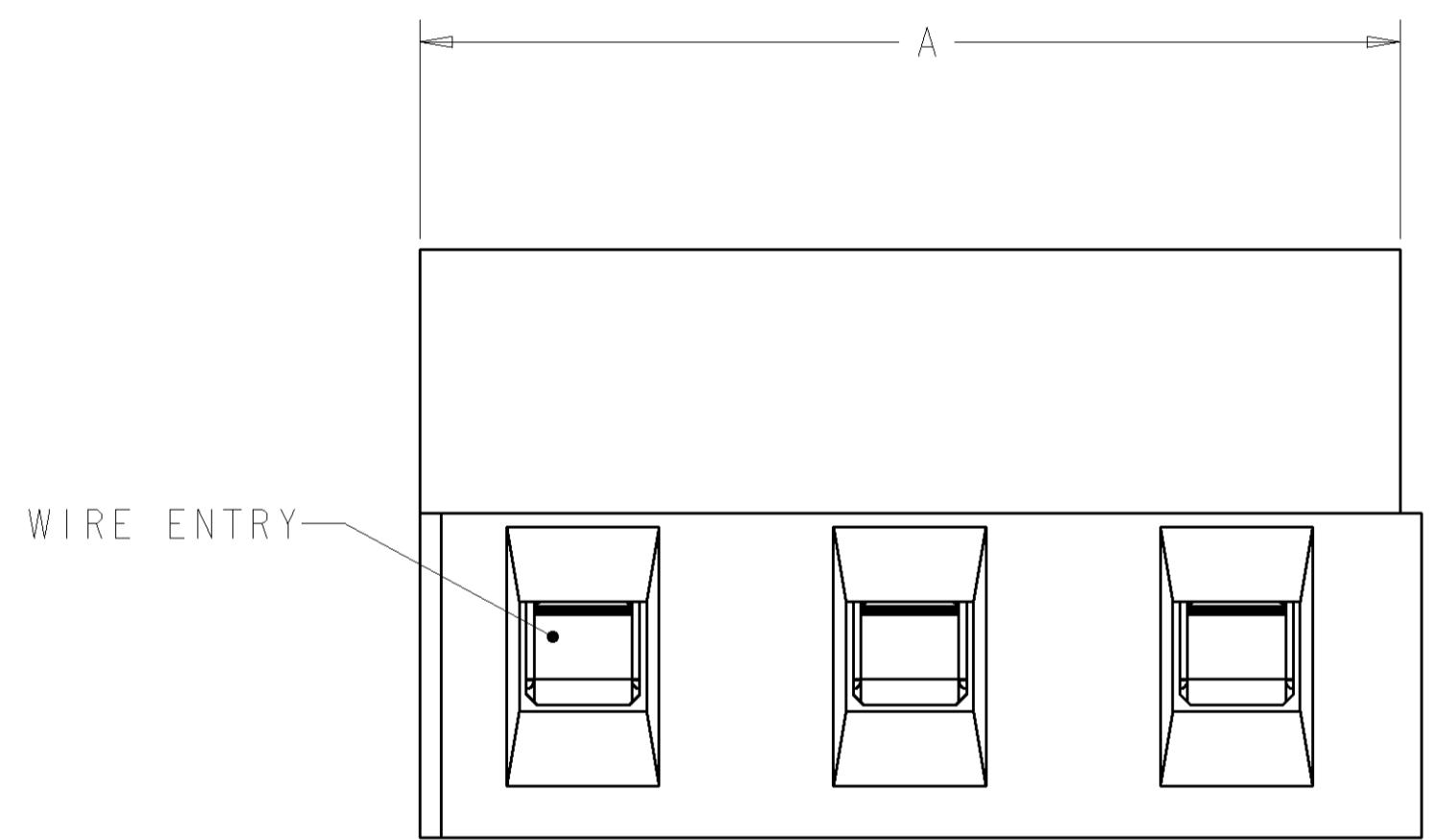


LOC	DIST	REVISIONS					
FT	0	P	LTR	DESCRIPTION	DATE	DWN	APVD
		A		RELEASED	29JUN2001	SW	DB
		B		REVISED EC 063B-0357-01	10JUL2001	SW	DB



796895-3 AS SHOWN

- △ MATERIALS AND FINISH
 HOUSING: PA 6-6, UL 94-V0, COLOR: GREEN.
 CLAMP: BRASS, NICKEL PLATED.
 TERMINAL: BRASS, TIN PLATED.
 CLAMPING SCREW: M3, BRASS, NICKEL PLATED.
- SUITABLE FOR 1,6-2,4mm PC BOARD THICKNESS.
 - END-TO-END STACKABLE W/INTERLOCK WITHOUT LOSS OF CENTERLINE SPACING.
 - WIRE SIZE RANGE: 12-30 AWG.
 - RECOGNIZED UNDER THE COMPONENT PROGRAM OF UNDERWRITERS LABORATORIES INC., FILE N° E60677.
 - IMQ CERTIFICATE WITH SURVEILLANCE IN CONFORMITY WITH IEC 998-1/998-2-1.
- △ NOT CUMULATIVE TOLERANCE.



37.5	5	796895-5
30.0	4	796895-4
22.5	3	796895-3
15.0	2	796895-2
A	NO. OF POSN	PART NUMBER

DIMENSIONS:		TOLERANCES UNLESS OTHERWISE SPECIFIED:		MATERIAL:		FINISH:		WEIGHT:		CUSTOMER DRAWING	
mm		0 PLC	±								
		1 PLC	±0.1								
		2 PLC	±0.25								
		3 PLC	±0.500								
		4 PLC	±0.000								
		ANGLES	±								

DWN	S. WELDON	09JUL2001	BUCHANAN	Tyco Electronics
CHK	D. BIEVENOUR	09JUL2001		Harrisburg, PA 17105-3608
APVD	D. BIEVENOUR	09JUL2001	NAME	TERMINAL BLOCK, PCB MOUNT,
			PRODUCT SPEC	TOP WIRE ENTRY, STACKING,
			APPLICATION SPEC	ALIGNED SCREW AND PIN, 7.5mm PITCH
			SIZE	CAGE CODE
			A1	00779
			SCALE	6:1
			SHEET	1
			OF	1
			REV	B