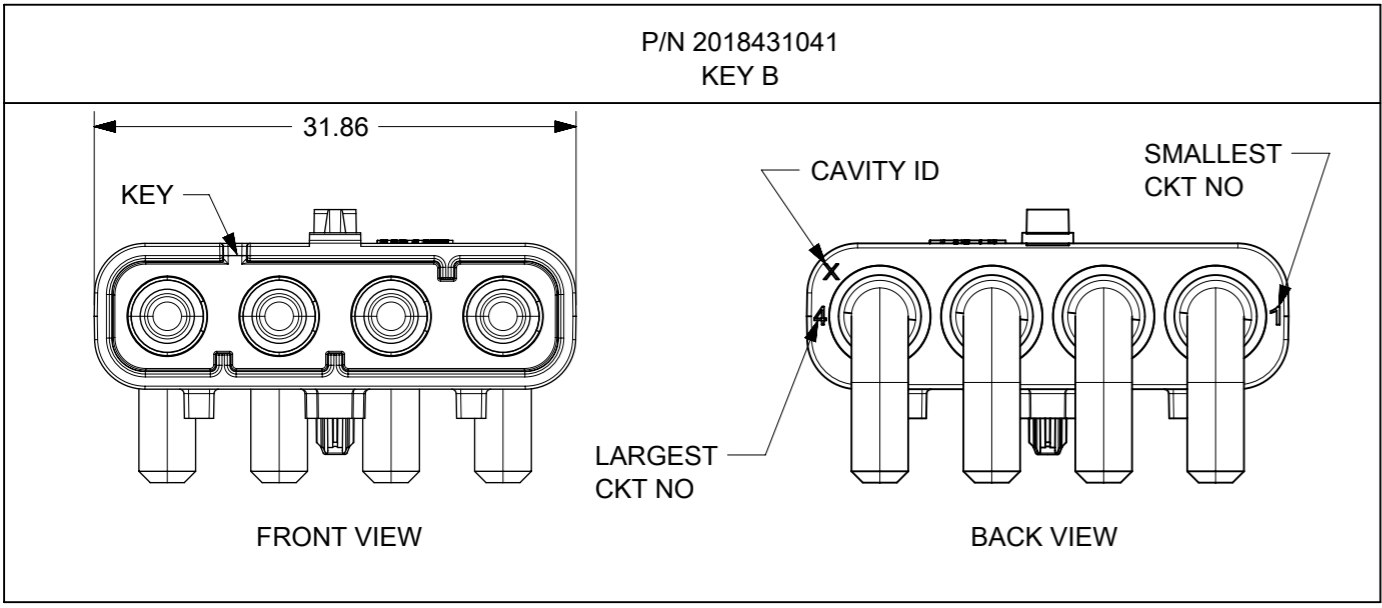
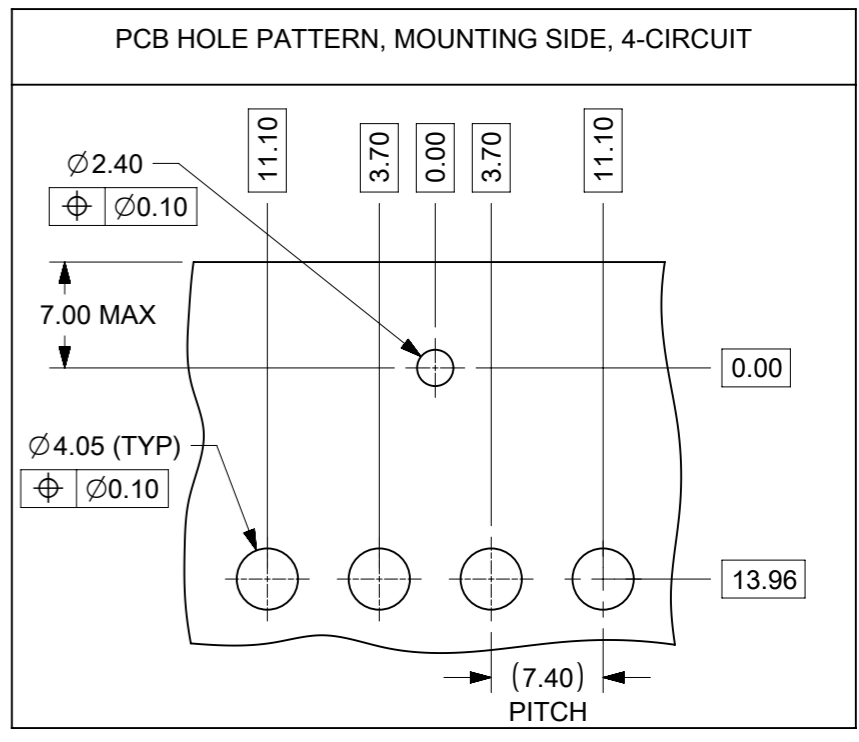
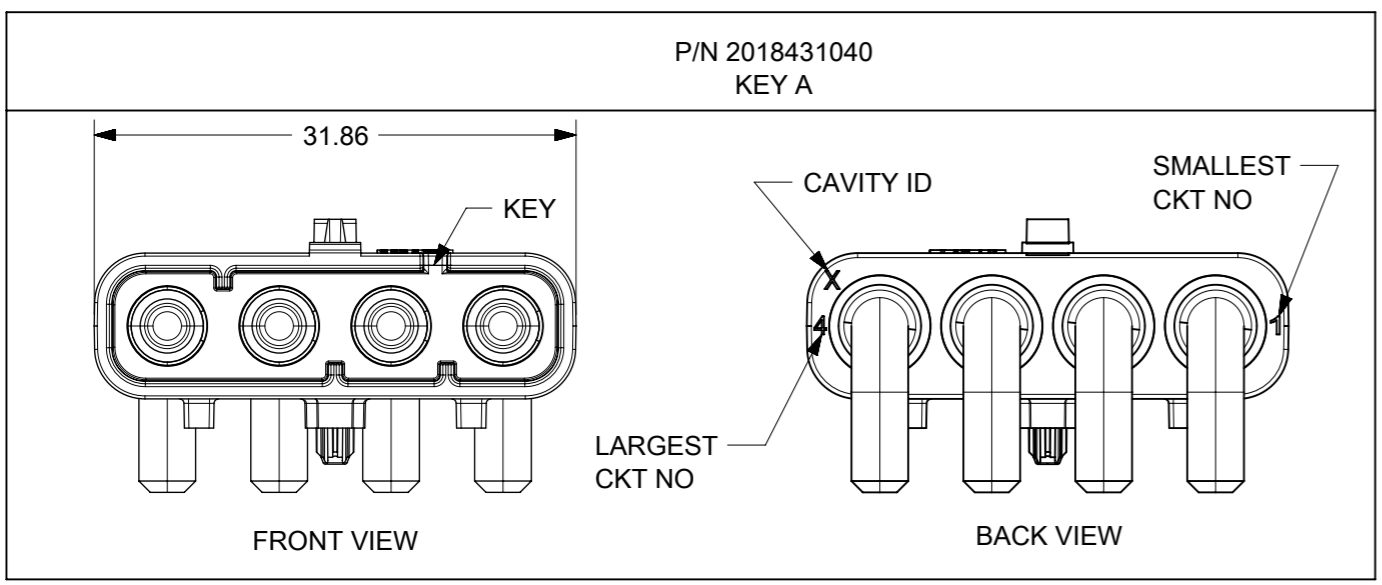
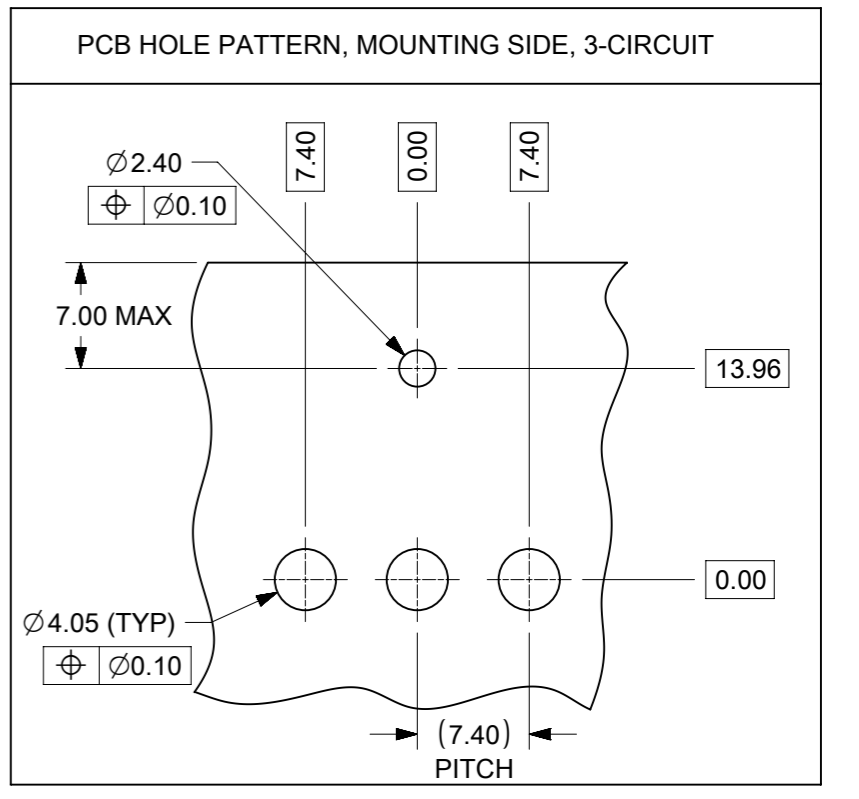
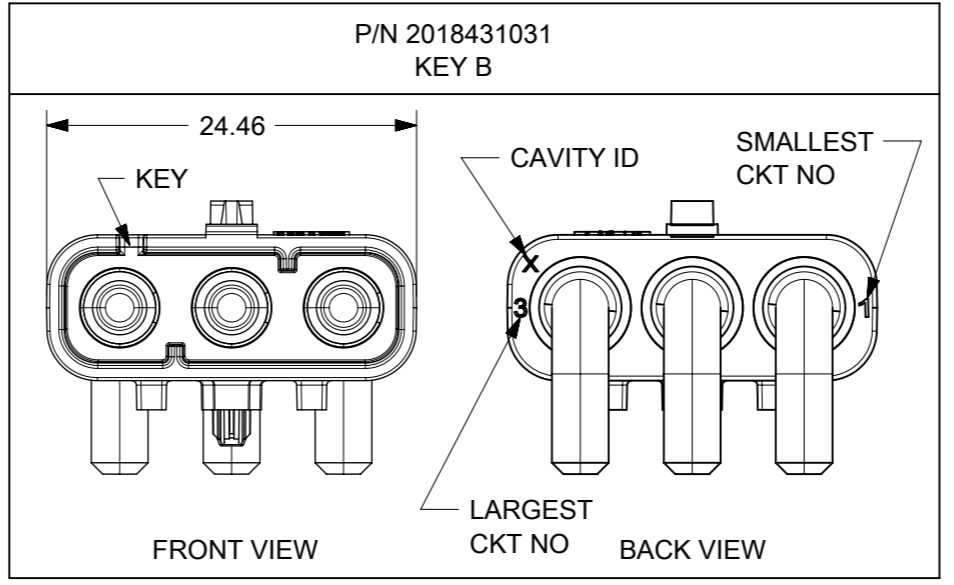
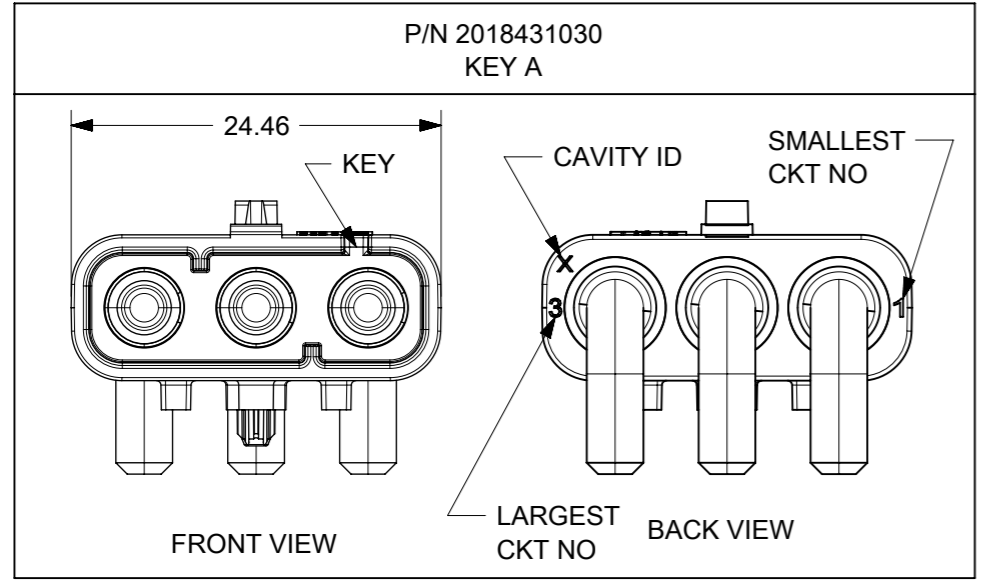


P/N 2018431030  
KEY A

- NOTES:
1. APPLICATION SPECIFICATION SEE: 2018400000-AS
  2. PRODUCT SPECIFICATION SEE: 2018400000-PS
  3. HOUSING MATERIAL: PEI, UL RATED 94V-0: COLOR: SEE TABLE
  4. MATES WITH RECEPTACLE HOUSING SERIES 201841
  5. TERMINAL MATERIAL : Cu ALLOY
  6. PLATING:  
MATING AREA : 0.1µm MIN Au over Ni  
TERMINATION AREA: 5µm MIN Sn OVER Ni
  7. SOLDERABILITY PER SMES-152
  8. PACKAGING SPECIFICATION: 2018420000-PK
  9. COSMETIC SPECIFICATION PS-45499-002 (CLASS B)

THIS DRAWING CONTAINS INFORMATION THAT IS PROPRIETARY TO MOLEX ELECTRONIC TECHNOLOGIES, LLC AND SHOULD NOT BE USED WITHOUT WRITTEN PERMISSION										
DIMENSION UNITS	SCALE	CURRENT REV DESC: ADDED BACK VIEWS.								
mm	2:1									
GENERAL TOLERANCES (UNLESS SPECIFIED)							MULTICAT RA HDR ASSY WTB IN-LINE			
ANGULAR TOL	±						PRODUCT CUSTOMER DRAWING			
4 PLACES	±	EC NO: 620631					DOCUMENT NUMBER			
3 PLACES	±	DRWN: MKP 2019/06/25					2018430000-SD			
2 PLACES	±	CHK'D: NMANE02 2019/07/15					DOC TYPE			
1 PLACE	±	APPR: MRAMAKRISHNA 2019/07/15					PSD			
0 PLACES	±	INITIAL REVISION:					DOC PART			
DRAFT WHERE APPLICABLE MUST REMAIN WITHIN DIMENSIONS		THIRD ANGLE PROJECTION		DRAWING	SERIES	MATERIAL NUMBER	CUSTOMER	REVISION		
				A3-SIZE	201843	SEE SHEET 2	GENERAL MARKET	000	C	
									1 OF 2	

NO.	ASSEMBLY		HOUSING
	PART NUMBER	DESCRIPTION	COLOR
1	2018431030	MULTICAT RA HDR ASSY 1X3 KEY A	BLACK
2	2018431031	MULTICAT RA HDR ASSY 1X3 KEY B	GRAY
3	2018431040	MULTICAT RA HDR ASSY 1X4 KEY A	BLACK
4	2018431041	MULTICAT RA HDR ASSY 1X4 KEY B	GRAY



THIS DRAWING CONTAINS INFORMATION THAT IS PROPRIETARY TO MOLEX ELECTRONIC TECHNOLOGIES, LLC AND SHOULD NOT BE USED WITHOUT WRITTEN PERMISSION		CURRENT REV DESC: ADDED BACK VIEWS.		<b>molex</b>	
DIMENSION UNITS	SCALE	EC NO: 620631			
mm	2:1	DRWN: MKP 2019/06/25		WTB IN-LINE	
GENERAL TOLERANCES (UNLESS SPECIFIED)		CHK'D: NMANE02 2019/07/15		PRODUCT CUSTOMER DRAWING	
ANGULAR TOL	± °	APPR: MRAMAKRISHNA 2019/07/15		DOCUMENT NUMBER	
4 PLACES	±	INITIAL REVISION:		2018430000-SD	
3 PLACES	± 0.05	DRWN: RMV02 2016/11/22		DOC TYPE	
2 PLACES	± 0.1	APPR: KPRASAD 2017/02/08		PSD	
1 PLACE	± 0.2	THIRD ANGLE PROJECTION		DOC PART	
0 PLACES	±	DRAWING		000	
DRAFT WHERE APPLICABLE MUST REMAIN WITHIN DIMENSIONS		SERIES		REVISION	
		A3-SIZE		C	
		201843		SHEET NUMBER	
		SEE TABLE		2 OF 2	
		GENERAL MARKET			