

THIS DRAWING IS UNPUBLISHED. RELEASED FOR PUBLICATION 20  
 © COPYRIGHT 20 BY - ALL RIGHTS RESERVED.

REVISIONS					
P	LTR	DESCRIPTION	DATE	DWN	APVD
A2		ECR-16-010931	02AUG2016	L.Z	X.X
B		ECR-19-009136	30JUL2019	C.D	C.W
B1		ECR-19-019842	23DEC2019	G.W	C.W

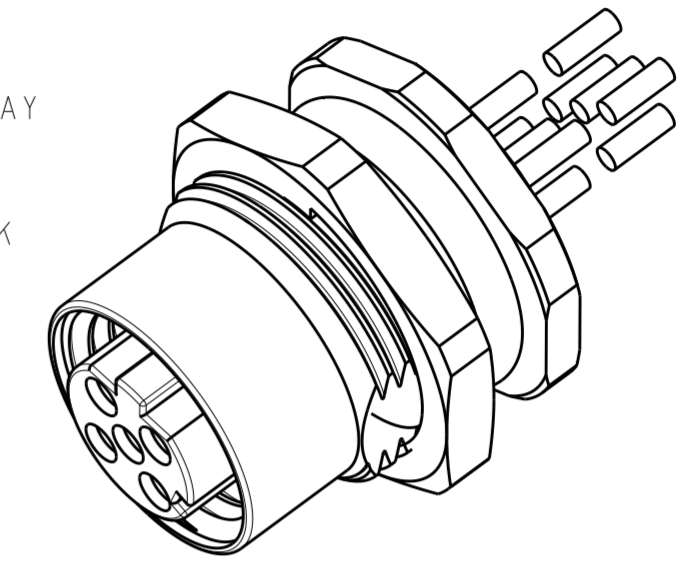
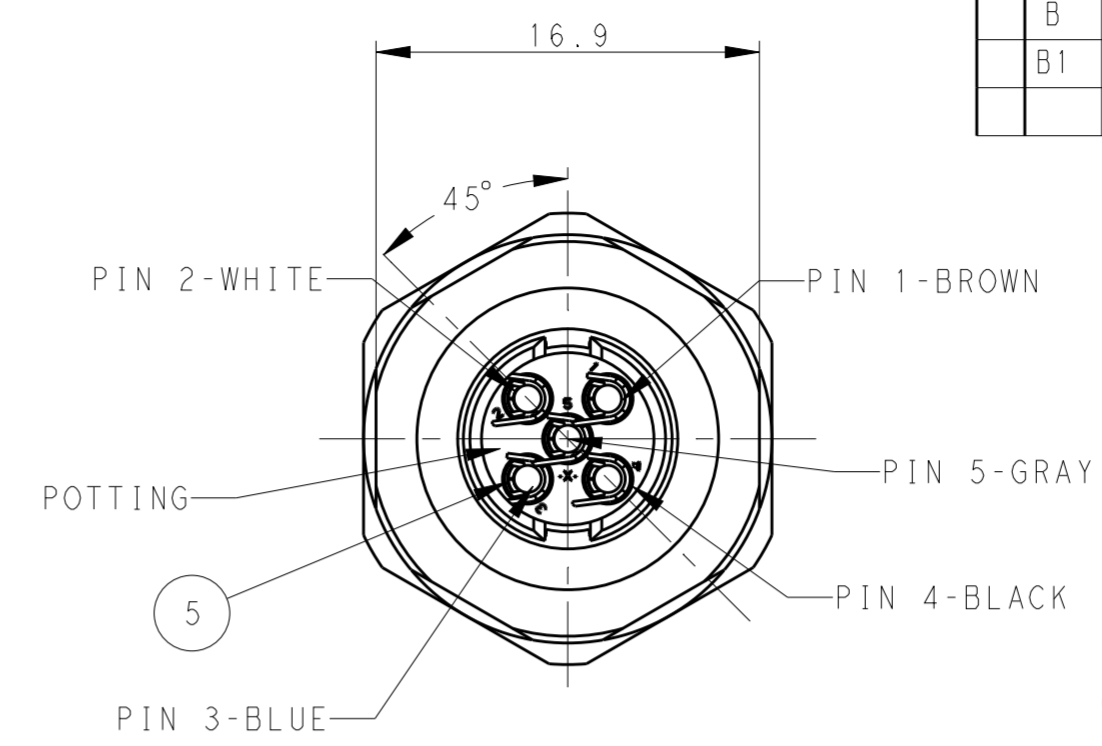
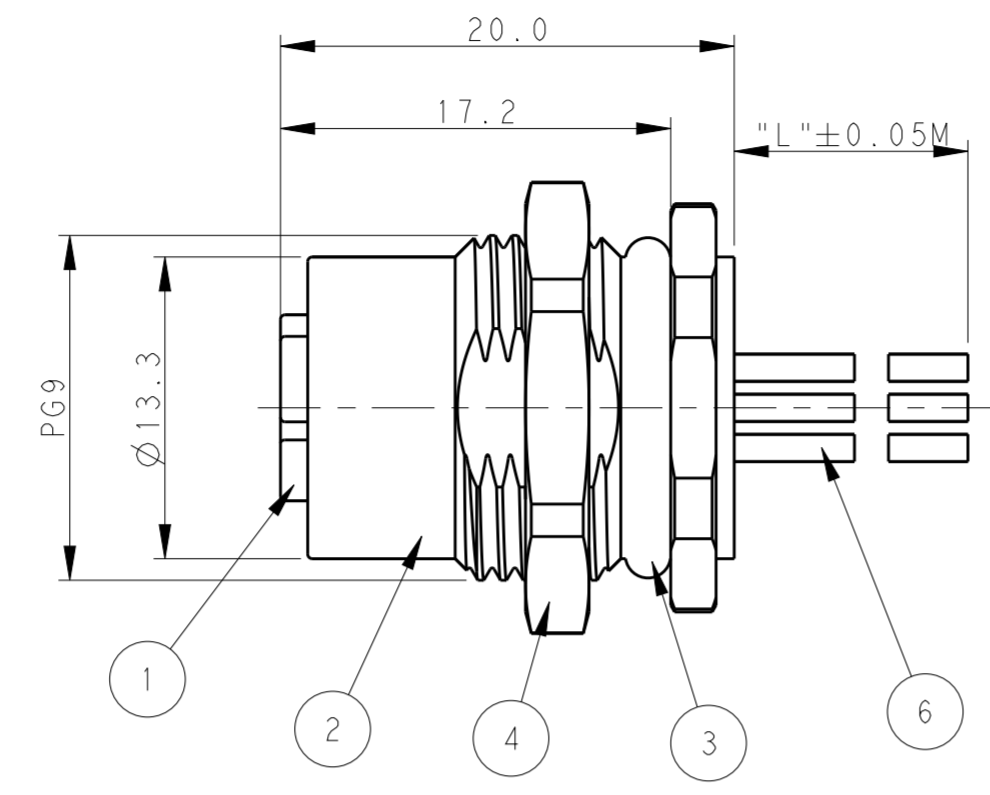
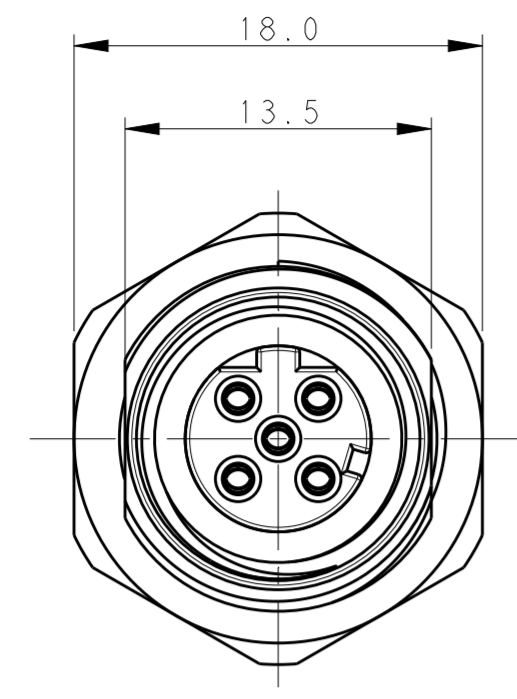


TABLE 1

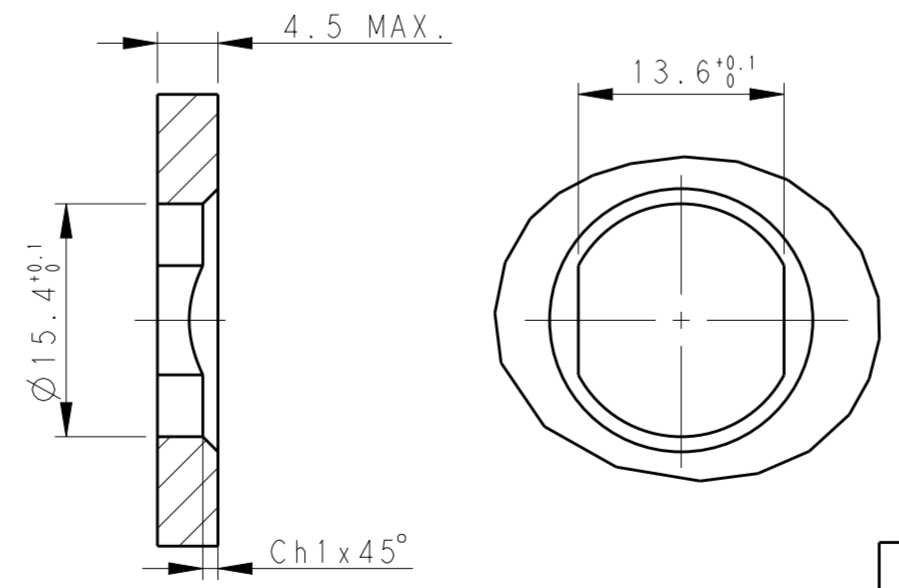
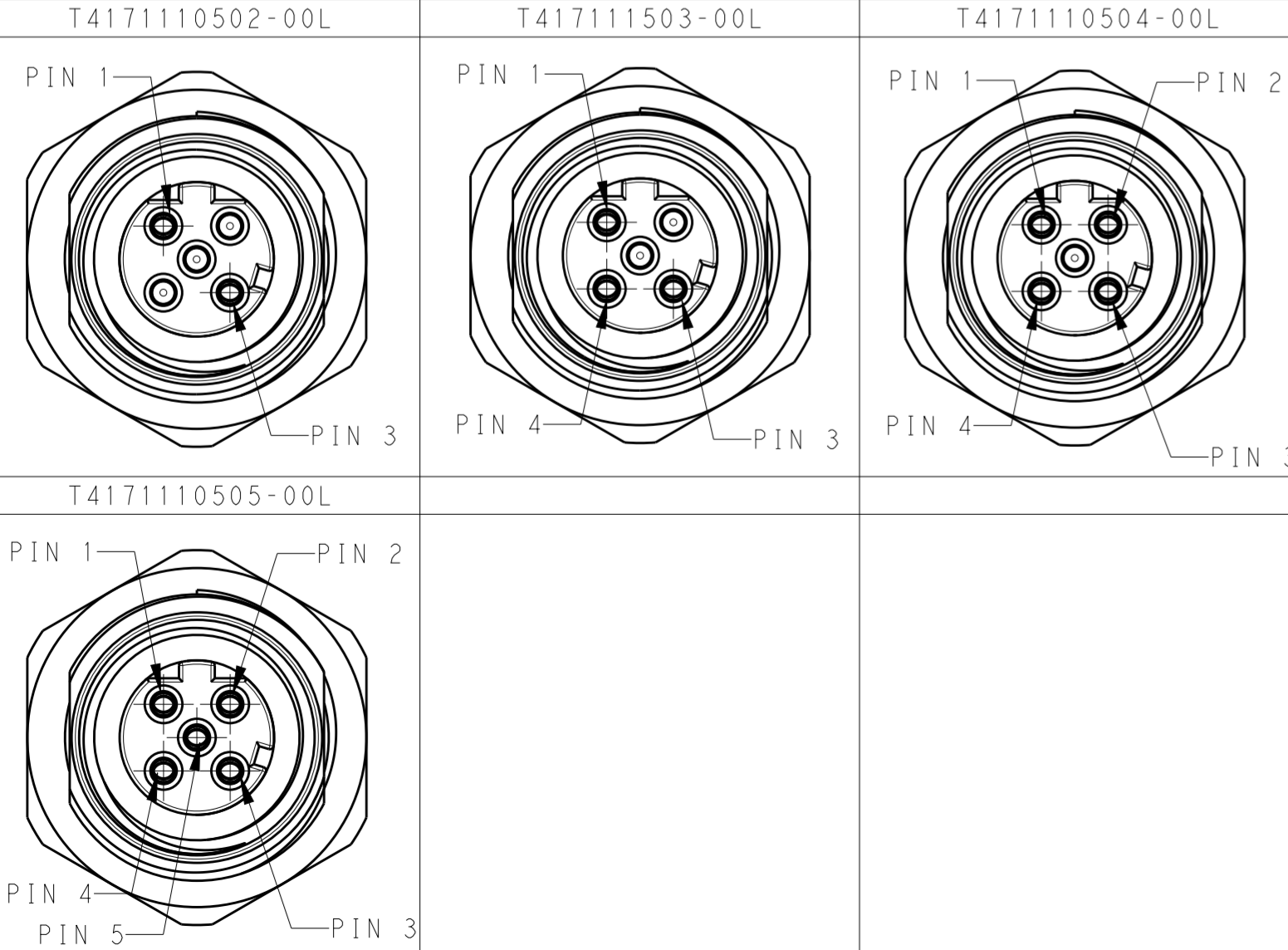
TECHNICAL DATA	T4171110502-00L	T4171110503-00L	T4171110504-00L	T4171110505-00L
RATED VOLTAGE	250V	250V	250V	60V
RATED CURRENT	4A	4A	4A	4A
POLLUTION DEGREE	3	3	3	3
OVERVOLTAGE CATEGORY	II	II	II	II
MATERIAL GROUP	II	II	II	II
CONTACT RESISTANCE	<=10mΩ	<=10mΩ	<=10mΩ	<=10mΩ
INSULATION RESISTANCE	>100MΩ	>100MΩ	>100MΩ	>100MΩ
DEGREE OF PROTECTION	IP67	IP67	IP67	IP67
OPERATION TEMPERATURE	-40~85°C	-40~85°C	-40~85°C	-40~85°C

NOTE:  
 1. TECHNICAL DATA: SEE TABLE 1  
 2. PRODUCT COMPLIES WITH IEC61076-2-101  
 3. RECOMMENDED MOUNT PANEL SEE DETAIL  
 4. CABLE LENGTH SEE TABLE 2

注释:  
 1: 技术参数, 见表1  
 2: 产品符合标准 IEC61076-2-101  
 3: 推荐开孔尺寸详见如图所示  
 4: 线长度见表2

CABLE CHARACTERISTIC	CABLE LENGTH "L"	DESCRIPTION	POS	TABLE 2 PN
WIRES: 0.34MM <sup>2</sup> (22AWG) WIRE PN AND COLOR: 1(BR)/2(WH)/3(BL)/4(BK)/5(GR)	-001: 0.2M -002: 0.5M -003: 1.0M -004: 1.5M -005: 3.0M -006: 5.0M -007: 7.0M -008: 10.0M	RPC-M12D-FF-5CON-PG9-**LAU	5	T4171110505-00L
		RPC-M12D-FF-4CON-PG9-**LAU	4	T4171110504-00L
		RPC-M12D-FF-3CON-PG9-**LAU	3	T4171110503-00L
		RPC-M12D-FF-2CON-PG9-**LAU	2	T4171110502-00L

PIN ARRANGEMENT D-CODE



RECOMMENDED PANEL CUTOUT

COMMENT	MATERIAL	DESCRIPTION	ITEM
-	-	CABLE	6 2 3 4 5
FLASH GOLD	COPPER ALLOY	CONTACT	5 2 3 4 5
-	COPPER ALLOY	METAL NUT	4 1 1 1 1
BLACK	RUBBER	O-RING	3 1 1 1 1
-	COPPER ALLOY	M12, MALE, METAL BODY	2 1 1 1 1
BLACK	NYLON	M12, MALE HSG, D CODE, 5PINS	1 1 1 1 1

THIS DRAWING IS A CONTROLLED DOCUMENT.

DWN: BO GAO 30MAR2016  
 CHK: KOBBY ZHAO 30MAR2016  
 APVD: XIANG XU 30MAR2016

TE Connectivity

NAME: M12 PANEL MOUNT CONNECTOR D CODE, FEMALE, REAR MOUNTING

PRODUCT SPEC: 108-106140  
 APPLICATION SPEC: 114-137144

SIZE: A2 CAGE CODE: - DRAWING NO: T417111050X00L RESTRICTED TO: -  
 SCALE: 3:1 SHEET 1 OF 1 REV: B1