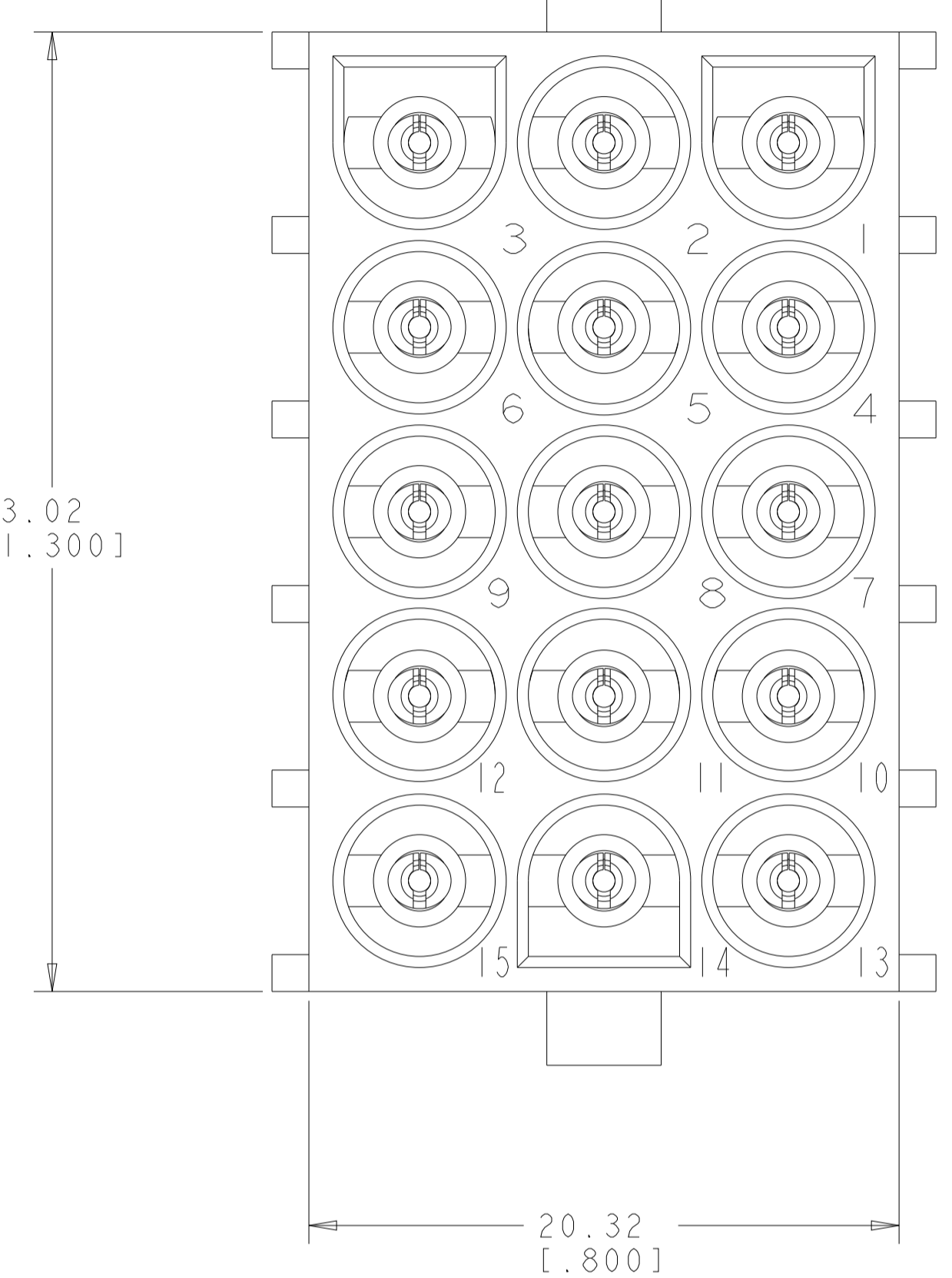
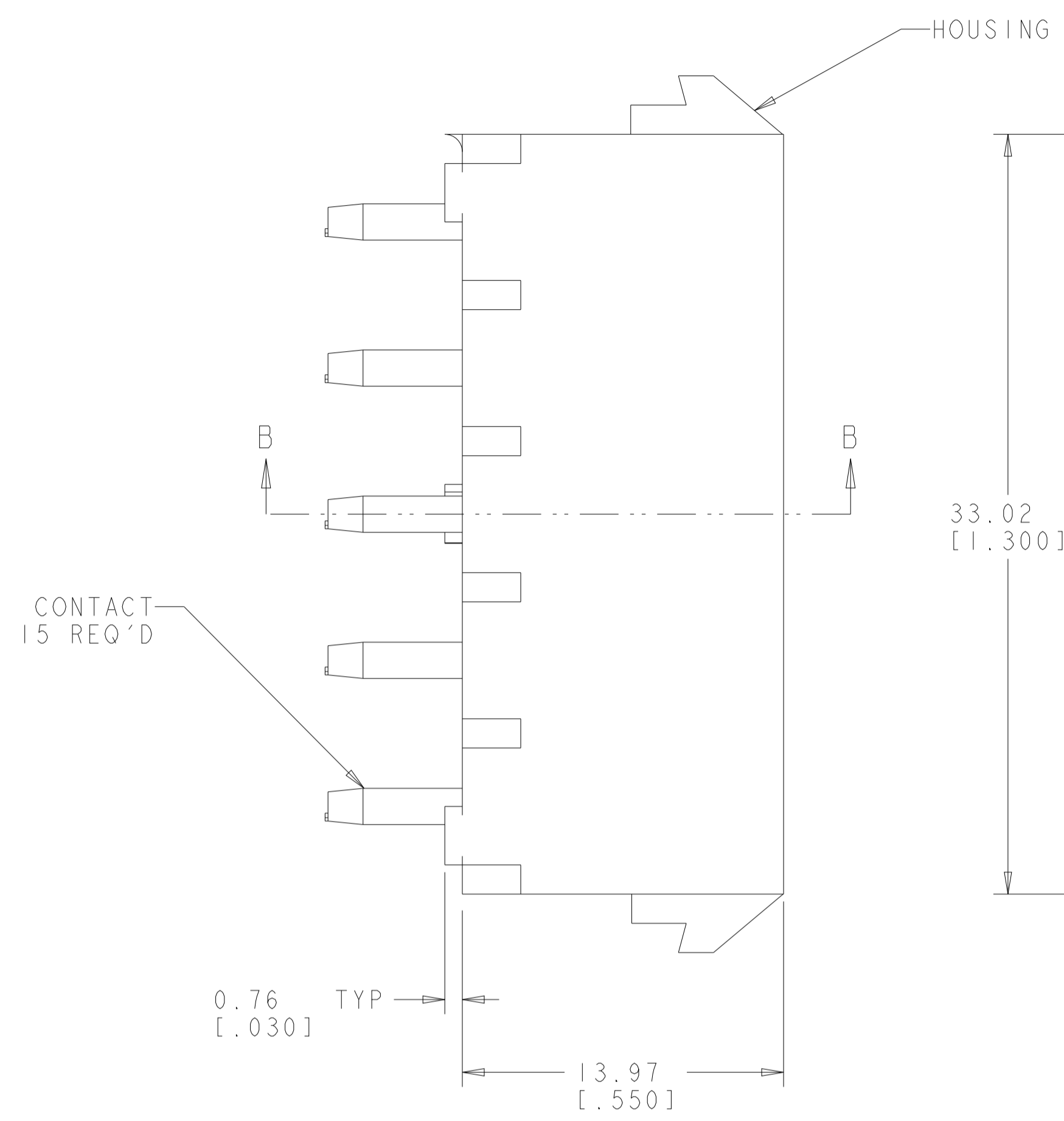
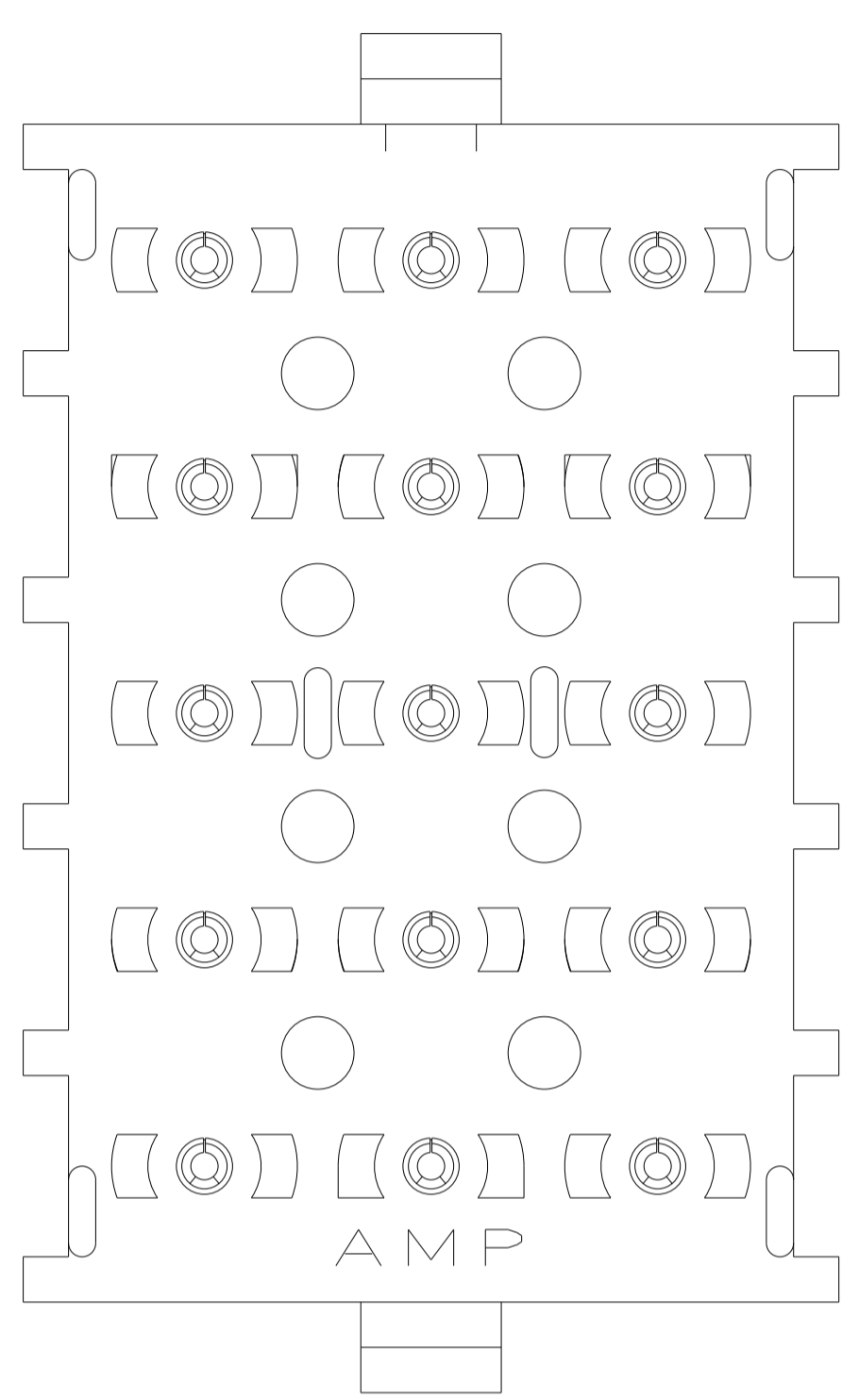
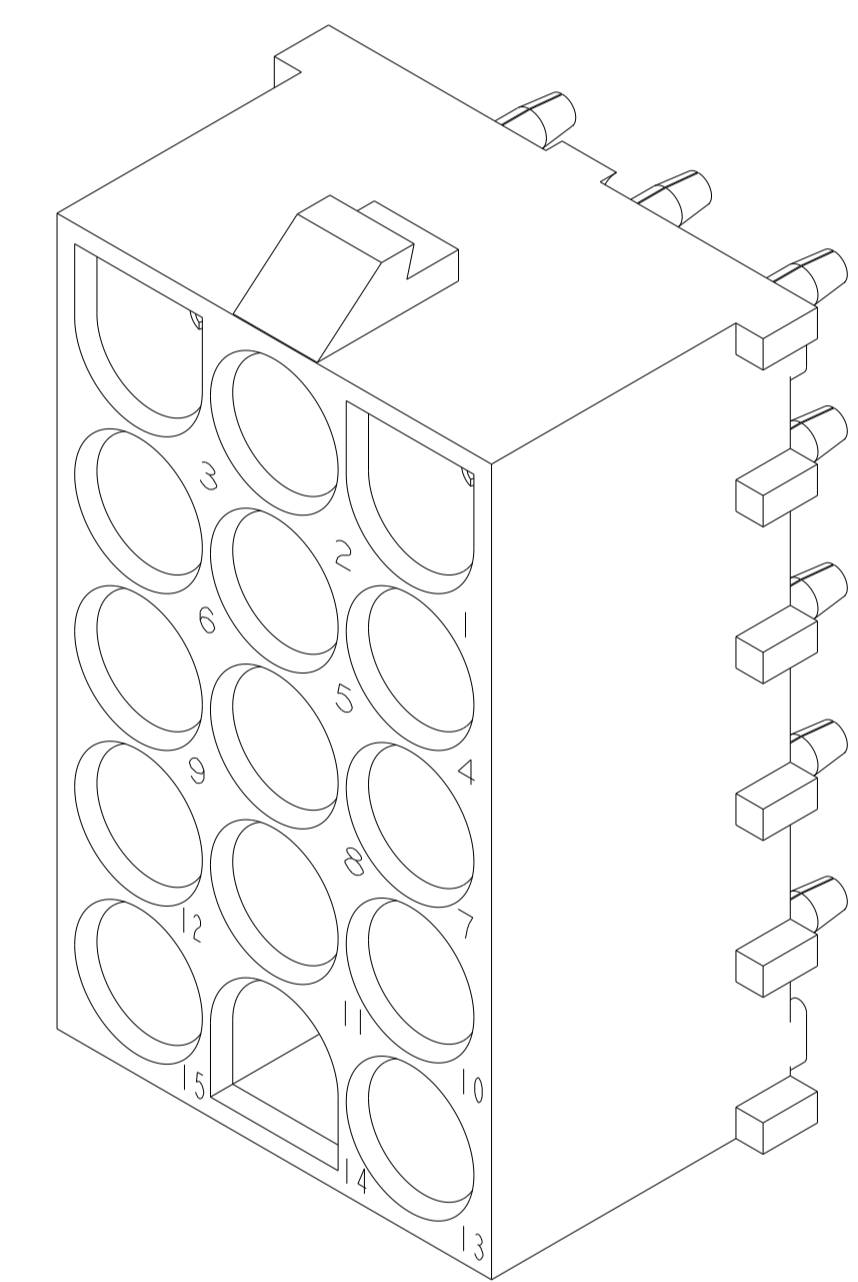


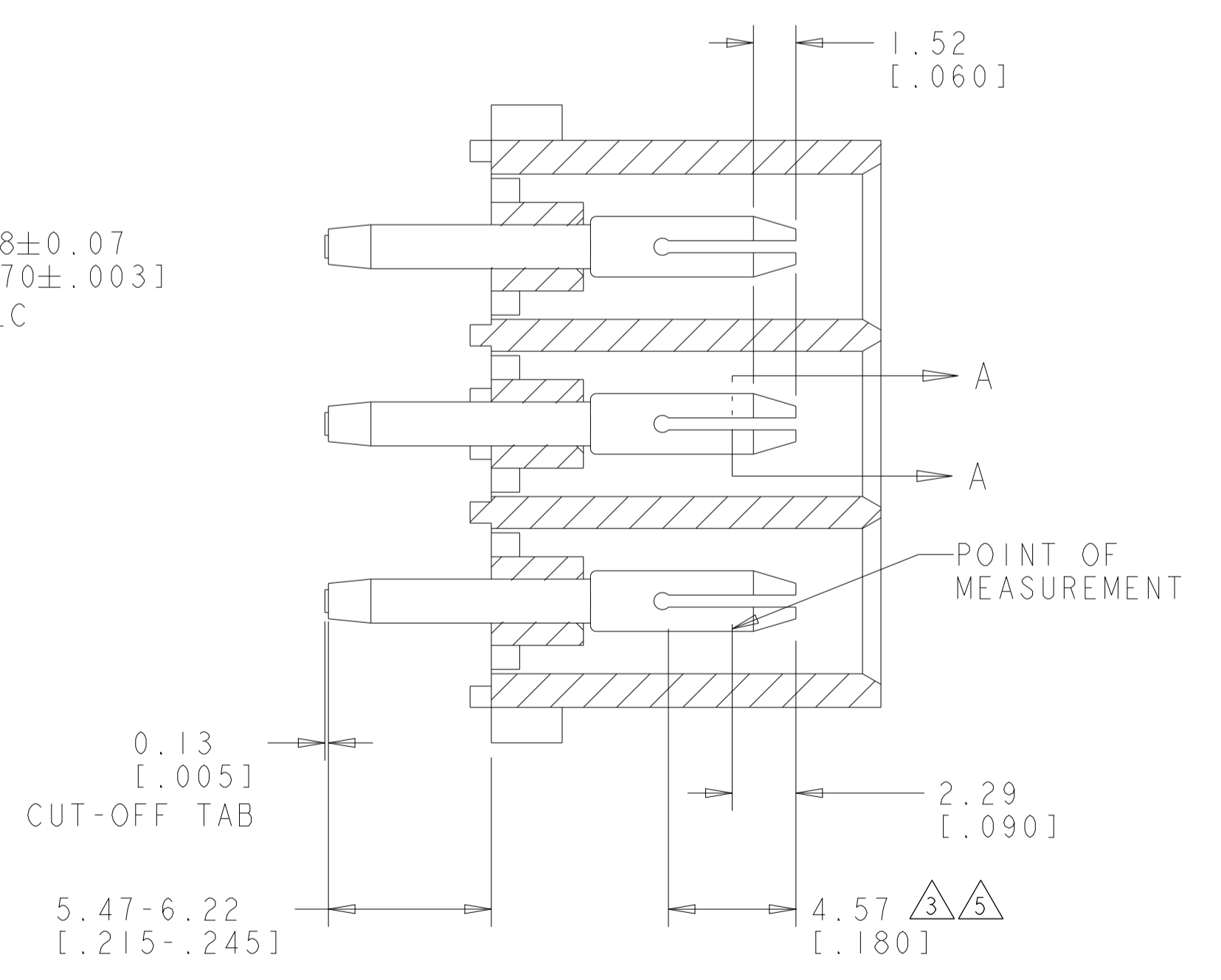
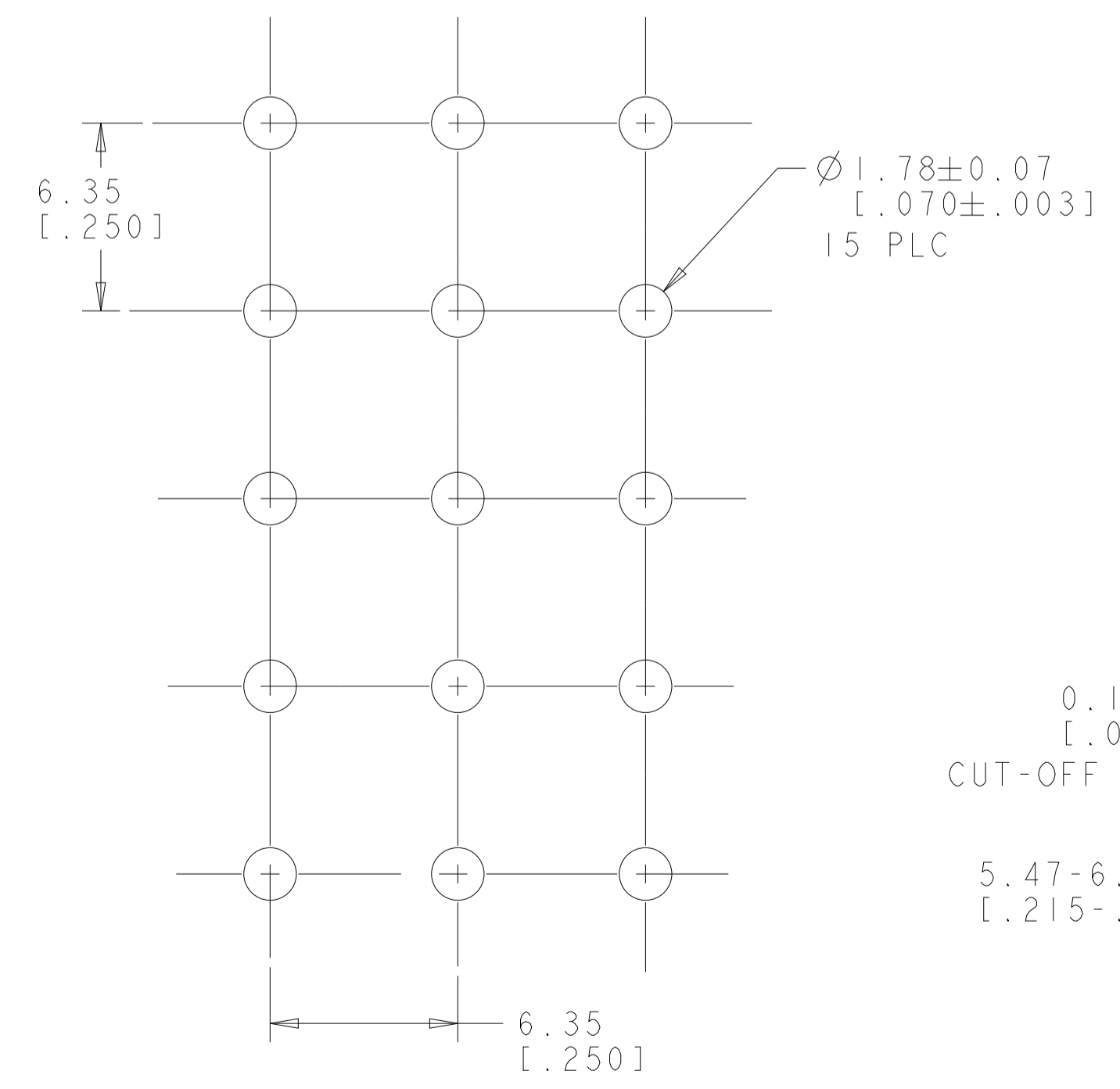
LOC	DIST	REVISIONS			
P	LTN	DESCRIPTION	DATE	DWN	APVD
R3		REVISED PER ECO-19-013980	10SEP2019	RS	SF
R4		REVISED PER ECR-21-118795	28JUL2022	SK	VS



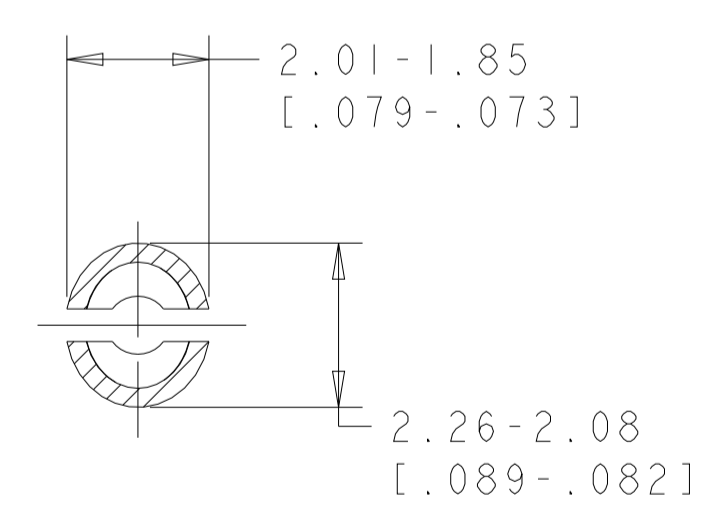
- MATES WITH HOUSING 480710.
- PARTS COMPLY TO AMP SOLDERABILITY SPECIFICATION 109-11-3.
- CONTACT IS PLATED OVERALL WITH 0.00127 [0.00050] NICKEL, THEN 0.00076 [0.00030] GOLD OVER CONTACT LENGTH INDICATED AND TIN LEAD ON SOLDER TAIL END.
- CIRCUIT IDENTIFICATION CHARACTERS ARE ADJACENT TO THE INDICATED CAVITIES, BUT LOCATION AND ORIENTATION MAY DIFFER FROM PRINT.
- CONTACT IS PLATED OVERALL WITH 0.00127 [0.00050] NICKEL, THEN 0.00076 [0.00030] GOLD OVER CONTACT LENGTH INDICATED AND MATTE TIN ON SOLDER TAIL END.
- DIMENSIONS IN BRACKETS ARE IN INCHES.
- OBsolete PARTS: OBSOLETE CIS STREAMLINING PER D.RENAUD/D.SINISI
- DIMENSIONS WITH REPRESENT PRODUCT IN DRY CONDITION. ADDITIONAL 2% GROWTH DUE TO END USE LOCATION MOISTURE ABSORPTION MAY OCCUR AND SHOULD BE ACCOUNTED FOR.



3 DIMENSIONAL MODEL  
SCALE 4:1



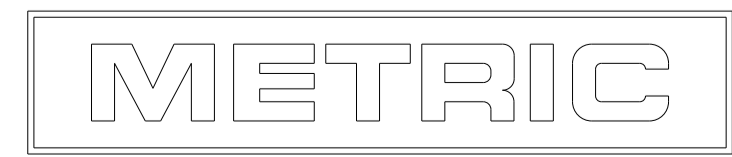
SECTION B-B



SECTION A-A  
SCALE 10:1

	PHOSPOR BRONZE, PRE-TIN	NYLON, UL94V-2, BROWN	1-350588-1
OBsolete	PHOSPOR BRONZE, GOLD	NYLON, UL94V-2, NATURAL	350588-4
	PHOSPOR BRONZE, GOLD	NYLON, UL94V-2, NATURAL	350588-2
	PHOSPOR BRONZE, PRE-TIN	NYLON, UL94V-2, NATURAL	350588-1
	PIN CONTACT MATERIAL AND FINISH	HOUSING MATERIAL AND COLOR	PART NUMBER

RECOMMENDED MOUNTING HOLE PATTERN FOR 1.57 [0.062] THICK P.C. BOARD HOLE THAT CORRESPONDS TO REMOVED CONTACT CAN BE OMITTED



DIMENSIONS: mm [INCHES] TOLERANCES UNLESS OTHERWISE SPECIFIED: 0 PLC ± 1 PLC ±0.131 [0.005] 2 PLC ± 3 PLC ± 4 PLC ± ANGLES 40° 30' FINISH SEE TABLE		DWN K. WHITAKER 07SEP2005 CHK S. RIDGILL 07SEP2005 APVD S. RIDGILL 07SEP2005 PRODUCT SPEC APPLICATION SPEC WEIGHT CUSTOMER DRAWING		Tyco Electronics Harrisburg, PA 17105-3608 NAME: PIN HEADER ASSEMBLY, 15 CIRCUIT, UNIVERSAL MATE-N-LOK(TM) SIZE: A1 CAGE CODE: 00779 DRAWING NO: 350588 SCALE: 5:1 SHEET: 1 OF 1 REV: R4	
---	--	--	--	--	--