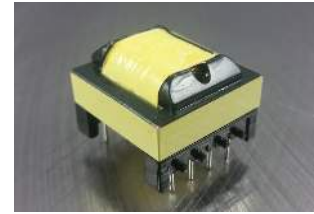




EF25 TRANSFORMER

AEF25-4411



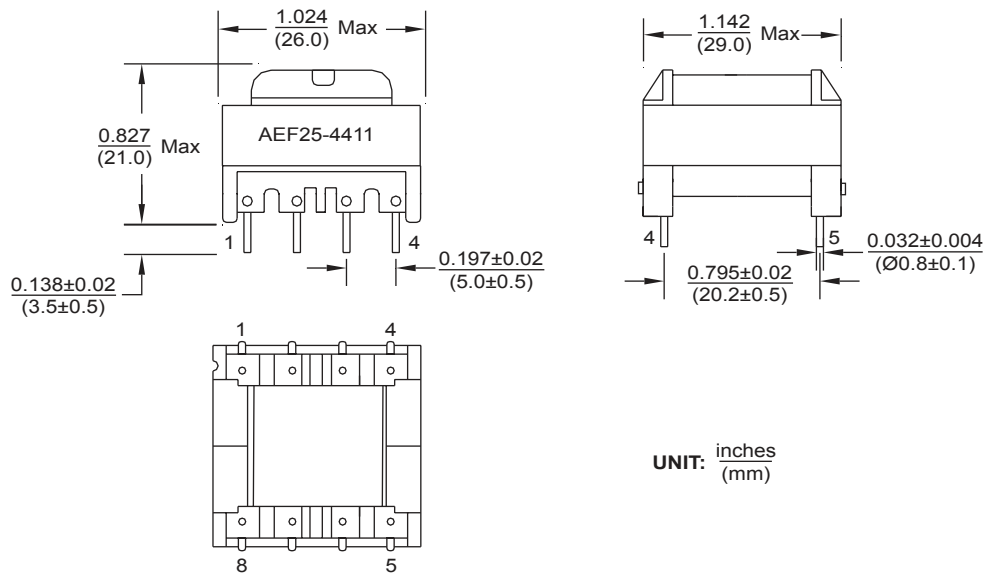
- EF25 Core design
- 8 pin, Through hole, horizontal mount package
- Extended operating temp: -40°C to +125°C

Electrical Specifications @25°C

| Turns Ratio (@15.75KHz, 1.0V) | | Inductance (@10KHz, 0.25V) | Leakage Inductance (@10KHz, 0.25V) | DC Resistance | | | Hi-Pot 1Sec, 5mA | |
|-------------------------------|-------------------|----------------------------|-------------------------------------|---------------|----------|-----------|------------------|----------|
| (1 - 2) : (2 - 3) | (1 - 2) : (4 - 5) | (1 - 3) | (1 - 3) Short pins (2, 3, 4, and 5) | (1 - 2) | (2 - 3) | (4 - 5) | N1, N2 - N3 | N - Core |
| 1.143±5% | 2.105±5% | 317µH ±10% | 10µH MAX | 0.3Ω Max | 0.1Ω Max | 2.2mΩ Max | 1.5KVAC | 1.0KVAC |

All specifications subject to change without notice.

MECHANICAL



UNIT: inches (mm)

Bottom View

SCHEMATICS

