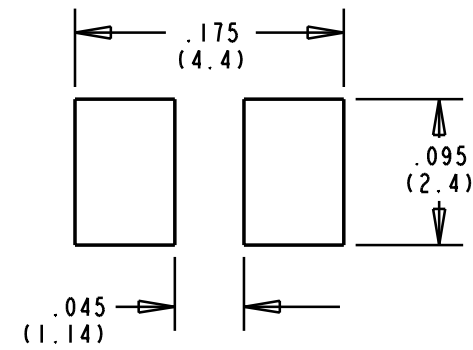
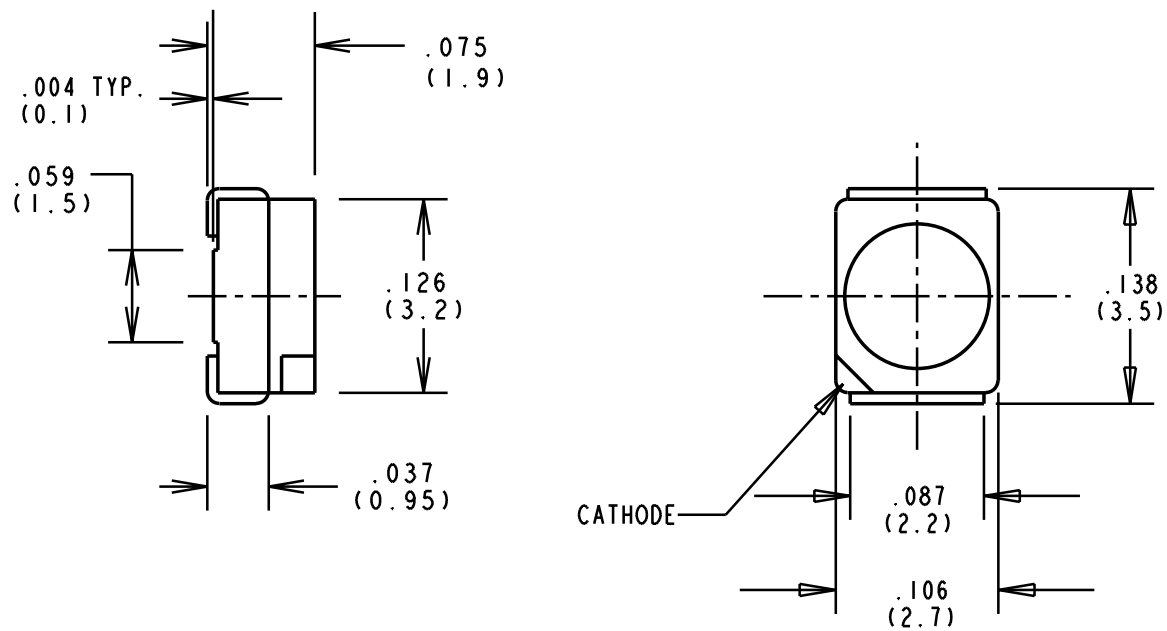


REV.	ECN NO.	REVISIONS	DRN.	CKD.	APP.	DATE
A	—	NEW RELEASE	DC			



RECOMMENDED SOLDER PAD LAYOUT

OPERATING CHARACTERISTICS AT 25° C AMBIENT

LED CHARACTERISTICS	MIN.	TYP.	MAX.	UNITS	TEST CONDITIONS
LUMINOUS INTENSITY	6.3		16.0	mc d	$I_f = 10 \text{ mA}$
FORWARD VOLTAGE		3.5	4.2	V	$I_f = 10 \text{ mA}$
REVERSE CURRENT		0.01	10	$\mu\text{A}$	$V_R = 5 \text{ V}$
PEAK WAVELENGTH		428		nm	
2 X 1/2-INTENSITY ANGLE		120		DEGREES	

ABSOLUTE MAXIMUM RATINGS AT 25° C AMBIENT

POWER DISSIPATION	100 mW
CONTINUOUS FORWARD CURRENT	20 mA
DERATE LINEARLY FROM 55° C	0.44 mA/°C
PEAK REVERSE VOLTAGE	5 V
SOLDERING PROFILE: IR - 235°C PEAK 15 SEC., 185°C - 90 SEC. MAX.	
OPERATING AND STORAGE TEMPERATURE	-40 °C TO +100 °C

NOTES:

- EPOXY COLOR: WATER CLEAR.
- DIE: InGaN.
- LEADS: 80/20 Sn/Pb SOLDER PLATED.
- SOLDER ADHERANCE: BOTH LEADS PER MIL-STD-202E, METHOD 208C.
- SUFFIX -202 FOR 20-PCS ON A SAMPLE TAPE STRIP.
- SUFFIX -207 FOR 180 mm DIA. REEL, 8 mm WIDE TAPE, PACKAGED 1500-PCS PER REEL WITH A PITCH OF 4 mm.
- DEVICES POSITIONED ON REEL WITH CATHODE SIDE TOWARDS SPROCKET.
- DIALIGHT P/N: 597-3601-202, 597-3601-207.
- TAPE AND REEL LEDS MAY REQUIRE RE-TAPING AFTER TWELVE MONTHS.

THIS DRAWING AND THE CONTENTS HEREIN ARE CONFIDENTIAL AND THE SOLE PROPERTY OF DIALIGHT. REPRODUCTION OF THIS DRAWING OR CONSTRUCTION OF ANY PARTS WITHIN THIS DRAWING ARE FORBIDDEN WITHOUT THE WRITTEN CONSENT OF DIALIGHT.		
SCALE NONE	DRAWING NUMBER	REV
ALL DIM'S IN: INCHES	C-16643	A
TOLERANCES: UNLESS OTHERWISE SPECIFIED	TITLE	
FRACTIONS: $\pm 1/64$	BLUE SMT LED	
DECIMALS (.XX): $\pm .010$	MATERIAL	
DECIMALS (.XXX): $\pm .008$		
ANGLES: $\pm 3^\circ$		
FINISH:		
FSCM 83330	Dialight	1913 ATLANTIC AVE. MANASQUAN, N.J. 08736
	SHEET OF	FAMILY TABLE: