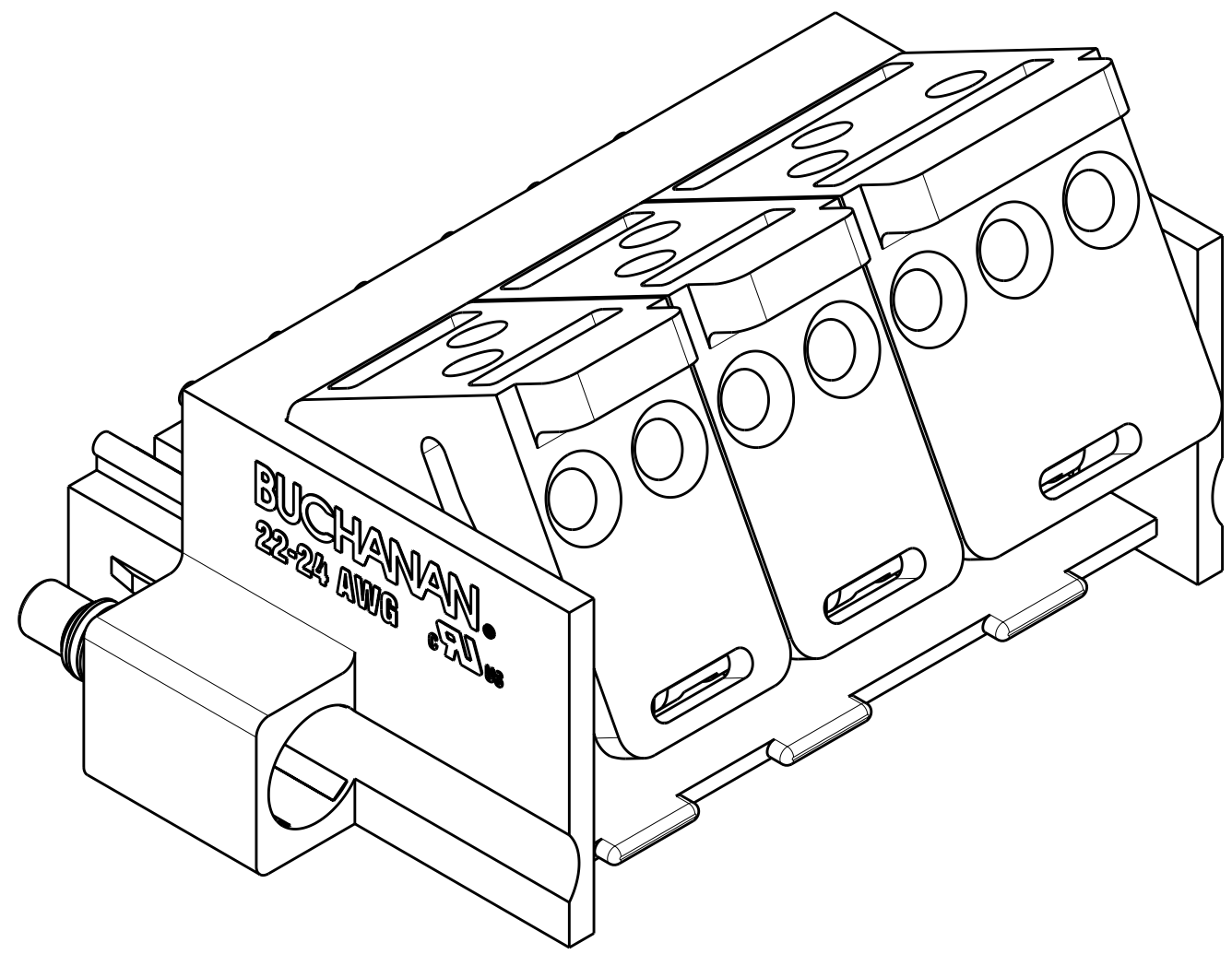
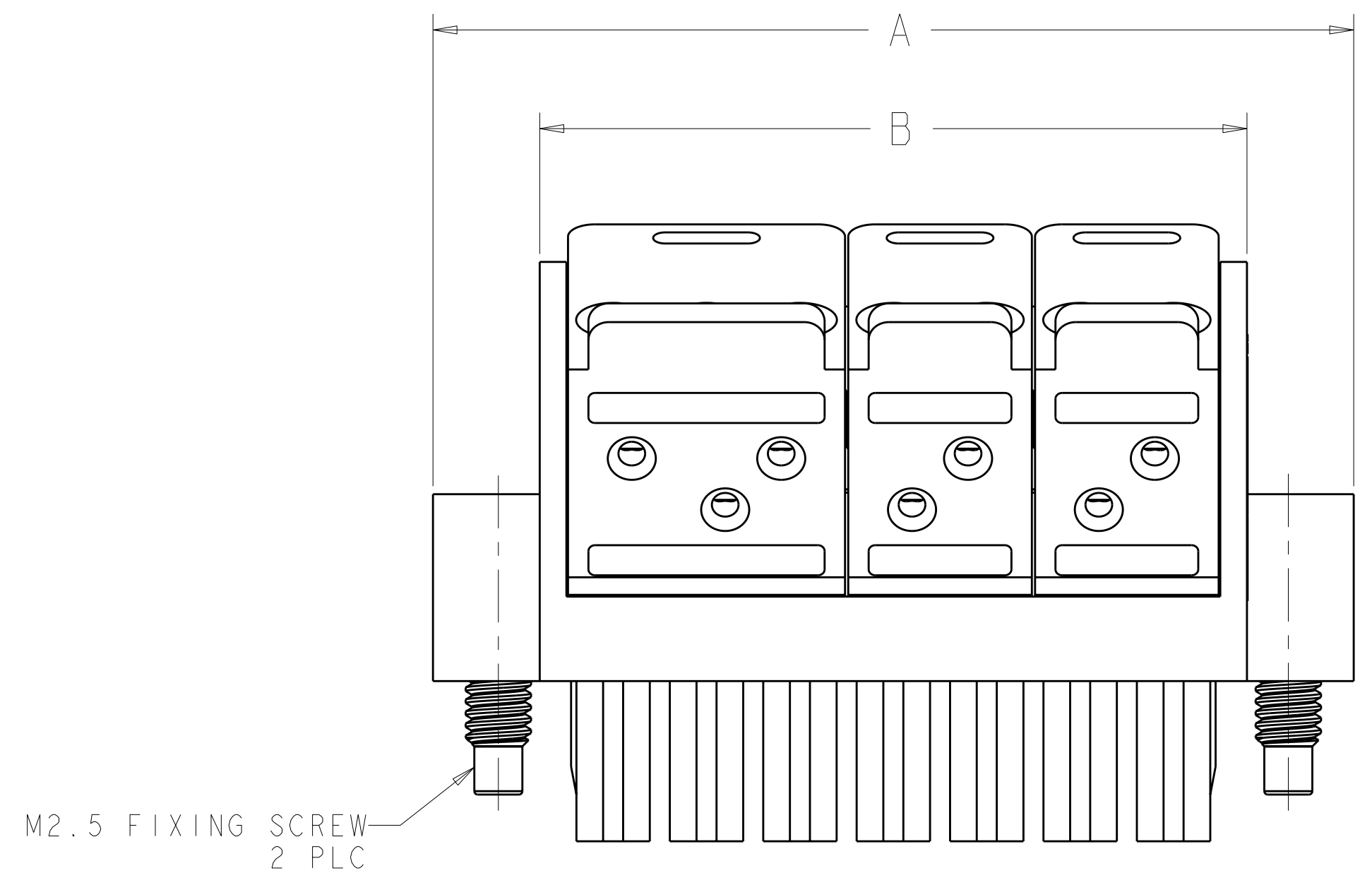
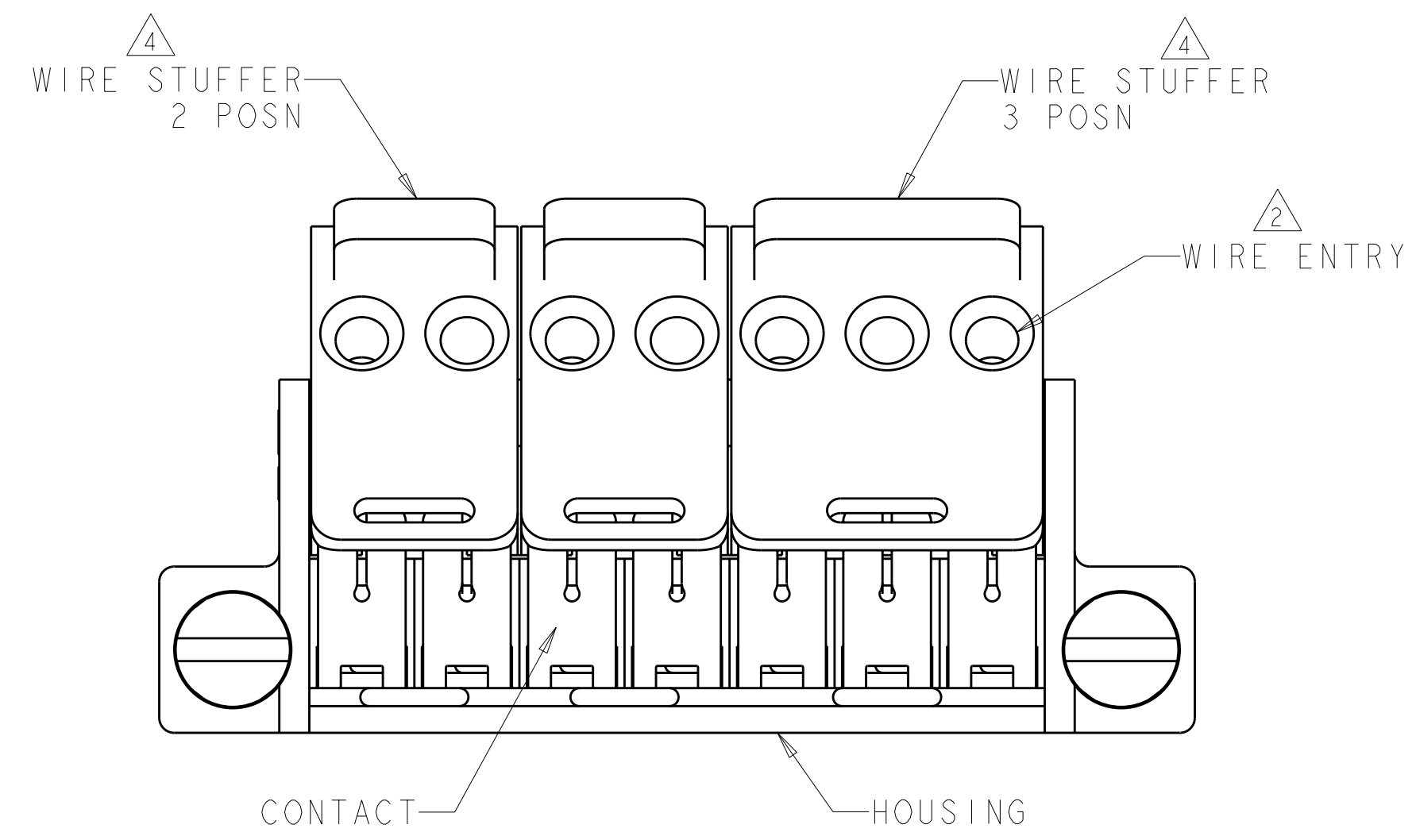
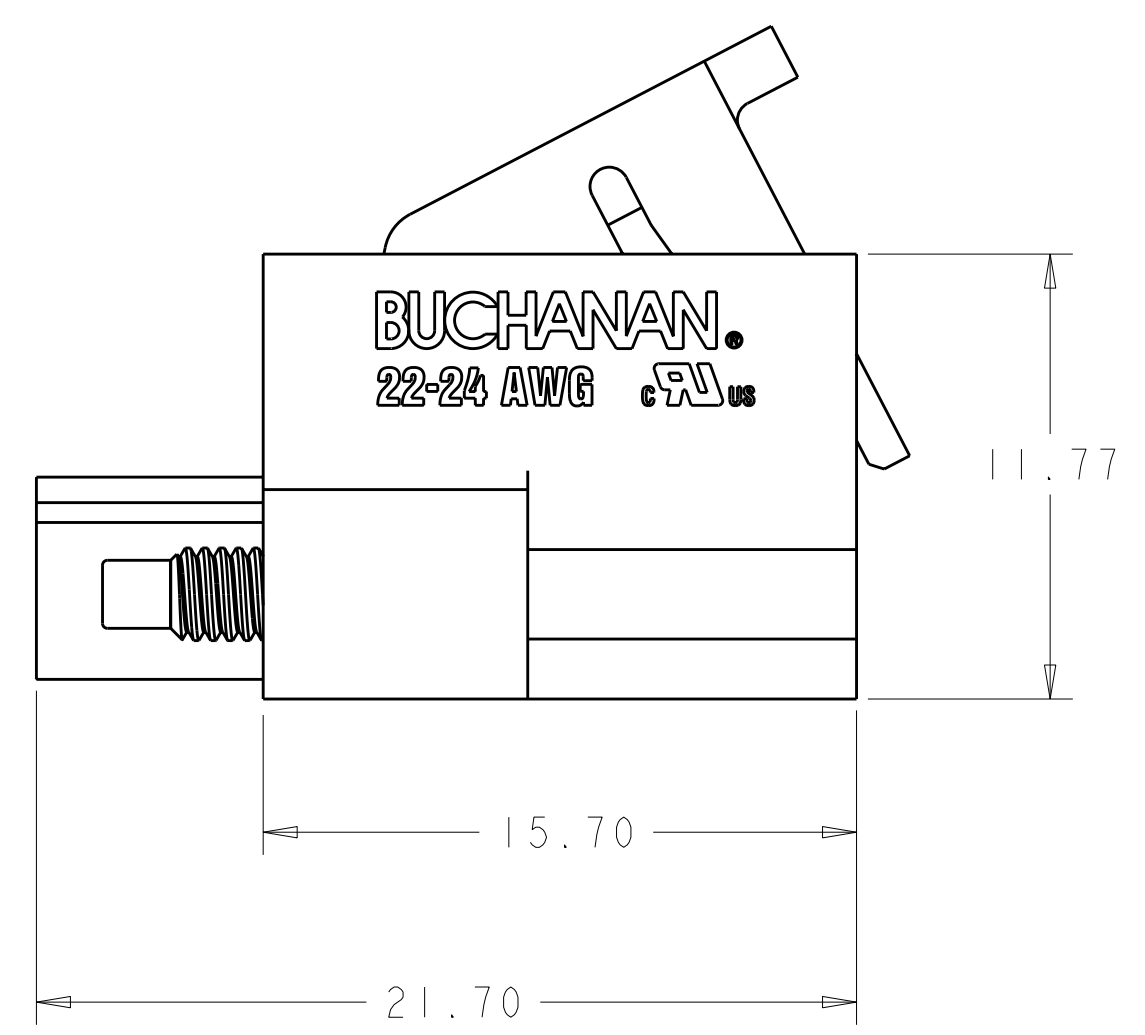
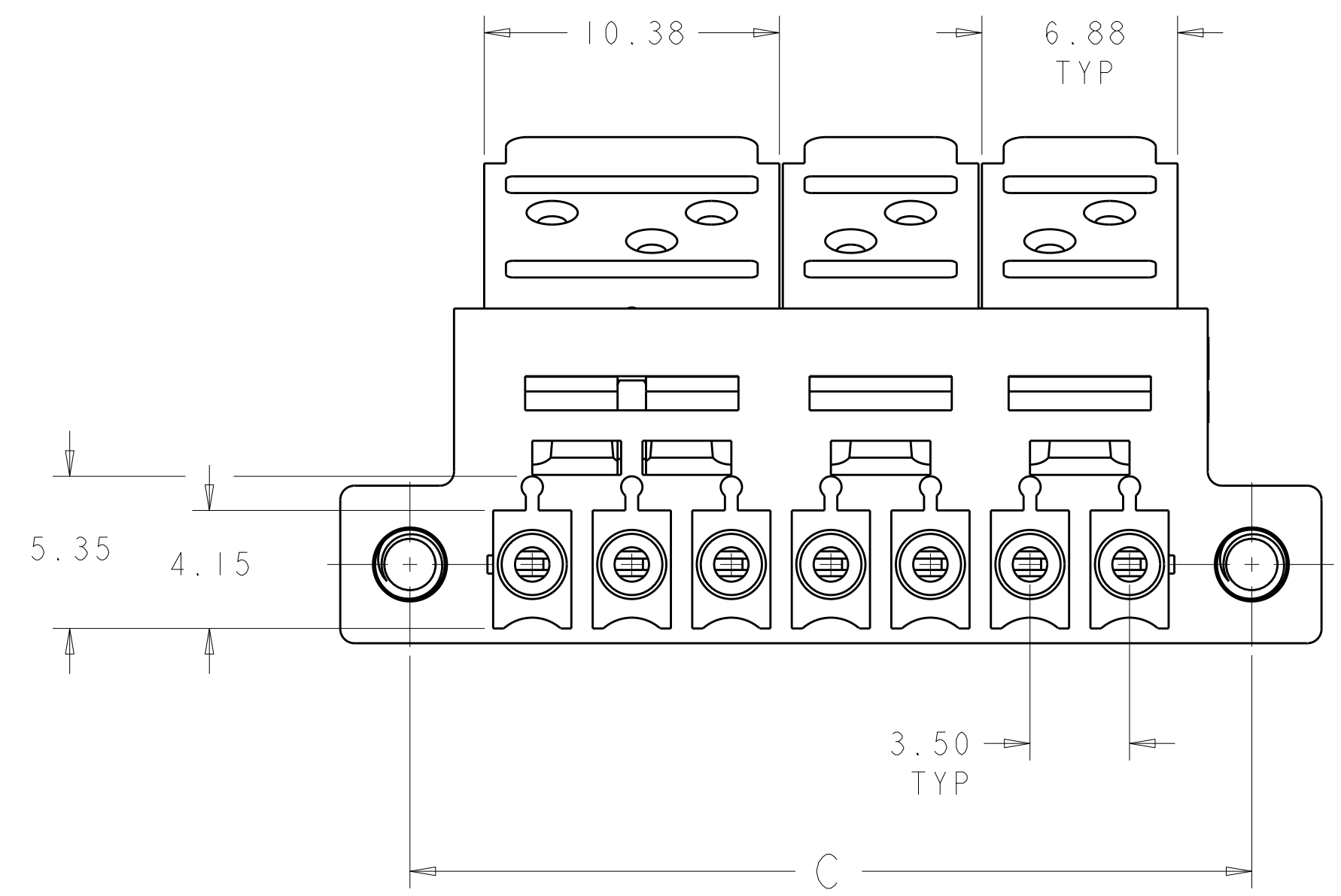


LOC	DIST	REVISIONS			
FT	0	REV	DATE	BY	APPD
		A	01DEC11	KH	MS



OBSOLETE



- 1 MATERIAL AND FINISH:
 HOUSING: POLYESTER, COLOR: LIGHT BLUE.
 WIRE STUFFER: POLYCARBONATE, COLOR: CLEAR.
 CONTACT: COPPER ALLOY, 3.00µm MINIMUM TIN OVER 1.27µm NICKEL
 SCREW: STEEL, ZINC PLATED.
- 2 EACH WIRE ENTRY ACCEPTS ONE UNSTRIPPED, STRANDED OR SOLID COPPER 22-24 AWG WIRE WITH A MINIMUM INSULATION DIAMETER OF 1.52mm. RECOMMENDED WIRE INSULATION IS PVC. CONNECTOR MAY NOT FUNCTION CORRECTLY WITH SRPVC OR ANY OTHER RIGID OR SEMI-RIGID INSULATION. CONTACT TYCO ENGINEERING FOR ALL OTHER WIRE INSULATION APPROVAL BEFORE USE.
- 3. CONNECTOR MATES WITH 3.5mm OPEN AND CLOSED-END INDUSTRY STANDARD HEADERS.
- 4 ODD POSITION ASSEMBLIES USE ONE 3 POSITION WIRE STUFFER LOCATED OVER THE LAST THREE POSITIONS AS SHOWN AND 2 POSITION WIRE STUFFERS FOR REMAINING POSITIONS.

61.10	58.00	66.00	16	1-1776281-6
57.60	54.50	62.50	15	1-1776281-5
54.10	51.00	59.00	14	1-1776281-4
50.60	47.50	55.50	13	1-1776281-3
47.10	44.00	52.00	12	1-1776281-2
43.60	40.50	48.50	11	1-1776281-1
40.10	37.00	45.00	10	1-1776281-0
36.60	33.50	41.50	9	1776281-9
33.10	30.00	38.00	8	1776281-8
29.60	26.50	34.50	7	1776281-7
26.10	23.00	31.00	6	1776281-6
22.60	19.50	27.50	5	1776281-5
19.10	16.00	24.00	4	1776281-4
15.60	12.50	20.50	3	1776281-3
12.10	9.00	17.00	2	1776281-2
C	B	A	NO OF POSN	PART NUMBER

THIS DRAWING IS A CONTROLLED DOCUMENT.

DIMENSIONS: mm
 TOLERANCES UNLESS OTHERWISE SPECIFIED:
 0 PLC ±.5
 1 PLC ±0.13
 2 PLC ±0.000
 3 PLC ±0.000
 4 PLC ±0.000
 ANGLES ±.1
 FINISH:

DWG: S. WELDON 18MAR2005
 CHK: C. RICHARD 18MAR2005
 APVD: C. RICHARD 18MAR2005

STE TE Connectivity
 NAME: PIVOT BLOCK ASSEMBLY, W/ SCREW FLANGE, 22-24 AWG, LIGHT BLUE, 3.5mm
 SIZE: A100779 C=1776281
 SCALE: 5:1 SHEET 1 OF 1 REV A