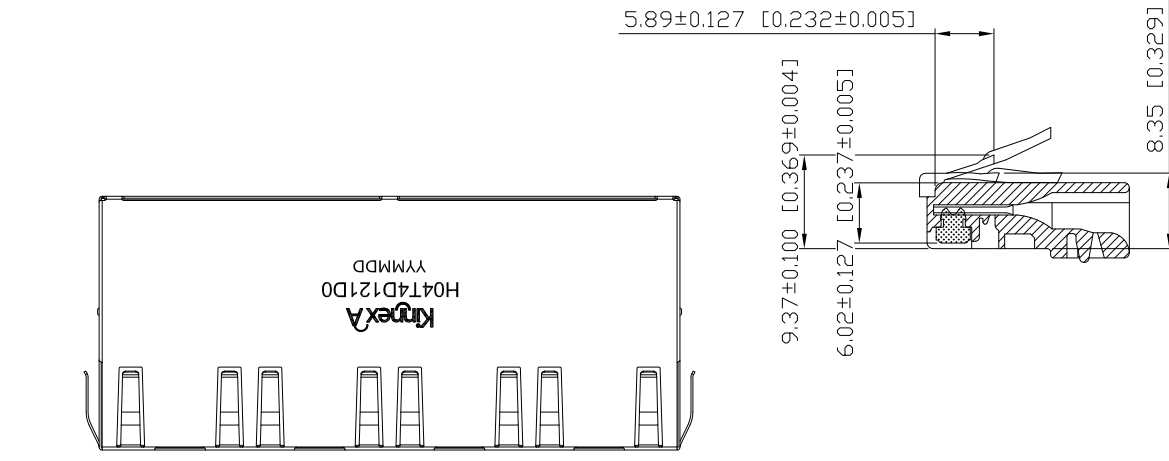


1. MECHANICAL DIMENSIONS :

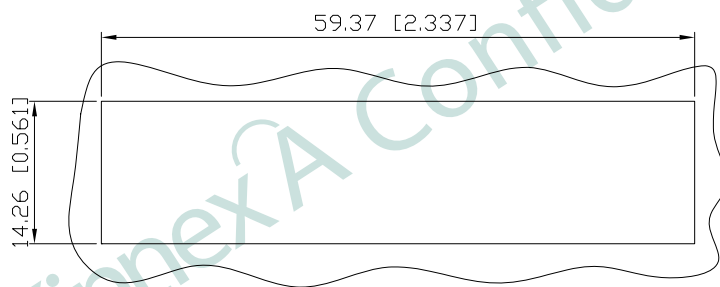
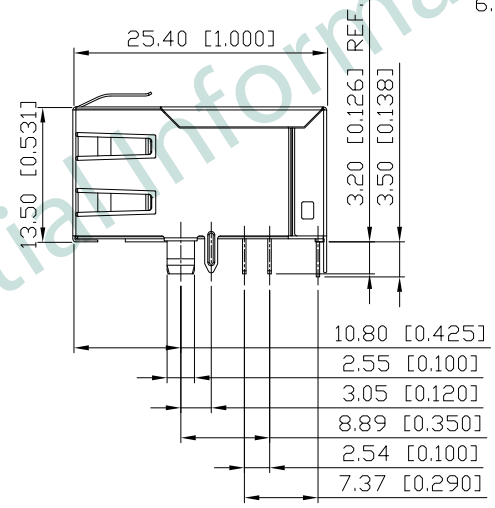
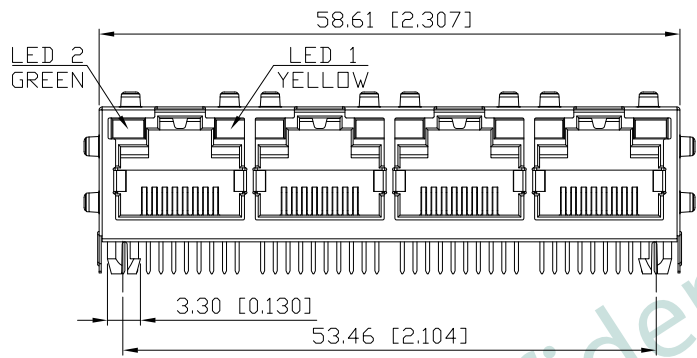
RECOMMENDED PLUG DIMENSION:

REV.	DATE	DESCRIPTION
01	Oct. 17, '17	1st RELEASE

A
B
C
D
E
F



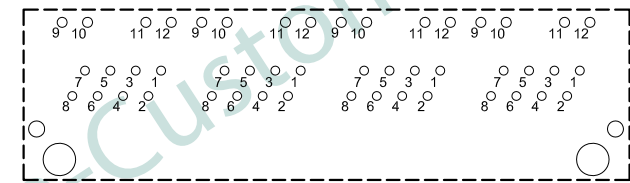
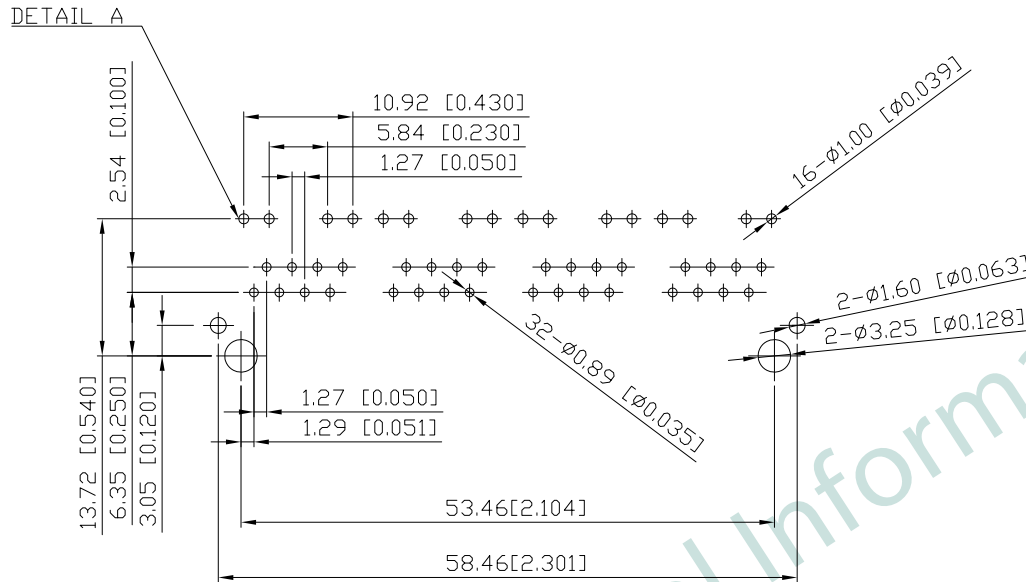
- NOTES:
- MATERIAL:
HOUSING: HIGH THERMOPLASTIC, UL94V-0, BLACK
CONTACTS: T=0.35mm PHOS-BRONZE,
6u" GOLD PLATING ON CONTACT AREA,
NICKEL UNDERPLATING OVERALL
SHIELD: COPPER ALLOY, NICKEL PLATING
 - OPERATING TEMPERATURE: 0°C~+70°C
 - INSERTION FORCE: 4 POUNDS MAX.
EXTRACTION FORCE: 4 POUNDS MAX.
 - DURABILITY: 750 MATING CYCLED MIN.
 - CAVITY CONFORMS TO FCC RULES AND REGULATIONS PART 68,
SUBPART F.
 - UNSPECIFIED TOLERANCE: .XX ±0.25[0.010]
.X ±0.30[0.012]



RECOMMENDED
PANEL CUTOUT DIMENSION

PART NO		KRH-04T-4-D12-1D0		
TITLE	RJ45 1X4 8P8C, W/ 10/100 TRANSFORMER, W/LED, SHIELDED			
REV : 01				
UNIT	DRAWN	CHKD	DATE	SHEET
mm[inch]	BOCHEN	CINDY	Oct. 17, '17	1 of 5

2. PCB LAYOUT :



DETAIL A

SUGGESTED PCB LAYOUT
(TOP VIEW)
DIMENSIONAL TOLERANCE: .XX ±0.08[0.003]

P#	DEFINITION
P1	TD+
P2	CT
P3	TD-
P4	RD+
P5	CT
P6	RD-
P7	-
P8	GND
P9	LEFT GR+
P10	LEFT GR-
P11	RIGHT YE+
P12	RIGHT YE-

KRH-04T-4-D12-1D0

PRODUCT SERIES
KRH: LATCH UP

NUMBER OF PORTS
MECHANICAL TYPE
04T: KRH 4 PORT,
LENGTH=25.4mm,
STAGGERED PINS

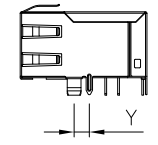
LED COLOR OPTION

SPECIAL CODE
0: STANDARD

SHIELDED TYPE
D: 4 PORT W/D TAB, Y=3.05mm,
EMI FINGER ON ALL SIDE

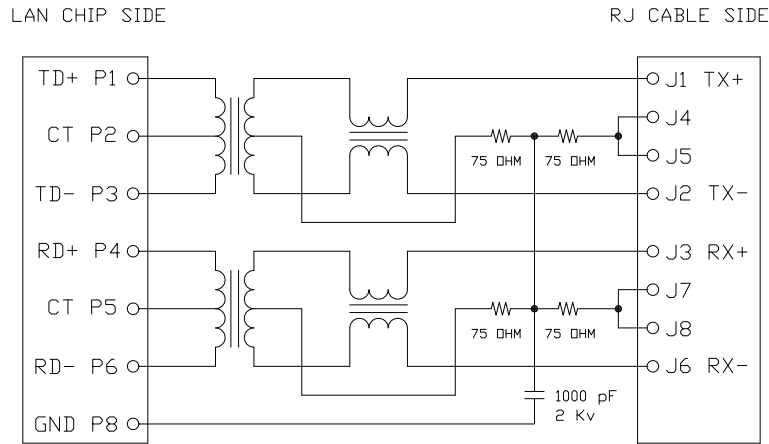
LED POLARITY
1: +-, +-

CIRCUIT TYPE



PART NO		KRH-04T-4-D12-1D0		
TITLE	RJ45 1X4 8P8C, W/ 10/100 TRANSFORMER, W/LED, SHIELDED			
REV : 01				
UNIT	DRAWN	CHKD	DATE	SHEET
mm[inch]	BOCHEN	CINDY	Oct. 17, '17	2 of 5

3. SCHEMATIC :



COLOR	VF(V) @20mA		IV(mcd) @20mA	IF(mA)	PEAK WAVE LENGTH λP(nm) @20mA
	TYP	MAX	TYP	TYP	TYP
GREEN	2.2	2.6	10	20	570
YELLOW	2.2	2.6	15	20	588

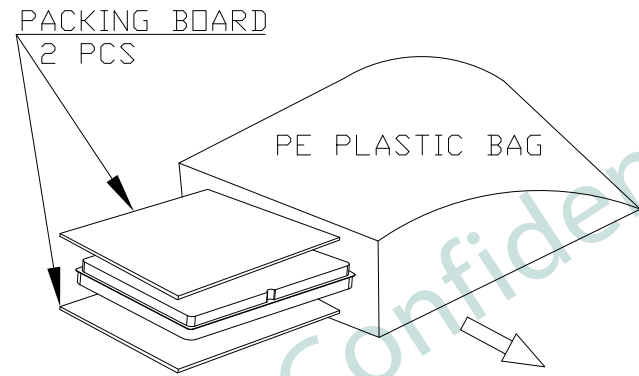
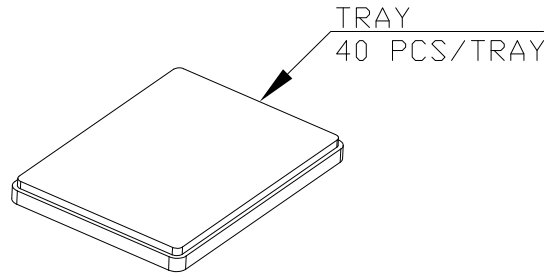
4. ELECTRICAL CHARACTERISTICS :

TEST NOTES:(25±5°C)

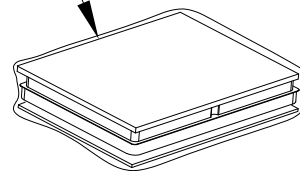
- TR:
INPUT TO OUTPUT=1:1±3%
- LX:(100KHz,100mV,8mA, DC Bias)
350uH MINIMUM
- DCR:
EVERY RJ PAIR=1.2 Ω MAXIMUM
- HIPOT:
INPUT(RJ SIDE) TO OUTPUT(LAN SIDE):
1500 VAC/60SEC
- INSERTION LOSS:
-1.0dB MAXIMUM AT 0.3MHz TO 100MHz
- RETURN LOSS:
-20dB MINIMUM AT 1MHz TO 30MHz
-15dB MINIMUM AT 30MHz TO 60MHz
-10dB MINIMUM AT 60MHz TO 80MHz
- CROSS TALK:
-30dB MINIMUM AT 1MHz TO 100MHz
- COMMON TO COMMON MODE REJECTION:
-30dB MINIMUM AT 1MHz TO 100MHz

PART NO		KRH-04T-4-D12-1D0		
TITLE	RJ45 1X4 8P8C, W/ 10/100 TRANSFORMER, W/LED, SHIELDED			
REV : 01				
UNIT	DRAWN	CHKD	DATE	SHEET
mm[inch]	BOCHEN	CINDY	Oct. 17, '17	3 of 5

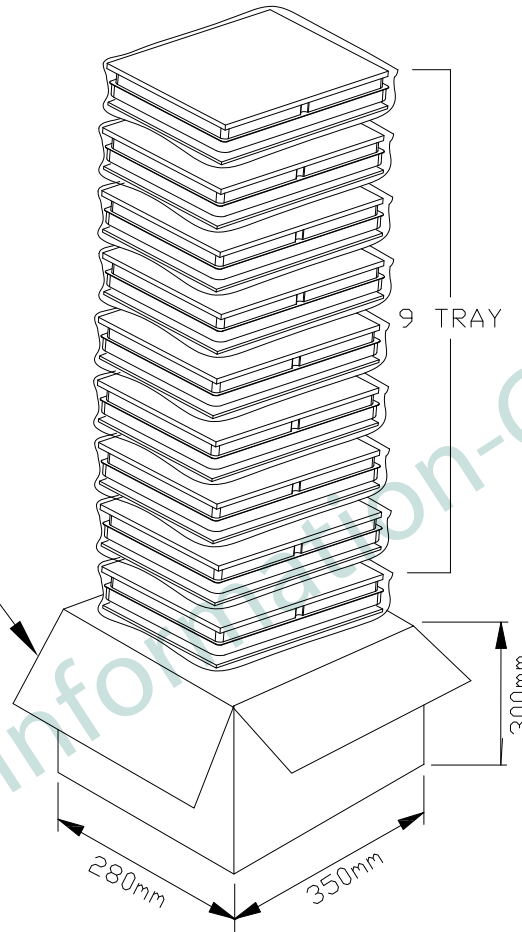
5. PACKING SPECIFICATION:



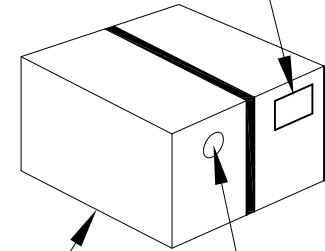
1 TRAY + 2 PCS PACKING BOARD
VACUUM SEALED



CARTON
360 PCS



PACKING LABEL



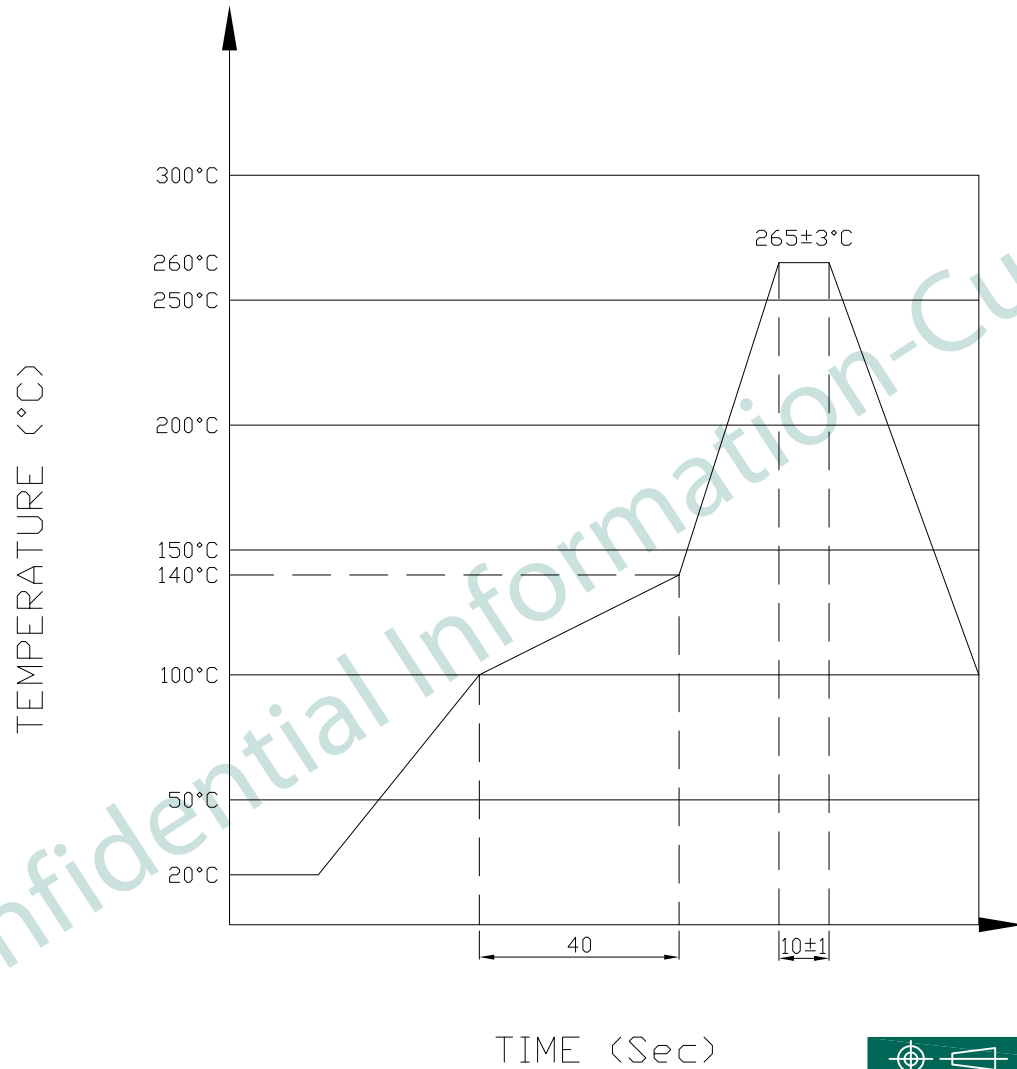
CARTON

1 PCS : N.W-18.8g
1 CTN : N.W-6.76kg(360PCS)
1 CTN : G.W-7.82kg
SIZE : 350X280X300(mm)

PART NO KRH-04T-4-D12-1D0				
TITLE	RJ45 1X4 8P8C, W/ 10/100 TRANSFORMER, W/LED, SHIELDED			
REV : 01				
UNIT	DRAWN	CHKD	DATE	SHEET
mm[inch]	BOCHEN	CINDY	Oct. 17, '17	4 of 5

RoHS Compliant

6. PROFILE OF WAVE SOLDER :



The measuring point for the specified temperature shall be on the soldered part of the lead

PART NO KRH-04T-4-D12-1D0				
TITLE	RJ45 1X4 8P8C, W/ 10/100 TRANSFORMER, W/LED, SHIELDED			
REV : 01				
UNIT	DRAWN	CHKD	DATE	SHEET
mm[inch]	BOCHEN	CINDY	Oct. 17, '17	5 of 5