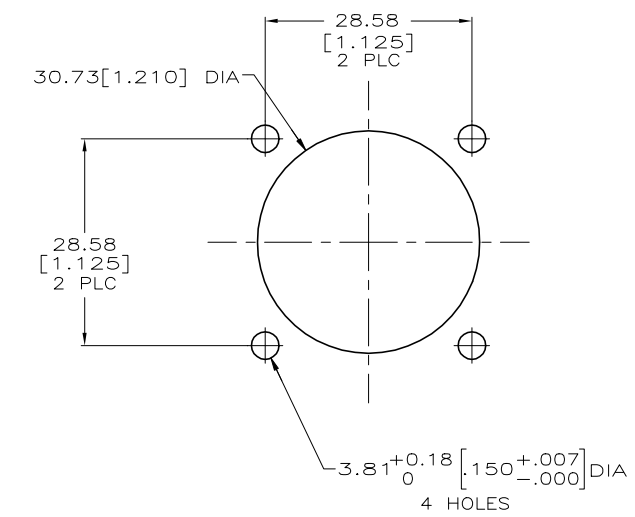
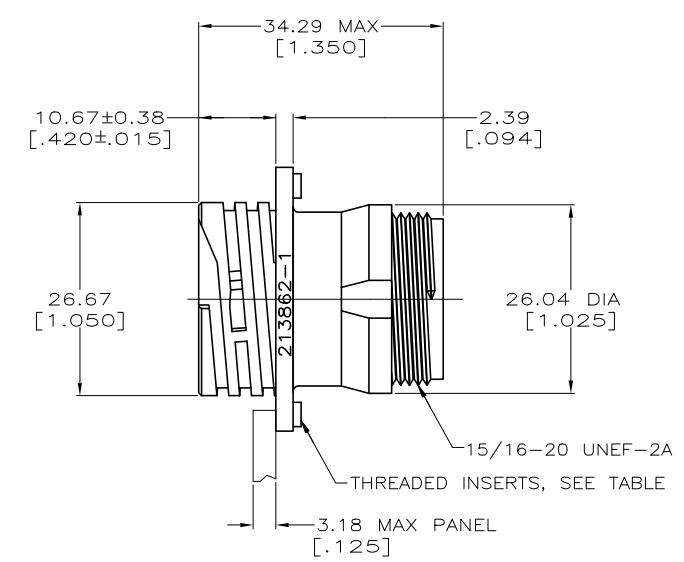
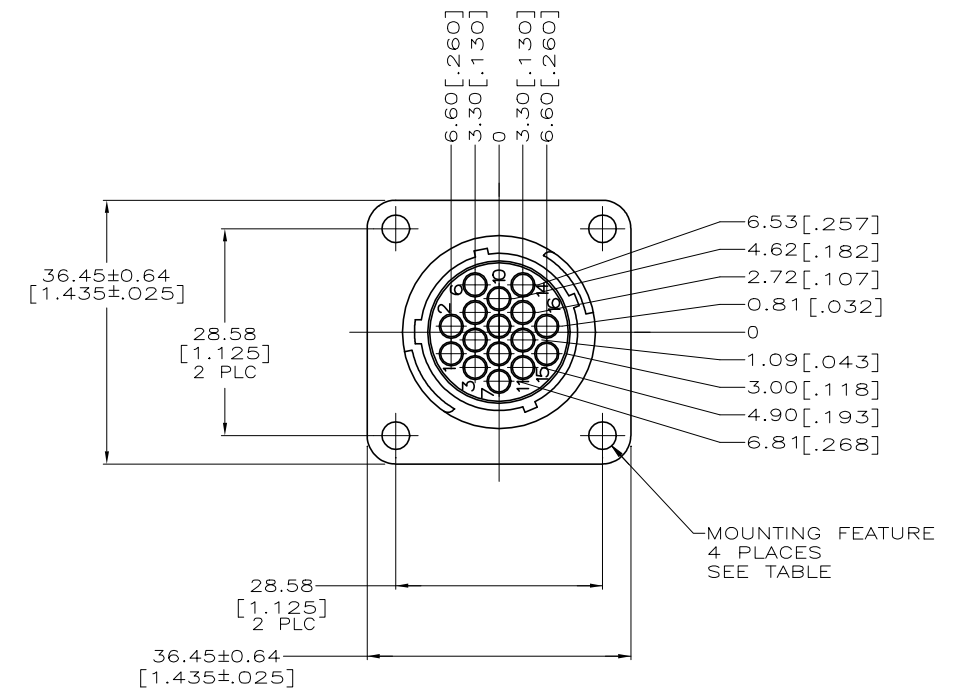


THIS DRAWING IS UNPUBLISHED. RELEASED FOR PUBLICATION
 © COPYRIGHT - By - ALL RIGHTS RESERVED.

REVISIONS					
#	LTR	DESCRIPTION	DATE	DNW	APVD
A		REVISED PER ECO-12-015521	28SEP12	KH	MZ
B		REVISED PER ECO-19-014836	22OCT2019	RS	MZ

- 1 CAVITY IDENTIFICATION ON FRONT AND REAR FACE.
- 2 WILL ACCEPT (16) MULTIMATE PIN CONTACTS.
- 3 MATERIALS
 HOUSING: PA66, BLACK
 THREADED INSERTS: BRASS



RECOMMENDED PANEL CUTOUT

#4-40 THREADED INSERTS	213862-2
ø3.81 (.125) HOLES	213862-1
MOUNTING FEATURES	PART NUMBER

THIS DRAWING IS A CONTROLLED DOCUMENT.

DNW: K.FOLTZ 12/21/94	CHK: R.STONE 01/05/95	APVD: T.COULSON 01/05/95	NAME: T.E. Connectivity
DIMENSIONS: mm [INCHES]		PRODUCT SPEC: 108-10024 APPLICATION SPEC:	
TOLERANCES UNLESS OTHERWISE SPECIFIED: 0 PLC ± - 1 PLC ± - 2 PLC ± 0.25 [.010] 3 PLC ± - 4 PLC ± - ANGLES ± -		SIZE: A1 CAGE CODE: 00779 DRAWING NO: 213862 RESTRICTED TO:	
MATERIAL: 3	FINISH: -	WEIGHT: -	SCALE: 2:1 SHEET 1 OF 1 REV B