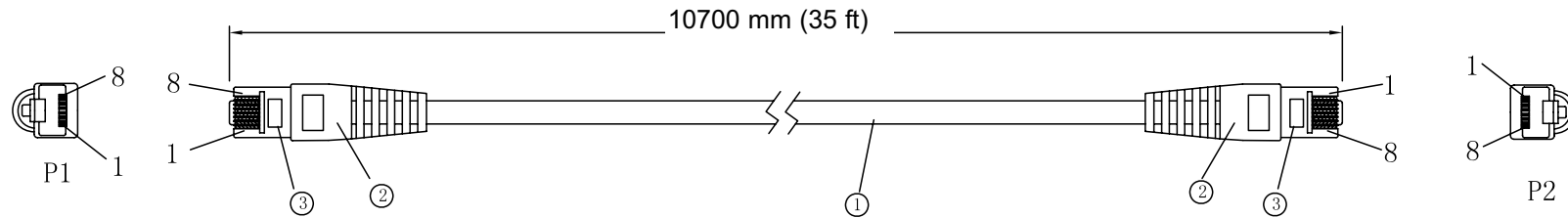
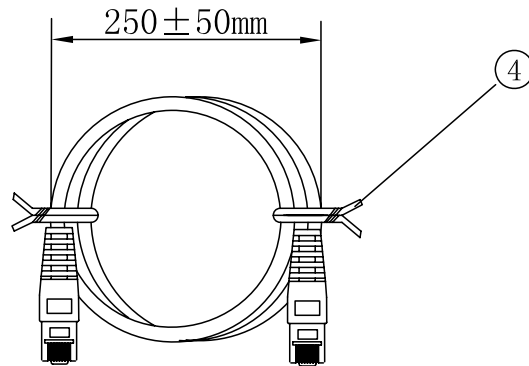


**PROPRIETARY INFORMATION:**  
 PROPRIETARY OF GLOBTEK, INC. ANY REPRODUCTION, DISCLOSURE OR USE OF THIS DRAWING, IN WHOLE OR IN PART, IS HEREBY PROHIBITED EXCEPT AS SPECIFIED IN WRITING BY GLOBTEK, INC.

REVISION			
REV	DESCRIPTION	DATE	APPROVED
A	INITIAL RELEASE, RFS. 20574, JN	03/21/11	HM



**PACKING:**



**CONNECTION:**

P1	WIRING	P1	COLOUR
1		1	WHITE/ORANGE
2		2	ORANGE
3		3	WHITE/GREEN
6		6	GREEN
4		4	BLUE
5		5	WHITE/BLUE
7		7	WHITE/BROWN
8		8	BROWN

4	Ties	120mm PVC core metal ties
3	Connector	RJ45-8P8C PLUG 50U GOLD PLATING
2	Rubber	PVC 55P White green material
1	Wire	C5E UTP White #24/4PR L:10700mm

DASH NO.	PART NO	REV.	DESCRIPTION	NOTES
<b>TABULATION BLOCK</b>				
		<b>TOLERANCES:</b> DECIMALS ANGULAR .xx +/- 0.1 +/- 1° .xxx +/- .005		 <b>186 Veterans Dr. Northvale, NJ 07647</b> <b>Tel. 201-784-1000 Fax 201.784.0111</b> <b>www.globtek.com</b>
		MILLIMETERS ANGULAR .xx +/- 0.3 +/- 1° .xxx +/- .013		
INIT.BY: JN	DATE: 03/21/11	DWG TITLE: C5E NON-PLENUM WHITE UTP AL=35FT		
DRAWN: NF	DATE: 03/21/11	FSCN No.: G, YL	SIZE: A	REV. A
APRVD: HM	DATE: 03/21/11	SCALE: NONE	PART NO: <b>RJ45CAT5E35FRJ45-NPR</b>	SHEET 1/1

**Foot Note:**  
 Globtek Inc. will not be liable for the safety and performance of these power product if unauthorized access and repair occurs. End user should consult the applicable UL, CSA or EN Standards for proper installation instruction.

**Limitation of Use:**  
 Globtek product are not authorized for use as mission critical components in life support, hazardous environment, nuclear or aircraft applications without prior written approval from the CEO of Globtek Inc.

Contents of this document are subject to change without prior notice