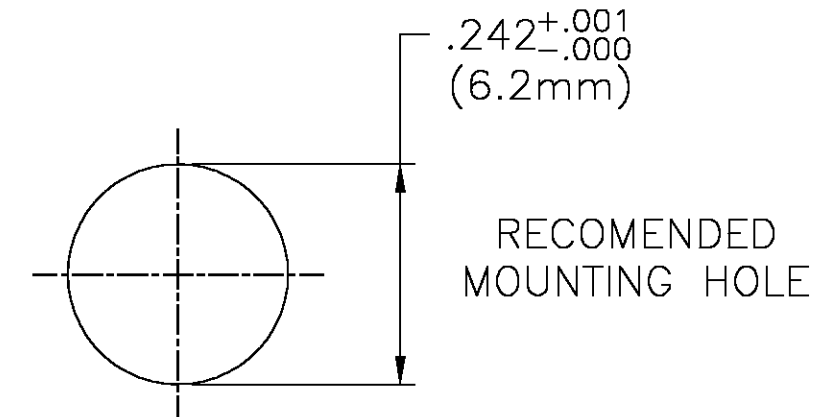
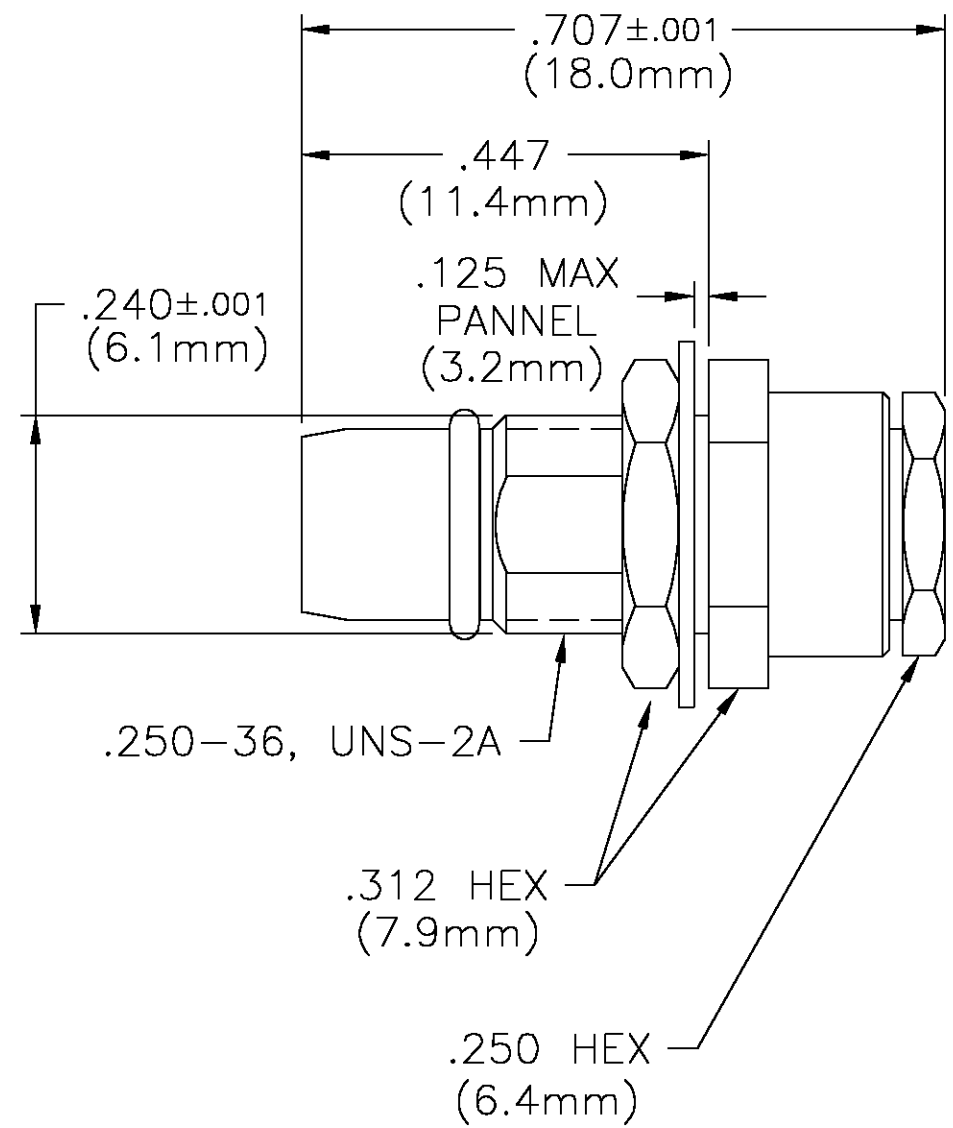


THIS DRAWING IS UNPUBLISHED. RELEASED FOR PUBLICATION
 © COPYRIGHT BY TYCO ELECTRONICS CORPORATION. ALL RIGHTS RESERVED.

LOC	DIST	REVISIONS					
HC	00	P	LTR	DESCRIPTION	DATE	DWN	APVD
			B	REV PER 0U20-0262-01	28FEB03	GV	JGH



HOUSING CLAMP NUT MOUNTING NUT WASHER	STAINLESS STEEL PER ASTM-A484 AND ASTM- A582, TYPE 303	PASSIVATE PER QQ-P-35
DIELECTRIC	TFE FLUOROCARBON PER MIL-P-19458 AND FED SPEC L-P-403	N/A
CENTER CONTACT	BRASS PER ASTM-B-16 HALF HARD	GOLD PLATE PER MIL-G-45204
LOCK WASHER	ST. STEEL PER QQ-S-763 TYPE 302	PASSIVATE PER QQ-P-35
SLEEVE	BRASS PER QQ-B-626	GOLD PLATE PER MIL- G-45204 OVER COPPER PLATE PER MIL-C-14550
O-RING	FLOUROSILOCONE PER MIL- R-25988, CLASSI, TYPE I.	N/A

COMPONENT	MATERIAL	FINISH
-----------	----------	--------

- NOTES:
- DESIGNED FOR USE WITH .047 DIA SEMI RIGID CABLE
 - CAPTURED CENTER CONTACT

THIS DRAWING IS A CONTROLLED DOCUMENT.		DWN G. VIERA 27FEB03	Tyco Electronics Corporation Harrisburg, PA 17105-3608	
		CHK J. HAVENER 28FEB03		
DIMENSIONS: INCHES		APVD J. HAVENER 28FEB03	NAME OSP BULKHEAD FEED THRU CABLE PLUG SOLDER CLAMP ATTACHMENT	
		PRODUCT SPEC	RESTRICTED TO	
TOLERANCES UNLESS OTHERWISE SPECIFIED: 0 PLC ± - 1 PLC ± - 2 PLC ± - 3 PLC ± - 4 PLC ± - ANGLES ± 1°		APPLICATION SPEC	SIZE A3	CAGE CODE 00779
MATERIAL -		FINISH 63	DRAWING NO 1059401-1	REV B
CUSTOMER DRAWING			SCALE 5:1	SHEET 1 OF 1