

6

5

4

3

2

1

E

E

D

D

C

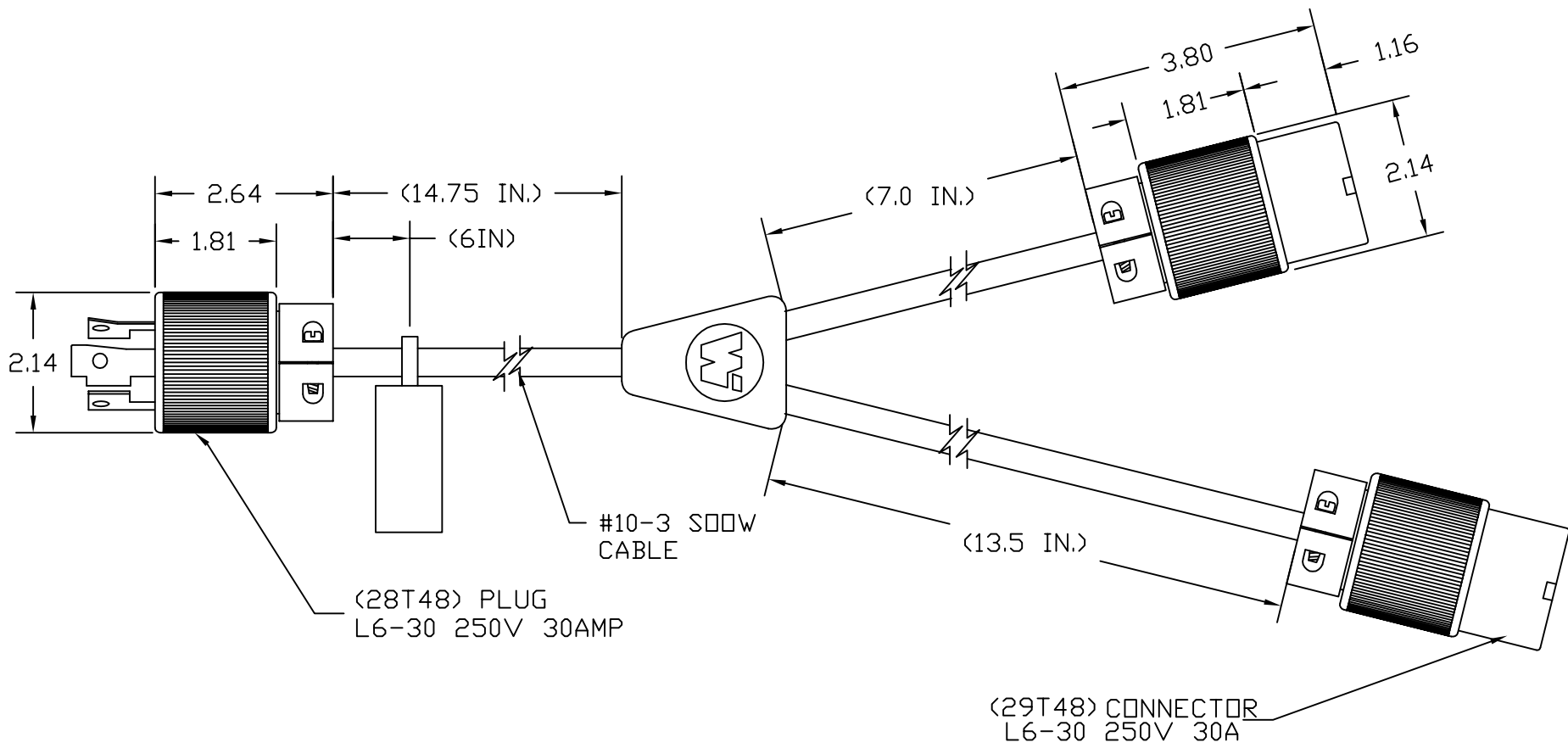
C

B

B

A

A



QUOTE #SPR6426	MATERIAL# 1301540109
CUSTOMER APPROVAL SIGNATURE & DATE	
SIGNATURE	DATE

CUSTOMER DRAWING  
 EC NO: WNA2009-0287  
 DRWN: HKNEELAN 2008/10/27  
 CHKD: HK 2008/10/27  
 APPR: DITLUS 2009/02/13

QUALITY SYMBOLS  
 ▽=0  
 ∇=0

GENERAL TOLERANCES (UNLESS SPECIFIED)

	mm	INCH
4 PLACES	±---	±---
3 PLACES	±---	±.005
2 PLACES	±---	±.010
1 PLACE	±---	±.020

ANGULAR ±.5°

DRAFT WHERE APPLICABLE MUST REMAIN WITHIN DIMENSIONS

DIMENSION STYLE INCH

DRAWN BY: HKNEELAN DATE: 2008/10/27

CHECKED BY: PH DATE: 2008/10/27

APPROVED BY: HK DATE: 2008/10/27

MATERIAL NO. 1301540109

SIZE A

SCALE NTS

DESIGN UNITS INCH

THIRD ANGLE PROJECTION

TITLE: MOLED-Y SPLICE NEMA L6-30 PGL & CONN. #10-3 VARIABLE LENGTH

MOLEX INCORPORATED

DOCUMENT NO. SD-130154-002

SHEET NO. 1 OF 1

THIS DRAWING CONTAINS INFORMATION THAT IS PROPRIETARY TO MOLEX INCORPORATED AND SHOULD NOT BE USED WITHOUT WRITTEN PERMISSION

6

5

4

3

2

1