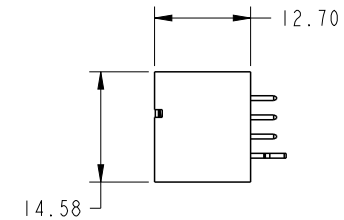
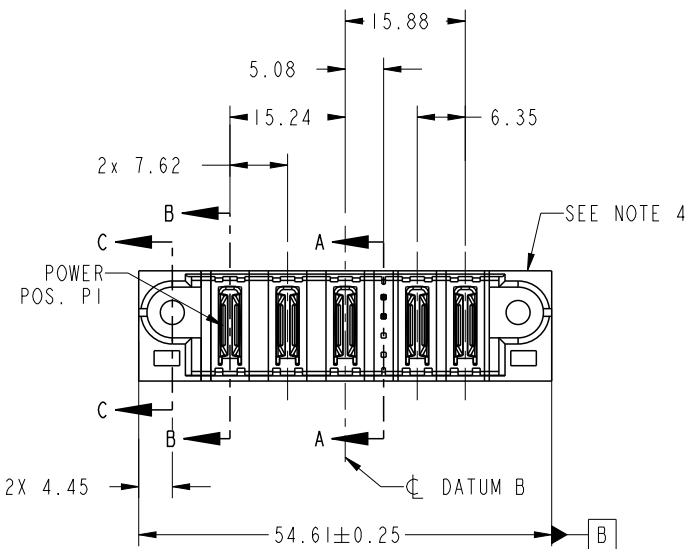


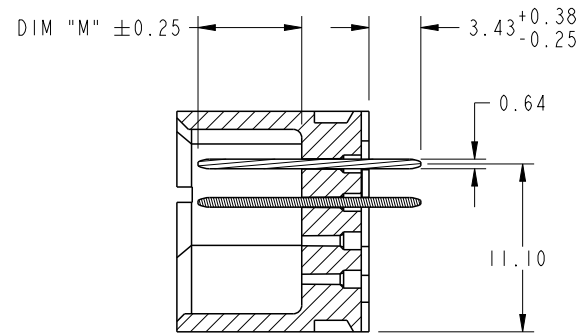
PRODUCT NO.	ROWS	POWER			S	POWER			
		E1	P1	P2		P3	1	P4	P5
51952-199PGSA NOTE ③	DCBA								



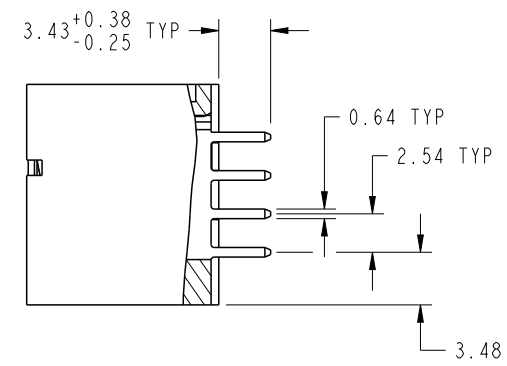
CODE	DIM "M" MATING LENGTH	CONTACT TYPE
PA	[N/A]	POWER
E	[6.86]	SIGNAL
HA	[N/A]	HOLD-DOWN
X	OMITTED	OMITTED

spec ref	See Notes			dr	Luo Weller	2013/08/20	projection 	MM ←→	size	A4	scale	1:1	
tolerance std	TOLERANCES UNLESS OTHERWISE SPECIFIED			eng	Luo Weller	2013/11/25			ecn no	ELX-DG-16345-1			
See Notes				chr	-	-			product family	PwrBlade		rel level	Released
surface	linear	0.X	±0.50	FCI	www.fci.com	title	3ACP + 4S + 2P VERTICAL STB HEADER	dwg no	51952-199PGSA	rev	B		
		0.XX	±0.25										
		0.XXX	±0.10										
	angular	0°	±2°	cat. no.	Product - Customer Drw				sheet 1 of 4				

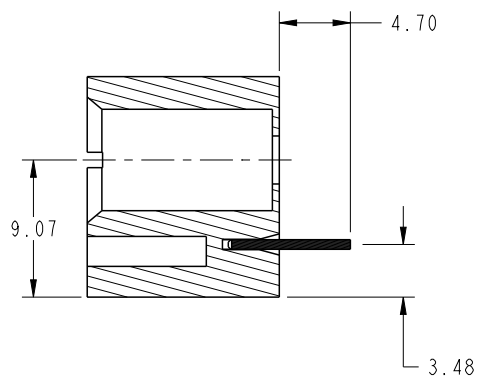
PRODUCT NUMBER
51952-199PGSA_
NOTE 3



SECTION A-A
SCALE 2:1



SECTION B-B
SCALE 2:1



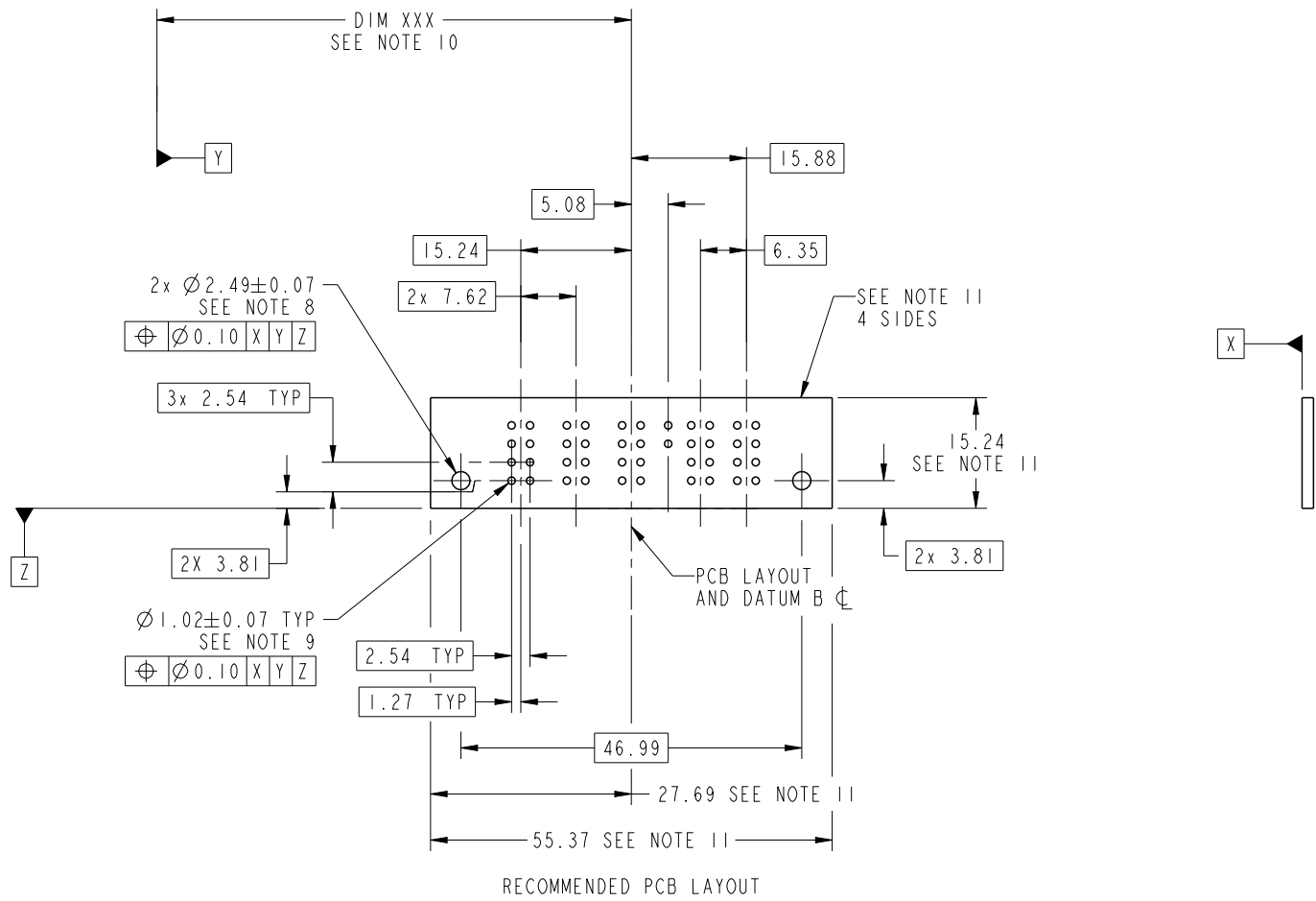
SECTION C-C
SCALE 2:1



Copyright FCI.

dr	Luo Weller	2013/08/20	projection 	MM ←→	size	A4	scale	1:1			
eng	Luo Weller	2013/11/25			ecn no	ELX-DG-16345-1					
chr	-	-			product family	PwrBlade	rel level	Released			
appr	Pei-Ming Zheng	2013/11/28	FCI		title	3ACP + 4S + 2P VERTICAL STB HEADER		dwg no	51952-199PGSA	rev	B
www.fci.com		cat. no.	Product - Customer Drw				sheet 2 of 4				

PRODUCT NUMBER
51952-199PGSA_
NOTE 3



RECOMMENDED PCB LAYOUT

dr	Luo Weller	2013/08/20	projection 	MM 	size	A4	scale	1:1	
eng	Luo Weller	2013/11/25			ecn no	ELX-DG-16345-1			
chr	-	-			rel level	Released			
appr	Pei-Ming Zheng	2013/11/28	product family	PwrBlade		rev	B		
		title			3ACP + 4S + 2P		dwg no		51952-199PGSA
www.fci.com		cat. no.			Product - Customer Drw		sheet 3 of 4		VERTICAL STB HEADER



Copyright FCI.

PRODUCT NUMBER

51952-199PGSA_
NOTE 3

NOTES:

1. DIMENSIONS AND TOLERANCES ARE IN ACCORDANCE WITH ASME Y14.5M, 1994 UNLESS OTHERWISE SPECIFIED.

CONNECTOR NOTES:

- ② HOUSING MATERIAL: UL 94 V-0 GLASS FILLED HIGH-TEMP THERMOPLASTIC
POWER CONTACT MATERIAL: COPPER ALLOY
SIGNAL PIN MATERIAL: COPPER ALLOY
- 3. SEE ITEM 1 & 2 IN PRINT 10125789 FOR PLATING SPEC OF 51952-199PGSA AND 51952-199PGSALF RESPECTIVELY.
- ④ MANUFACTURER'S NAME, DATE CODE AND OPTIONAL P/N TO APPEAR ON THIS SURFACE. THE P/N CAN BE OMITTED IF THERE IS NOT ENOUGH SPACE ON THIS SURFACE.
- 5. PRODUCT SPECIFICATION GS-12-149.
APPLICATION SPECIFICATION BUS-20-067.

6. PACKAGED IN TRAYS.

PCB NOTES:

- 7. ALL HOLE DIAMETERS ARE FINISHED HOLE SIZE.
- 8. MOUNTING HOLES, WHERE APPLICABLE, ARE UNPLATED.

⑨ $\varnothing 1.151 \pm 0.025$ DRILLED HOLES PLATED WITH 0.008 MIN SnPb OR Sn OVER .001 [0.03] TO 0.08 Cu PLATING TO ACHIEVE $\varnothing 1.02 \pm 0.07$ HOLE.

⑩ "DIM XXX" TO BE DETERMINED BY THE CUSTOMER.

⑪ CONNECTOR KEEP-OUT ZONE.

dr	Luo Weller	2013/08/20	projection 	MM 	size	A4	scale	1:1			
eng	Luo Weller	2013/11/25			ecn no	ELX-DG-16345-1					
chr	-	-			product family	PwrBlade	rel level	Released			
appr	Pei-Ming Zheng	2013/11/28	FCj		title	3ACP + 4S + 2P VERTICAL STB HEADER		dwg no	51952-199PGSA	rev	B
www.fci.com		cat. no.	Product - Customer Drw				sheet 4 of 4				



Copyright FCI.