

2-1644125-8 ✓ ACTIVE

FASTON | FASTON 250

TE Internal #: 2-1644125-8

Crimp Terminal Housings, Receptacle, Receptacle, 1 Position,
Straight, UL 94V-0, Natural, Polyamide, Mating Alignment, FASTON
250

[View on TE.com >](#)



Terminals & Splices > Terminal Housings, Insulation Sleeves & Blocks > Crimp Terminal Housings



Terminal Type: **Receptacle**

Connector & Housing Type: **Receptacle**

Number of Positions: **1**

Terminal Orientation: **Straight**

UL Flammability Rating: **UL 94V-0**

Features

Product Type Features

Sealable	No
Connector System	Wire-to-Board, Wire-to-Wire
Connector & Contact Terminates To	Wire & Cable
Connector & Housing Type	Receptacle

Configuration Features

Number of Positions	1
---------------------	---

Body Features

Primary Product Color	Natural
-----------------------	---------

Contact Features

Terminal Type	Receptacle
Terminal Orientation	Straight
Contact Mating Retention	Without

Mechanical Attachment



Mating Alignment Type	Polarization
Mating Alignment	With
Connector Mounting Type	Cable Mount (Free-Hanging)

Housing Features

Housing Material	Polyamide
------------------	-----------

Dimensions

Product Length	24.7 mm[.97 in]
----------------	-----------------

Usage Conditions

Operating Temperature Range	-25 – 170 °C[-13 – 338 °F]
-----------------------------	----------------------------

Industry Standards

UL Flammability Rating	UL 94V-0
------------------------	----------

Packaging Features

Packaging Quantity	7500
--------------------	------

Product Compliance

[For compliance documentation, visit the product page on TE.com>](#)

EU RoHS Directive 2011/65/EU	Compliant
EU ELV Directive 2000/53/EC	Compliant
China RoHS 2 Directive MIIT Order No 32, 2016	No Restricted Materials Above Threshold
EU REACH Regulation (EC) No. 1907/2006	Current ECHA Candidate List: JUNE 2023 (235) Candidate List Declared Against: JUNE 2023 (235) Does not contain REACH SVHC
Halogen Content	Not Low Halogen - contains Br or Cl > 900 ppm.
Solder Process Capability	Not reviewed for solder process capability

Product Compliance Disclaimer

This information is provided based on reasonable inquiry of our suppliers and represents our current actual knowledge based on the information they provided. This information is subject to change. The part numbers that TE has identified as EU RoHS compliant have a maximum concentration of 0.1% by weight in homogenous materials for lead, hexavalent chromium, mercury, PBB, PBDE, DBP, BBP, DEHP, DIBP, and 0.01% for cadmium, or qualify for an exemption to these limits as defined in the Annexes of Directive 2011/65/EU (RoHS2). Finished electrical and electronic equipment products will be CE marked as required by Directive 2011/65/EU. Components may not be CE marked. Additionally, the part numbers that TE has identified as EU ELV compliant have a maximum concentration of 0.1% by weight in homogenous materials for lead, hexavalent chromium, and mercury, and 0.01% for cadmium, or qualify for an exemption to these limits as defined in the Annexes of Directive 2000/53/EC (ELV). Regarding the REACH Regulation, the information TE provides

on SVHC in articles for this part number is based on the latest European Chemicals Agency (ECHA) 'Guidance on requirements for substances in articles' posted at this URL: <https://echa.europa.eu/guidance-documents/guidance-on-reach>

Compatible Parts



TE Part # 2-1644125-3
SLEEVE ESPRING 250 NYLON DARK GRY




TE Part # 2-1644125-4
SLEEVE EPRING 250 PA DARK GRY




TE Part # 9-1644125-4
ESPRING SLEEVE 250 HIGH TEMP NYLON BLK


Also in the Series | FASTON 250



Compression Connectors(4)




Crimp Terminal Housings(142)




Insertion & Extraction Tools(6)



Magnet Wire Terminals(1)



PCB Terminals(135)



Quick Disconnects(445)



Splices(4)

Customers Also Bought



TE Part #175149-1
UNIVERSAL POWER CONN TAB



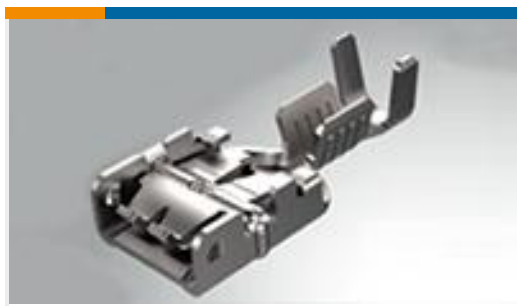
TE Part #176281-1
UNIV POWER CAP HSG 1P F/H



TE Part #175151-1
AMP UNIVERSAL POWER REC CONT.



TE Part #63933-2
250 PL MKIII REC. 22-18AWG TPBR



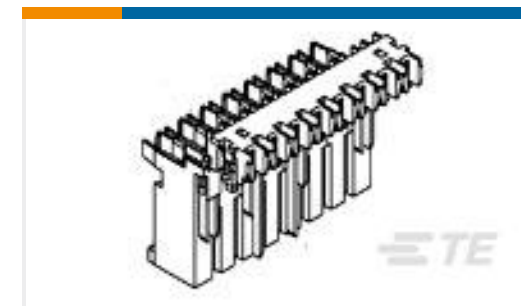
TE Part #336076-3
250 FASTON,E-SPRING REC.,17-14
AWG,PTBR



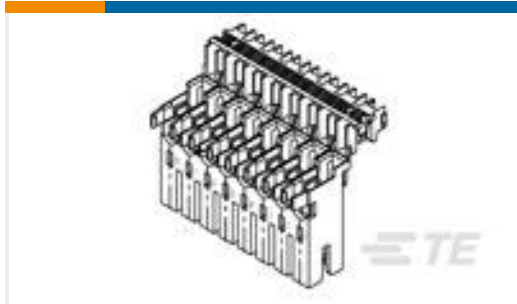
TE Part #63854-2
250 PL MKIII REC. 18-14AWG TPBR



TE Part #336075-3
250 FASTON,REC.,20-16 AWG,PTBR



TE Part #1-282002-5
AMP MONO-SHAPE TAB CONN



TE Part #1-282042-3
AMP MONO-SHAPE P.C.B.CONN2P.
GL



TE Part #284930-4
DUOPLUG Standard, female conn.

Documents

Product Drawings

E SPRING .250 (6.3 MM) RECEPTACLE

English

CAD Files

3D PDF

3D

Customer View Model

[ENG_CVM_CVM_2-1644125-8_E_c-2-1644125-8-e.2d_dxf.zip](#)

English

Customer View Model

[ENG_CVM_CVM_2-1644125-8_E_c-2-1644125-8-e.3d_igs.zip](#)

English

Customer View Model

[ENG_CVM_CVM_2-1644125-8_E_c-2-1644125-8-e.3d_stp.zip](#)

English

By downloading the CAD file I accept and agree to the [Terms and Conditions](#) of use.

Datasheets & Catalog Pages

E-Spring Flyer

English

Product Specifications

6,35 E-SPRING CONTACT RECEPTACLES SLEEVES

English

Application Specification

English

2-1644125-8

Crimp Terminal Housings, Receptacle, Receptacle, 1 Position, Straight, UL 94V-0,
Natural, Polyamide, Mating Alignment, FASTON 250



Product Environmental Compliance

[MD_2-1644125-8_060520181159_dmtec](#)

English

[MD_2-1644125-8_060520181159_dmtec](#)

English